



Product Name: 8 ohm 0,5w 28\*4,4 plastic

Model Name : **FBF28-8FE**

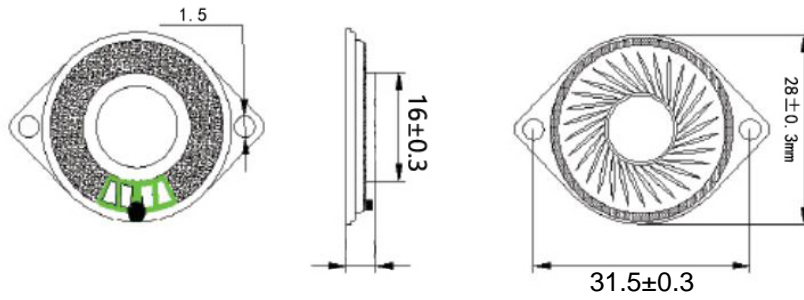
### SPEAKER SPECIFICATION

No.	Item	Symbol	Unit	Specification	Condition
1	Dimension		mm	28±0.2 mm 4±0.2 mm( h )	Refer to attached drawing in details
2	Nominal input Power		W	0.5	Speaker is probably damaged if the nominal input power is more than 0.5W
3	Max. Input Power		W	0.5	Should not be audible buzz and rattle at (0.5W) RMS sine wave for one minute. Between (150Hz to 3KHz )
4	Impedance	Ω	ohm	8 ± 15%	At 150kHz 3v
5	Resonance Frequency	Fo	Hz	650± 20%	At 2V
6	Output S.P.L.		dB	88± 3dB(0.1w/10cm)	At 0.8k,1.2k,1.5k,2.83kHz (Average figures)
7	Frequency Rang		Hz	650---15K	Output S.P.L. ±10dB
8	Distortion		%	10% Max.	At 2kHz 0.5 W
9	Polarity			When a positive D.C Voltage is applied to the terminal Marked (+) or red, the diaphragm should move to the front.	
10	Operating temp.		°C	-30~+85	
11	Buzze & Rattle				Not be audible at 7Vsine wave between fo ~ 10KHz

1.

### Dimension ( $\pm 0.2\text{mm}$ )

Dimension (mm)



2.

### Frequency response curve

Frequency response curve

