



AMP MCP Connector System

TE Internal #: 828922-2

Automotive Seals & Cavity Plugs, Sealing Plug, Cavity Diameter .212 in [5.4 mm], Silicone, Green, AMP MCP Connector System

[View on TE.com >](#)

Connectors > Automotive Connectors > Automotive Seals & Cavity Plugs



Connector Seal Type: **Sealing Plug**

Cavity Diameter: **5.4 mm [.212 in]**

Seal Material: **Silicone**

Primary Product Color: **Green**

Features

Product Type Features

Connector Seal Type	Sealing Plug
---------------------	--------------

Body Features

Seal Material	Silicone
Primary Product Color	Green

Dimensions

Cavity Diameter	5.4 mm[.212 in]
-----------------	-----------------

Packaging Features

Packaging Quantity	60000
Packaging Method	Box

Product Compliance

[For compliance documentation, visit the product page on TE.com>](#)

EU RoHS Directive 2011/65/EU	Compliant
EU ELV Directive 2000/53/EC	Compliant
China RoHS 2 Directive MIIT Order No 32, 2016	No Restricted Materials Above Threshold

EU REACH Regulation (EC) No. 1907/2006

Current ECHA Candidate List: JUNE 2022 (224)

Candidate List Declared Against: JUNE 2022 (224)

Does not contain REACH SVHC

Halogen Content

Low Halogen - Br, Cl, F, I < 900 ppm per homogenous material. Also BFR/CFR/PVC Free

Solder Process Capability

Not applicable for solder process capability

Product Compliance Disclaimer

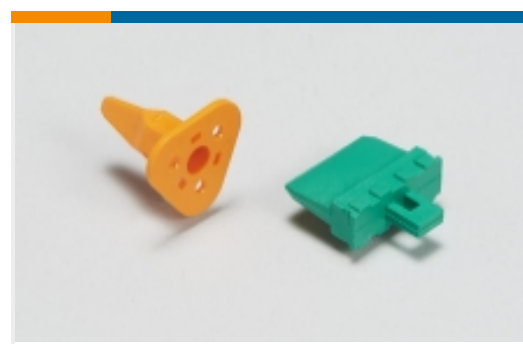
This information is provided based on reasonable inquiry of our suppliers and represents our current actual knowledge based on the information they provided. This information is subject to change. The part numbers that TE has identified as EU RoHS compliant have a maximum concentration of 0.1% by weight in homogenous materials for lead, hexavalent chromium, mercury, PBB, PBDE, DBP, BBP, DEHP, DIBP, and 0.01% for cadmium, or qualify for an exemption to these limits as defined in the Annexes of Directive 2011/65/EU (RoHS2). Finished electrical and electronic equipment products will be CE marked as required by Directive 2011/65/EU. Components may not be CE marked. Additionally, the part numbers that TE has identified as EU ELV compliant have a maximum concentration of 0.1% by weight in homogenous materials for lead, hexavalent chromium, and mercury, and 0.01% for cadmium, or qualify for an exemption to these limits as defined in the Annexes of Directive 2000/53/EC (ELV). Regarding the REACH Regulation, the information TE provides on SVHC in articles for this part number is based on the latest European Chemicals Agency (ECHA) 'Guidance on requirements for substances in articles' posted at this URL: <https://echa.europa.eu/guidance-documents/guidance-on-reach>

Compatible Parts

Also in the Series | **AMP MCP Connector System**



Automotive Connector Caps & Covers (24)



Automotive Connector Locks & Position Assurance(7)



Automotive Housings(352)



Automotive Seals & Cavity Plugs(6)



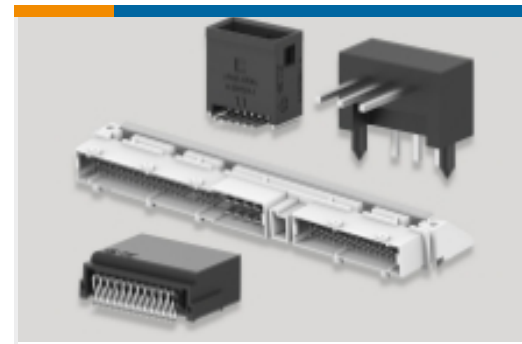
Automotive Terminals(125)



Insertion & Extraction Tools(13)



Other Automotive Connector Accessories(2)



PCB Headers & Receptacles(29)

Customers Also Bought



TE Part #1418918-1
MULTI CORE CABLE ADAPTER 90 DEGREE



TE Part #1-480351-0
01P CMNL CAP HSG NATL



TE Part #174777-1
PL 110 REC 20-16 AWG 0.25 X 10.4 PTBR



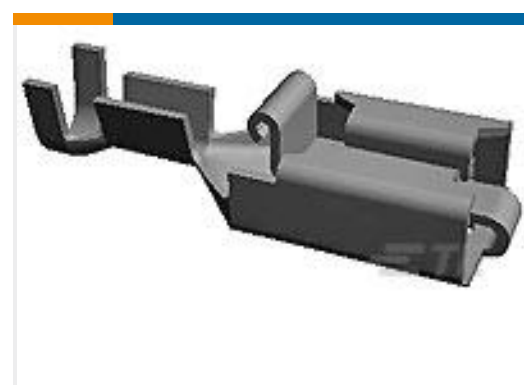
TE Part #963531-1
BLINDSTOPFEN



TE Part #929989-7
ROUND CONNECTOR SYSTEM, PIN AND SOCKET



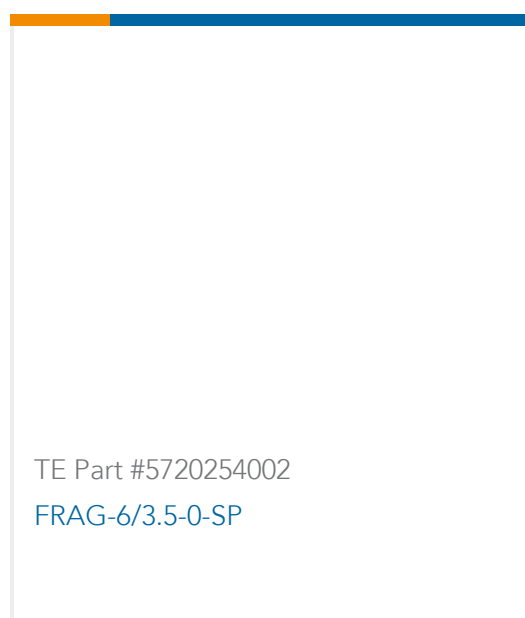
TE Part #1241380-2
AMP MCP 1.5K, CONTACT, SWS



TE Part #160759-3
250 PL MKI REC. 20-15AWG TPBR



TE Part #2819647-1
DT06-4S-CE13



TE Part #5720254002
FRAG-6/3.5-0-SP

Documents



Product Drawings

CAVITY PLUG 2,5MM S

English

CAD Files

3D PDF

3D

Customer View Model

[ENG_CVM_CVM_828922-2_A.2d_dxf.zip](#)

English

Customer View Model

[ENG_CVM_CVM_828922-2_A.3d_igs.zip](#)

English

Customer View Model

[ENG_CVM_CVM_828922-2_A.3d_stp.zip](#)

English

By downloading the CAD file I accept and agree to the [Terms and Conditions](#) of use.

Datasheets & Catalog Pages

HDSCS Catalog

English

CONNECTOR SELECTOR

English

Product Specifications

Product Specification

Japanese

Product Specification

English

Instruction Sheets

Instruction Sheet (non U.S.)

English

Instruction Sheet (non U.S.)

Japanese