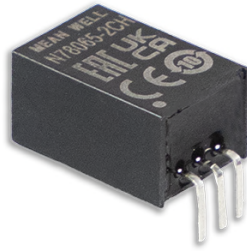
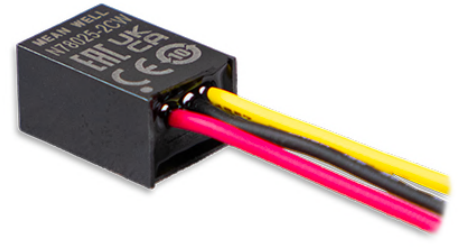


(C Type)



(CH Type)



(CW Type)



## ■ Features

- Compact size
- Pin-out compatible with LM78xx / LM79xx linear regulators
- High efficiency up to 96%, no heatsink required
- Wide input range up to 32V
- Support negative output
- Operating temperature range -40 ~ +85°C
- Comply to BS EN/EN55032 radiated Class B without additional components
- Protections: Short circuit / Overload / Over temperature
- Low ripple and noises
- 3 years warranty

## ■ Applications

- Voltage step down
- Power supplies
- Industrial PC
- Digital set-top boxes
- Data communications
- Microcontroller related applications
- Point of load regulator in distributed power system

## ■ GTIN CODE

MW Search: <https://www.meanwell.com/serviceGTIN.aspx>

## ■ Description

N78-2 series converters is high efficiency switching regulators can suit to replace LM78xx/LM79xx linear regulators and its pin-out can be compatible with LM78xx / LM79xx IC. One of the key features is the model can be chosen positive or negative output voltage according to the application. It also features high efficiency up to 96% meant low power loss, wide working temperature range of -40°C up to +85°C with no additional heat sink, compliance with EN55032 radiated Class B without external components, and so on.

## ■ Model Encoding

**N 78 03 - 2 C**

- C: With vertical mount
- CH: With Horizontal mount
- CW: Casing type with Wire

Output current (2A)

Output voltage (1.8V/±2.5V/±3.3V/±5V/±6.5V/±9V/±12V/±15V)

Series name

Non-isolated

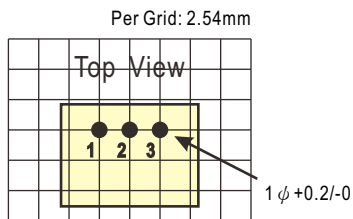
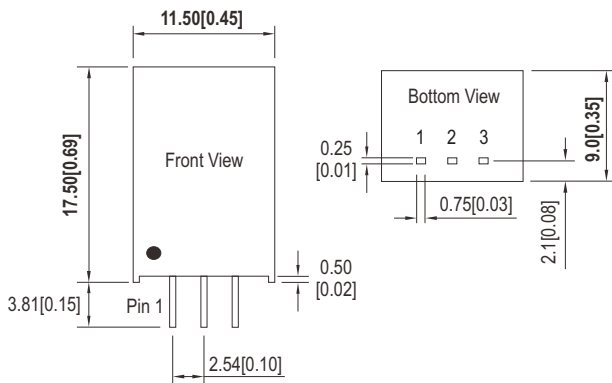
MODEL SELECTION TABLE							
ORDER NO.	INPUT			OUTPUT		EFFICIENCY @Vin min. (NOTE 3.)	CAPACITOR LOAD (MAX.)
	INPUT VOLTAGE (RANGE) (NOTE 2.)	INPUT CURRENT		OUTPUT VOLTAGE	OUTPUT CURRENT		
		NO LOAD	FULL LOAD				
N78018-2□	12, 24V (4.5 ~ 28V)	1mA	964mA	1.8V	0 ~ 2000mA	83%	2000μF
N78025-2□	12, 24V (4.5 ~ 32V)	1mA	1248mA	2.5V	0 ~ 2000mA	88%	2000μF
	12, 24V (8 ~ 32V)	1mA	363mA	-2.5V	0 ~ 1000mA	86%	1000μF
N7803-2□	12, 24V (6 ~ 32V)	1mA	1279mA	3.3V	0 ~ 2000mA	89%	1800μF
	12, 24V (8 ~ 31V)	1mA	485mA	-3.3V	0 ~ -1000mA	85%	1000μF
N7805-2□	12, 24V (8 ~ 32V)	1mA	1344mA	5V	0 ~ 2000mA	92%	1000μF
	12, 24V (8 ~ 30V)	1mA	727mA	-5V	0 ~ -1000mA	86%	680μF
N78065-2□	12, 24V (10 ~ 32V)	1mA	1413mA	6.5V	0 ~ 2000mA	92%	1000μF
	12, 24V (8 ~ 29V)	1mA	956mA	-6.5V	0 ~ -1000mA	85%	680μF
N7809-2□	24V (13 ~ 32V)	1mA	1458mA	9V	0 ~ 2000mA	95%	680μF
	12, 24V (8 ~ 26V)	1mA	1047mA	-9V	0 ~ -800mA	86%	330μF
N7812-2□	24V (16 ~ 32V)	1mA	1563mA	12V	0 ~ 2000mA	96%	470μF
	12V (8 ~ 23V)	1mA	1035mA	-12V	0 ~ -600mA	87%	220μF
N7815-2□	24V (18 ~ 30V)	1mA	1739mA	15V	0 ~ 2000mA	96%	470μF
	12V (8 ~ 20V)	1mA	1293mA	-15V	0 ~ -600mA	87%	220μF

SPECIFICATION				
INPUT	VOLTAGE RANGE	32V max.(Please refer to page 2)		
	SURGE VOLTAGE (100ms max.)	36V max.		
	FILTER	Capacitor		
	PROTECTION	Fuse recommended. 3000mA Slow-Blow Type for all models		
	INTERNAL POWER DISSIPATION	1250mW		
OUTPUT	VOLTAGE ACCURACY	±3.0% max.		
	RATED POWER	3.6W ~ 30W		
	RIPPLE & NOISE <small>Note.4</small>	100mVp-p max.		
	LINE REGULATION <small>Note.5</small>	1.8 ~ 3.3V: ±0.5%    others: ±0.4%		
	LOAD REGULATION <small>Note.6</small>	1.8 ~ 3.3V: ±1.5%    others: ±1.0%		
	SWITCHING FREQUENCY (Typ.)	400KHz		
PROTECTION	SHORT CIRCUIT	Continuous, automatic recovery		
	OVERLOAD	150% ~ 300%		
		Protection type : recovers automatically after fault condition is removed		
OVER TEMPERATURE	Protection type : shut down o/p voltage, automatic recovery			
ENVIRONMENT	COOLING	Free-air convection		
	WORKING TEMP.	-40 ~ +85°C (Refer to "Derating Curve")		
	CASE TEMPERATURE	+110°C max.		
	WORKING HUMIDITY	5% ~ 95% RH non-condensing		
	STORAGE TEMP., HUMIDITY	-55 ~ +125°C, 10 ~ 95% RH non-condensing		
	TEMP. COEFFICIENT	0.03% / °C (0 ~ 60°C)		
	SOLDERING TEMPERATURE	1.5mm from case of 3 ~ 5sec./265°C max.		
	VIBRATION	10 ~ 500Hz, 2G 10min./1cycle, period for 60min. each along X, Y, Z axes		
SAFETY & EMC <small>(Note.7)</small>	SAFETY STANDARDS	EAC TP TC 020/2011 approved		
	ISOLATION VOLTAGE	Non-Isolation		
	EMC EMISSION	<b>Parameter</b>	<b>Standard</b>	<b>Test Level / Note</b>
		Conducted	BS EN/EN55032(CISPR32)	N/A
		Radiated	BS EN/EN55032(CISPR32)	Class B
	EMC IMMUNITY	<b>Parameter</b>	<b>Standard</b>	<b>Test Level / Note</b>
		ESD	BS EN/EN61000-4-2	Level 3, ±8KV air discharge
		Radiated Susceptibility	BS EN/EN61000-4-3	Level 2, 3V/m
		EFT/Bursts	BS EN/EN61000-4-4	Level 1, 0.5KV
		Surge	BS EN/EN61000-4-5	Level 1, 0.5KV Line-Line
Conducted		BS EN/EN61000-4-6	Level 2, 3Vrms	
OTHERS	MTBF	1600Khrs MIL-HDBK-217F(25°C)		
	DIMENSION (L*W*H)	11.5mm*9.0mm*17.5mm		
	CASE MATERIAL	Non-Conductive plastic (UL 94V-0 rated)		
	PACKING	C type : 4g ; 42pcs/per tube, 3360pcs/80 tube/per carton CH type : 4g ; 150pcs/Box, 1800pcs/12 Box/per carton CW type : 5.5g ; 70pcs/Box, 840pcs/12 Box/per carton		
NOTE	<p>1.All parameters are specified at normal input, rated load, 25°C 70% RH ambient.                  2.For input voltages higher than 30VDC, an input capacitor (22µF/50V) is required.                  3.Efficiency and input current are measured at minimum input voltage and full load.                  4.Ripple &amp; noise are measured at 20MHz by using a 12" twisted pair terminated with a 0.1µf &amp; 47µf capacitor.                  5.Line regulation is measured from low line to high line at rated load.                  6.Load regulation is measured from 10% to 100% rated load.                  7.The final equipment must be re-confirm that it still meet EMC directives. For guidance on how to perform these EMC tests, please refer to "EMI testing of component power supplies."(as available on <a href="http://www.meanwell.com">http://www.meanwell.com</a>)                  ※ Product Liability Disclaimer : For detailed information, please refer to <a href="https://www.meanwell.com/serviceDisclaimer.aspx">https://www.meanwell.com/serviceDisclaimer.aspx</a></p>			

**Mechanical Specification**

- All dimensions in mm(inch)
- Tolerance: x.x or x.xx±0.5mm(x.x or x.xx±0.01")
- Pin size is: 0.75\*0.25±0.1mm (±0.003")

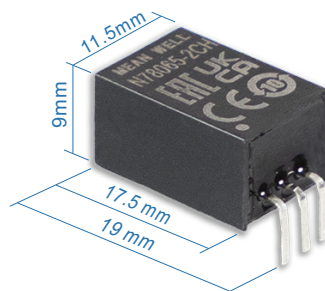
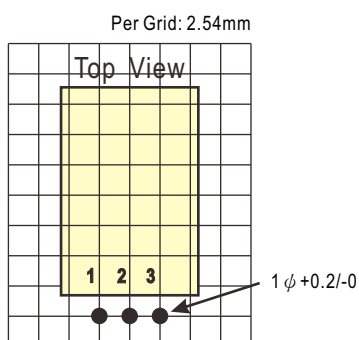
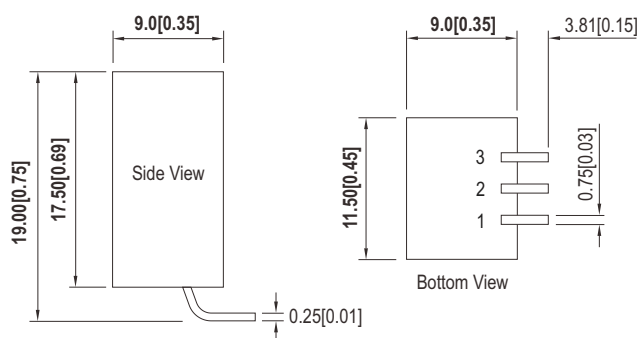
※ C Type:



**Plug Assignment**

Pin-Out		
Pin No.	N78xx - 2C	
	+Output	-Output
1	+Vin	+Vin
2	GND	-Vout
3	+Vout	GND

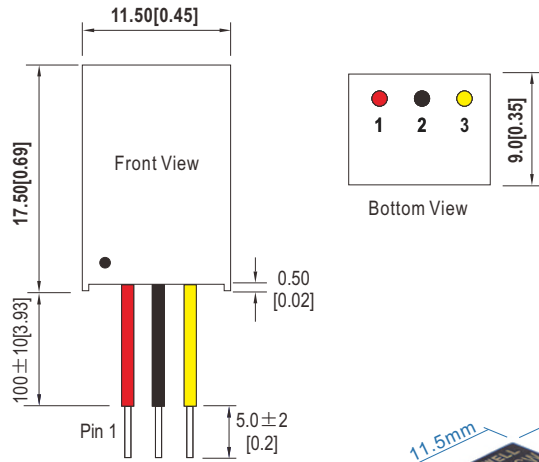
※ CH Type:



**Plug Assignment**

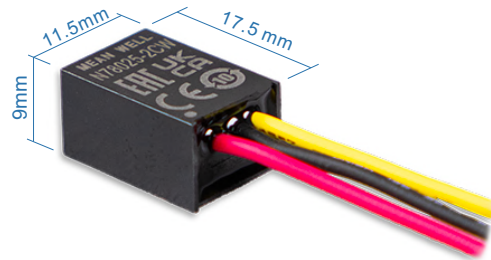
Pin-Out		
Pin No.	N78xx - 2CH	
	+Output	-Output
1	+Vin	+Vin
2	GND	-Vout
3	+Vout	GND

※ CW Type:  
(Casing type with Wire)

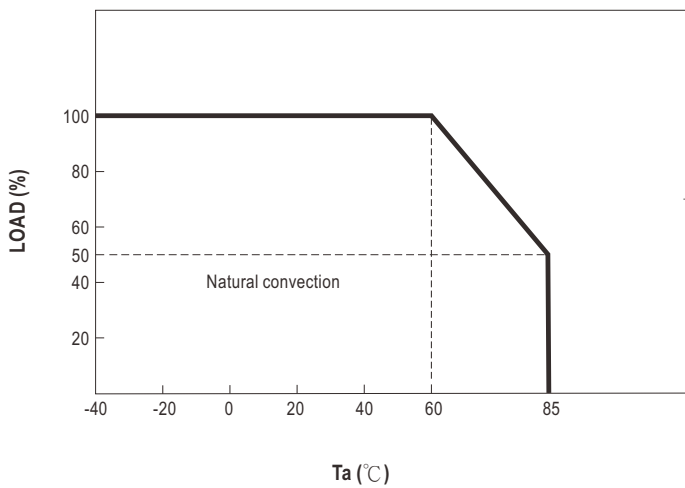


■ Plug Assignment

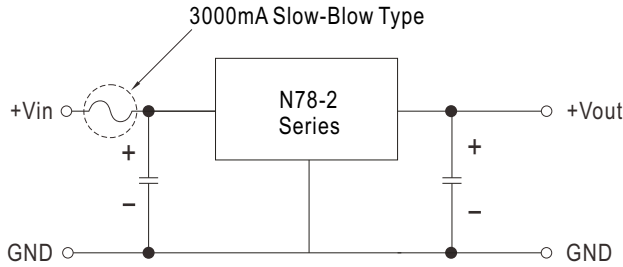
Pin-Out		
Pin No.	N78xx - 2CW	
	+Output	-Output
1 (Red)	+Vin	+Vin
2 (Black)	GND	-Vout
3 (Yellow)	+Vout	GND



■ Derating Curve

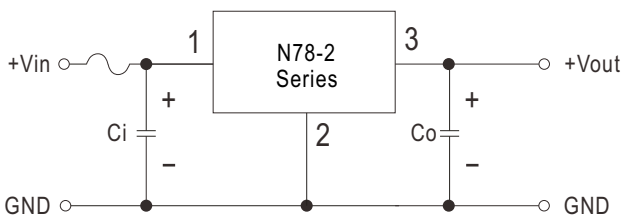


■ External Input Fuse Recommended

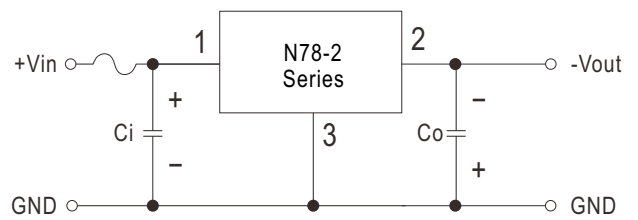


■ Positive or Negative Typical Applications

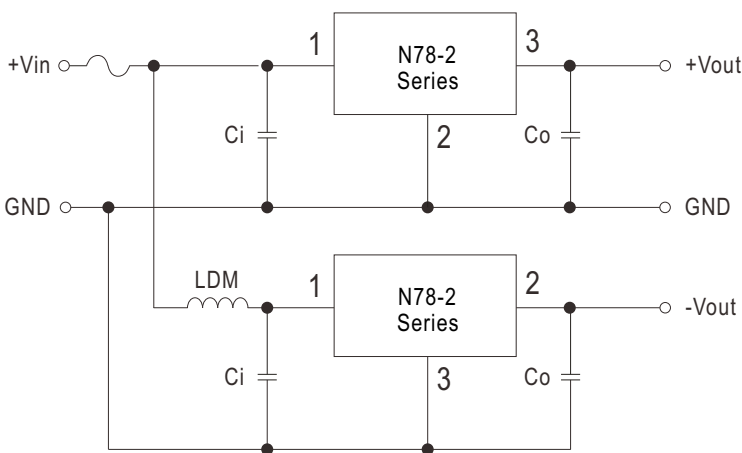
Positive output application circuit



Negative output application circuit



Positive and negative output paralleling application circuit



External capacitor table

Model No.	Ci (MLCC)	Co (MLCC)
N78018-2 <input type="checkbox"/>	10μF/50V	22μF/10V
N78025-2 <input type="checkbox"/>		
N7803-2 <input type="checkbox"/>		
N7805-2 <input type="checkbox"/>		
N78065-2 <input type="checkbox"/>		22μF/25V
N7809-2 <input type="checkbox"/>		
N7812-2 <input type="checkbox"/>		
N7815-2 <input type="checkbox"/>		

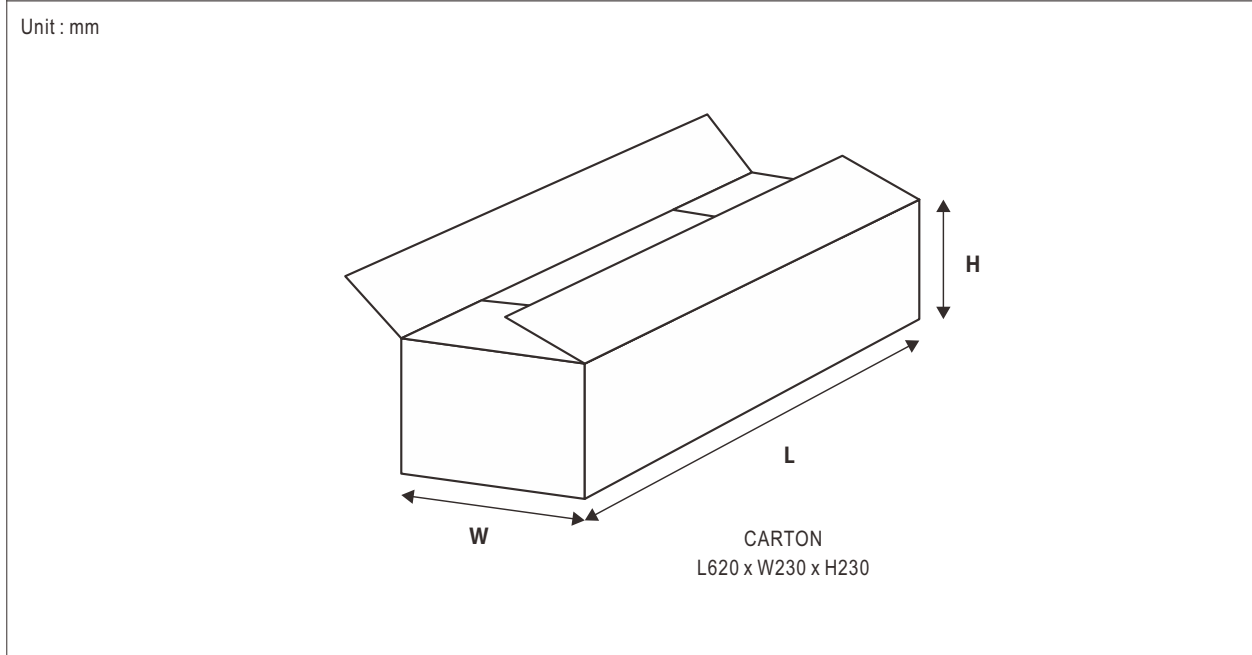
※ In using parallel application circuit, input voltage range should be taken notice of and a 10μH LDM component is recommended to reduce the interference.

**Packing**

Standard Packing	N78-2C			
	MPQ Per Tube (PCS)	One Tube G.W.	Max. Q'TY/ Carton(PCS)	One Carton G.W.
<p>Unit : mm</p> <p>Product</p> <p>Tube Plugs</p> <p>520</p> <p>10.56</p> <p>5</p> <p>25.06</p> <p>19.76</p> <p>Tube pattern</p>	42	200g	3360	17Kg
<p>Unit : mm</p> <p>Product</p> <p>Box</p> <p>220</p> <p>45</p> <p>195</p> <p>Antistatic Foam</p> <th colspan="4">N78-2CH</th>	N78-2CH			
	MPQ per(Box)	One Box G.W.	Max. Q'TY/ Carton(PCS)	One Carton G.W.
<p>12</p> <p>25</p>	150pcs	710g	1800	9.32Kg

Standard Packing	N78-2CW			
	MPQ per(Box)	One Box G.W.	Max. Q'TY/ Carton(PCS)	One Carton G.W.
<p>Unit : mm</p>	70	460g	840	6.8Kg

**Standard Packing**



**Installation Manual**

Please refer to : <http://www.meanwell.com/manual.html>