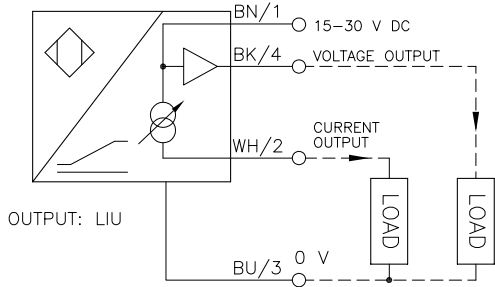
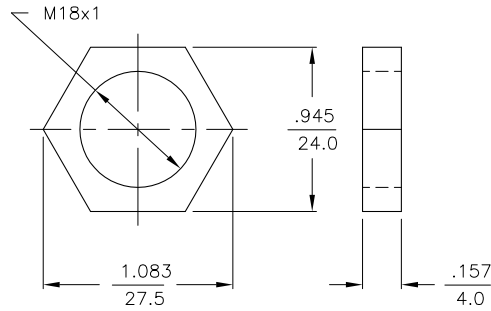


WIRING DIAGRAM

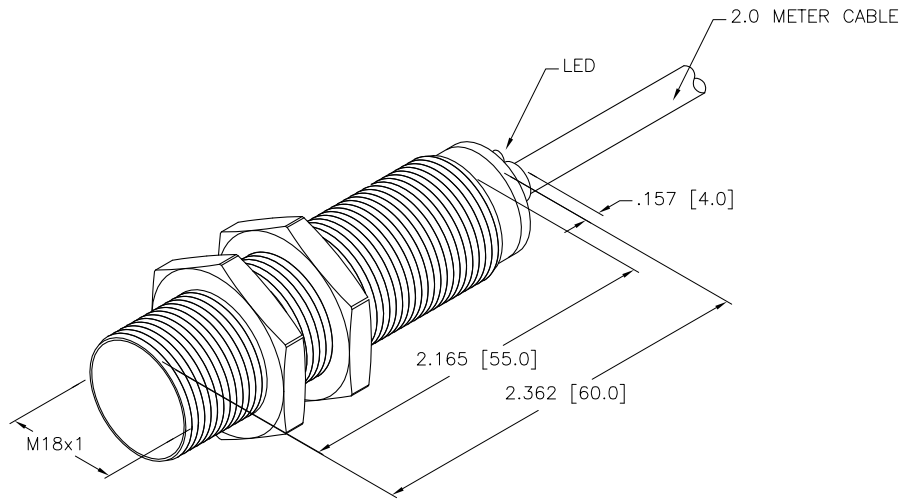


LOCKNUT LN-M18

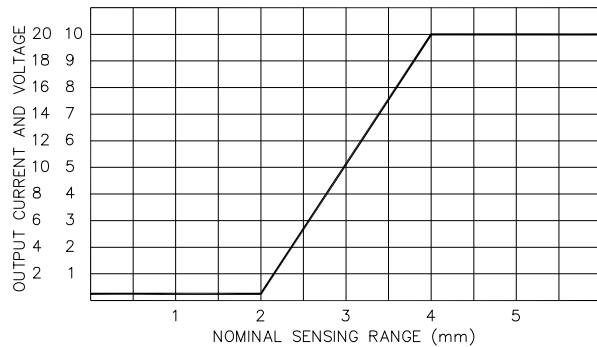


SPECIFICATIONS

|                                |   |
|--------------------------------|---|
| OPERATING VOLTAGE              | 15-30 VDC                                   |
| RIPPLE                         | ≤ 10%                                       |
| NO-LOAD CURRENT                | ≤ 8.0 mA                                    |
| TARGET (MILD STEEL)            | 18 mm x 18 mm x 1                           |
| VOLTAGE OUTPUT                 | 0-10 V/R <sub>L</sub> ≥ 4.7 kΩ              |
| CURRENT OUTPUT                 | 0-20 mA/R <sub>L</sub> ≤ 500Ω               |
| LINEARITY TOLERANCE            | ±3% of FULL SCALE                           |
| TIME DELAY BEFORE AVAILABILITY | ≤ 80 ms                                     |
| REVERSE POLARITY PROTECTION    | INCORPORATED                                |
| WIRE-BREAK PROTECTION          | INCORPORATED                                |
| POWER-ON EFFECT PROTECTION     | INCORPORATED                                |
| SHORT-CIRCUIT PROTECTED        | YES   |
| PROTECTION AGAINST TRANSIENTS  | 2 kV, 1ms, 1 kΩ                             |
| OPERATING TEMPERATURE          | -10°C to +70°C (+14°F to +158°F)            |
| ENCLOSURE                      | MEETS NEMA 1, 3, 4, 6, 13 AND IEC IP67      |
| SHOCK                          | 30 g, 11 ms                                 |
| VIBRATION                      | 55 Hz, 1 mm AMPLITUDE (IN ALL THREE PLANES) |
| SENSING RANGE (LINEAR PORTION) | 2-4 mm = .079-.157"                         |
| REPEATABILITY                  | ≤ 2% of FULL SCALE                          |
| EMBEDDABLE (SHIELDED)          | YES   |
| TEMPERATURE TOLERANCE          | ±5% of FULL SCALE                           |
| READING RATE FREQUENCY         | 200 Hz (10%-90% of FULL SCALE)              |



TYPICAL RESPONSE CURVE



|  |  |   |   |   |                                |
|--|--|---|---|---|--------------------------------|
| RELATED DOCUMENTS<br>1.<br>2.<br>3.<br>4.  | 3RD ANGLE PROJECTION<br>                         | THIS DRAWING IS PROPERTY OF TURCK INC. USE OF THIS DOCUMENT WITHOUT WRITTEN PERMISSION IS PROHIBITED. |   | 3000 CAMPUS DRIVE<br>MINNEAPOLIS, MN 55441<br>1-800-544-7769<br>(763) 553-7300<br>(763) 553-0708 fax<br>turck.com |                                |
|  | MATERIAL<br>BRASS BARREL<br>END CAPS MADE OF ABS | ALL DIMENSIONS DISPLAYED ON THIS DRAWING ARE FOR REFERENCE ONLY                                       | DRFT JMS<br>DATE 2/15/96                          | DESCRIPTION<br>Bi5-M18-LIU  |                                |
| FINISH<br>COPPER/NICKEL/<br>CHROME PLATING | CONTACT TURCK FOR MORE INFORMATION               | DSGN<br>SCALE 1=1.0   | UNIT OF MEASUREMENT<br><b>INCH [ MILLIMETER ]</b> |   | IDENTIFICATION NO.<br>M1536000 |
| DO NOT SCALE THIS DRAWING                  |  | FILE: M1536000  |   | REV<br>B  | SHEET 1 OF 1                   |

|     |                              |     |          |         |
|-----|------------------------------|-----|----------|---------|
| B   | UPDATE TO CURRENT TITLEBLOCK | RDS | 07/16/02 | 5504    |
| REV | DESCRIPTION                  | BY  | DATE     | ECO NO. |