

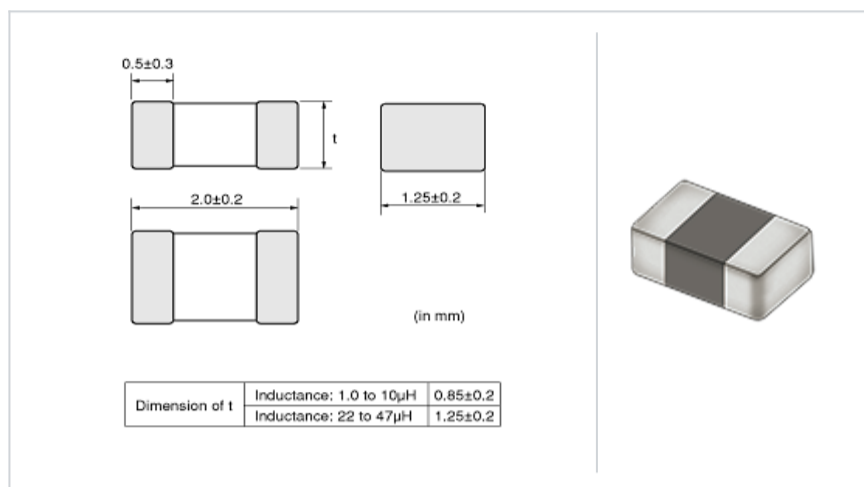
# LQM21DN470N00#

"#" indicates a package specification code.



< List of part numbers with package codes >  
LQM21DN470N00L , LQM21DN470N00K , LQM21DN470N00B

## Shape



L size	2.0 $\pm$ 0.2mm
W size	1.25 $\pm$ 0.2mm
T size	1.25 $\pm$ 0.2mm
Size code in inch (mm)	0805 (2012)

## Specifications

Inductance	47 $\mu$ H $\pm$ 30%
Inductance test frequency	1MHz
Rated current (I <sub>sat</sub> ) (Based on Inductance change)	7.0mA
Rated current (I <sub>temp</sub> ) (Based on Temperature rise)	7.0mA
Max. of DC resistance	1.20
Self resonance frequency (min.)	7.5MHz
Operating temperature range (Self-temperature rise is not included)	-40 ~ 85
Class of magnetic shield	Magnetic shield of ferrite

## References

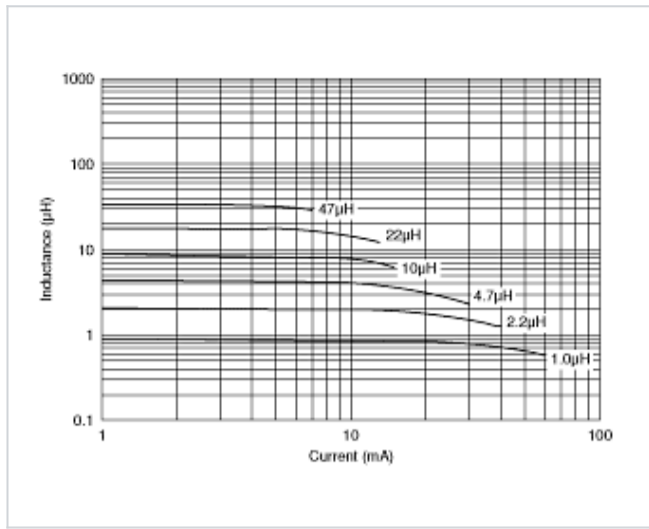
Packaging code	Specifications	Minimum quantity
L	180mm Embossed taping	3000
K	330mm Embossed taping	10000
B	Packing in bulk	1000

Mass (Typ.)	
1 piece	0.016g

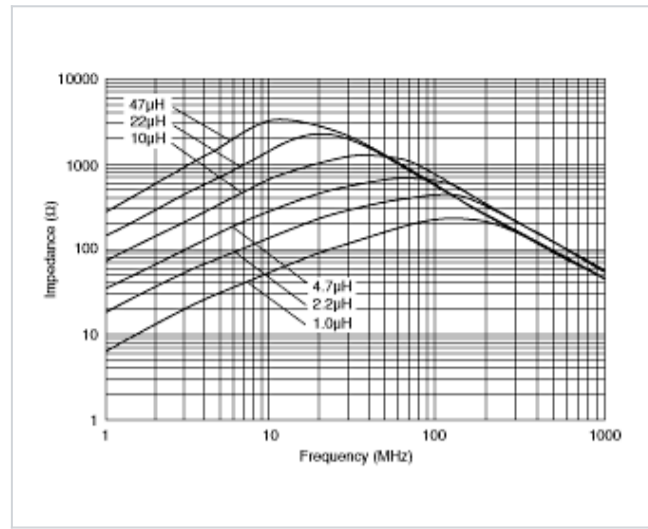
### ⚠ Attention

- 1.This datasheet is downloaded from the website of Murata Manufacturing Co., Ltd. Therefore, it ' s specifications are subject to change or our products in it may be discontinued without advance notice. Please check with our sales representatives or product engineers before ordering.
- 2.This datasheet has only typical specifications because there is no space for detailed specifications. Therefore, please review our product specifications or consult the approval sheet for product specifications before ordering.

▪ Inductance-Current characteristics (Typ.)



▪ Impedance-Frequency characteristics (Typ.)



This PDF data has only typical specifications because there is no space for detailed specifications.

Therefore, please review our product specifications or consult the approval sheet for product specifications before ordering.