

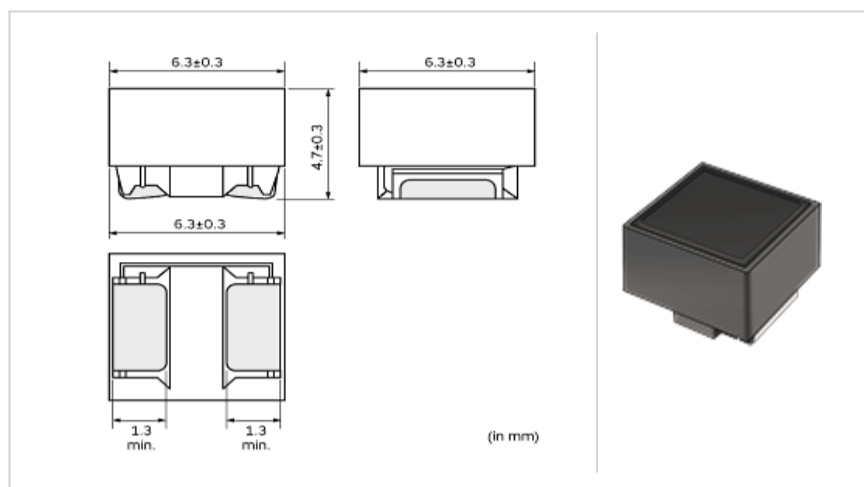
LQH66SN150M03#

"#" indicates a package specification code.



< List of part numbers with package codes >
LQH66SN150M03L , LQH66SN150M03K

Shape



L size	6.3 ± 0.3mm
W size	6.3 ± 0.3mm
T size	4.7 ± 0.3mm
Size code in inch (mm)	2525 (6363)

Notes

When applied Rated current to the Products, Inductance will be within ± 40% of initial Inductance value.
When applied Rated current to the Products, temperature rise caused by self-generated heat shall be limited to 40 max.

References

Packaging code	Specifications	Minimum quantity
L	180mm Embossed taping	350
K	330mm Embossed taping	1500

Mass (Typ.)	
1 piece	0.71g

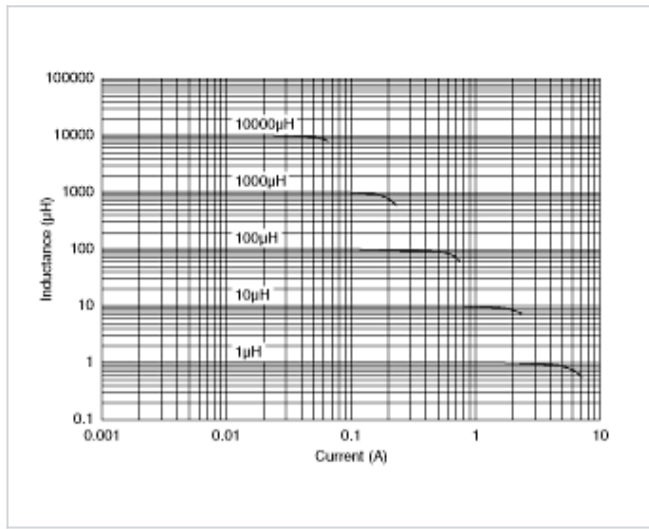
Specifications

Inductance	15μH ± 20%
Inductance test frequency	1MHz
Rated current (Itemp) (Based on Temperature rise)	1.3A
Max. of DC resistance	0.0966
Avg. of DC resistance	0.069 ± 40%
Self resonance frequency (min.)	17MHz
Operating temperature range (Self-temperature rise is not included)	-40 ~ 80
Class of magnetic shield	Magnetic shield of ferrite

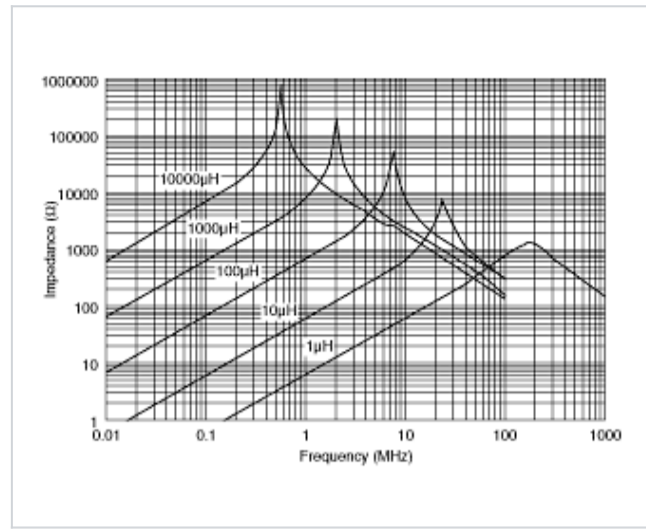
⚠ Attention

- 1.This datasheet is downloaded from the website of Murata Manufacturing Co., Ltd. Therefore, it ' s specifications are subject to change or our products in it may be discontinued without advance notice. Please check with our sales representatives or product engineers before ordering.
- 2.This datasheet has only typical specifications because there is no space for detailed specifications. Therefore, please review our product specifications or consult the approval sheet for product specifications before ordering.

▪ Inductance-Current characteristics (Typ.)



▪ Impedance-Frequency characteristics (Typ.)



This PDF data has only typical specifications because there is no space for detailed specifications.

Therefore, please review our product specifications or consult the approval sheet for product specifications before ordering.