

Metal switch medium stroke, snap-in, Switching Voltage up to 250V



MSM 22 SI snap in mounting

**Description**

- Switches with snap-in mounting from the front side
- Available in version Standard, lettered, with Point Illumination or Ring Illumination
- Further characteristics see MSM 22 data sheet

**Characteristics**

- Housing and actuator made of high quality stainless steel
- Quick Assembly by snap-in mounting from the front side
- Short Mounting Depth, for assembly with no access from rear side

**References**

Alternative: Standard version [MSM 22](#)

**Weblinks**

[html-datasheet](#), [General Product Information](#), [CE declaration of conformity](#), [RoHS](#), [CHINA-RoHS](#), [e-Shop](#), [CAD-Drawings](#), [Product News](#), [Detailed request for product](#)

**Technical Data**

**Electrical Data**

Data See MSM data sheet

**Mechanical Data**

Mounting	snap-in
Mounting Diameter	Ø 22 mm
Drilling tolerance	max. 0.15 mm / Drilling edges free of burrs
Panel Thickness	1.5; 2.0; 2.5; 3.0 mm
Mounting Force	50 - 100 N
Data	See MSM data sheet

**Climatical Data**

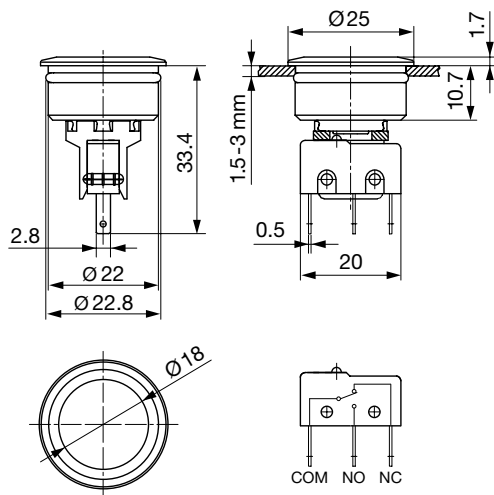
Data See MSM data sheet

**Material**

Housing	Stainless Steel
Gasket	NBR70

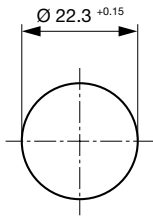
**Dimension**

MSM 22 SI



## Dimension

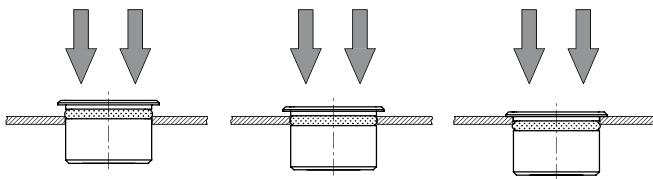
SI 22



Drilling diagram

## Assembly Instructions

Mounting diagram



The assembly becomes effective by the force fitting of the switch into the drilling hole, whereas the O-ring will be displaced. After inserting the switch through the drilling hole, the O-ring expands and the switch is fixed in the drilling hole.

## All Variants

Diameter	Switching Current	Switching Voltage	Illumination, LED	Housing Material	Panel Thick-	Config. Code	Order Number
[mm]	[A]	[VAC/ VDC]					
22	5 / 3 A	125 / 250 VAC	Point Illumination, red	Stainless Steel	1.5mm		1241.6693.1121000
22	5 / 3 A	125 / 250 VAC	Point Illumination, green	Stainless Steel	1.5mm		1241.6693.1122000
22	5 / 3 A	125 / 250 VAC	non-illuminated	Stainless Steel	1.5mm		1241.6695.1120000
22	5 / 3 A	125 / 250 VAC	Point Illumination, red	Stainless Steel	2mm		1241.6697.1121000
22	5 / 3 A	125 / 250 VAC	Point Illumination, green	Stainless Steel	2mm		1241.6697.1122000
22	5 / 3 A	125 / 250 VAC	non-illuminated	Stainless Steel	2mm		1241.6699.1120000
22	5 A	250 VAC	non-illuminated	Stainless Steel	2mm		1241.6699.1180000

Legend:

Type: MSM

PI = Point Illumination

RI = Ring Illumination

Alu = Aluminium

ES = Stainless steel

Point illuminated versions without resistors, details see MSM data sheet

Further snap-in versions and customer-specific solutions on request.  
Special materials for use in salt and chlorinated environment on request.

Most Popular.

Availability for all products can be searched real-time: <http://www.schurter.com/en/Stock-Check/Stock-Check-SCHURTER>

## Packaging unit

10 in box with insert (10 pcs.)