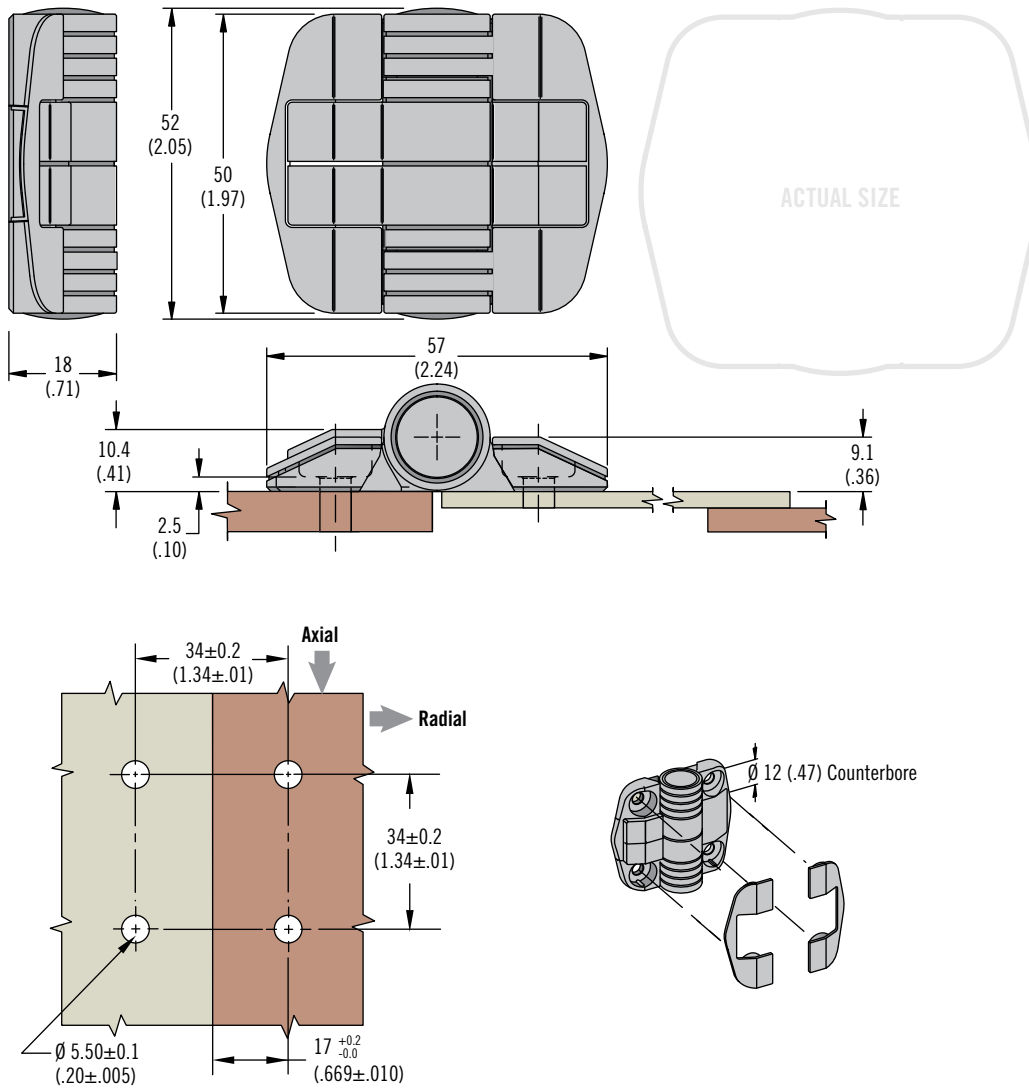


C6 Hinge

Position control · Detent



- Holds doors open without secondary mechanical support
- Detents holds door at 80°, 115° or 150°
- All versions can be further opened to 180°

Material and Finish

Acetal, black
 Internal components:
 Hardened steel on stainless steel

Performance Details

Radial load:
 Max. static load: 450 N (100 lbf)
 Average ultimate load:
 2600 N (575 lbf)

Axial load:
 Max. static load: 450 N (100 lbf)
 Average ultimate load:
 1800 N (400 lbf)

Cycle life:
 Stainless steel: Up to 5000
 Hardened steel: Up to 20,000

Operating temperature range:
 -40°C (-40°F) to 80°C (180°F)

Installation Notes

Designed to accommodate M5 (No. 10) mounting hardware with a maximum head diameter of 10.1 (.40) and a maximum head height of 4 (.16).

Part Number

See table

Type	Positioning Torque N·m (in·lbf)	Part Number	
		Stainless Steel Detent Tube	Hardened Steel Detent Tube
No Detents	Free operating	C6-20	C6-0
80 Degree	0.7 (6)	C6-21	C6-1
	1.1 (10)	C6-22	C6-2
	1.7 (15)	C6-23	C6-3
115 Degree	0.7 (6)	C6-24	C6-4
	1.1 (10)	C6-25	C6-5
	1.7 (15)	C6-26	C6-6
150 Degree	0.7 (6)	C6-27	C6-7
	1.1 (10)	C6-28	C6-8
	1.7 (15)	C6-29	C6-9





G6 Hinge

Position control · Detent

- Holds doors open without secondary mechanical support
- Detent holds door at 120° and 170°
- Can be opened to 180°

Material and Finish

Acetal and nylon, black

Performance Details

Radial load:

Max. static load: 130 N (30 lbf)

Average ultimate load:

970 N (220 lbf)

Axial load:

Max. static load: 130 N (30 lbf)

Average ultimate load:

1450 N (325 lbf)

Cycle life: 10,000 cycles

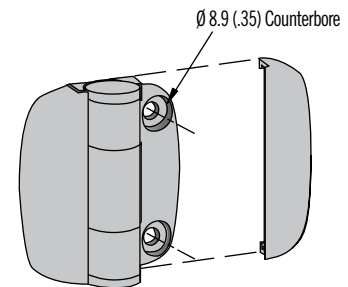
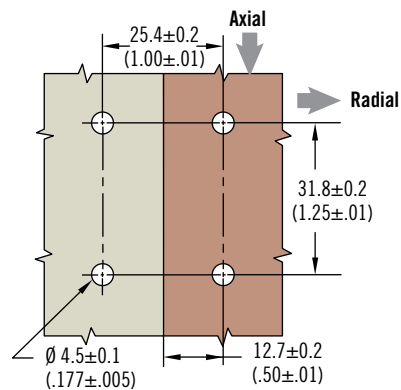
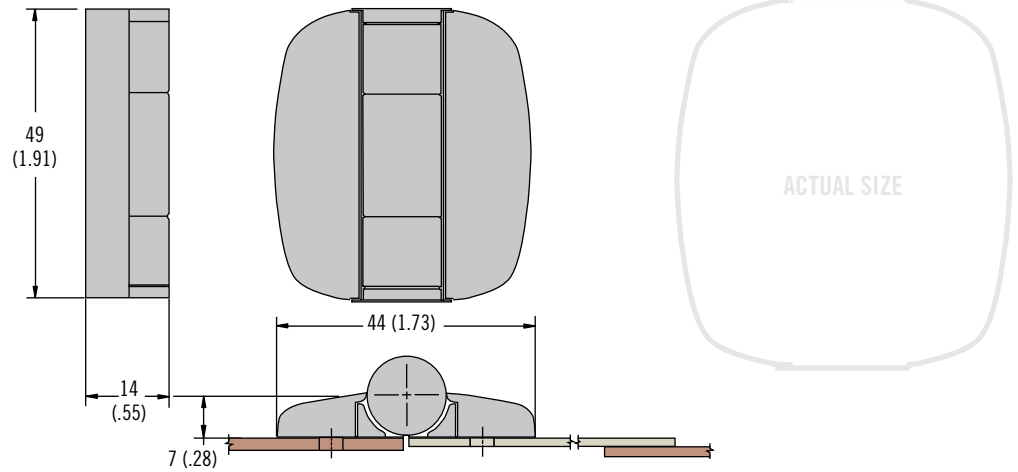
Operating temperature range:

-20 °C (0° F) to 80° C (180° F)

Installation Notes

Screws not supplied

Hinge designed to accommodate M4 (No. 8) size Pan Head mounting hardware.



Part Number

See table

Part Number	Detent Angle	Positioning Torque
G6-0-1	<p>Free swinging (no detents)</p>	~
G6-5-1		1.1 N·m (10 in·lbf)

Dimensions in millimeters (inch) unless otherwise stated



www.southco.com/G6

southco
CONNECT · CREATE · INNOVATE