

# Customer Information Sheet

DRAWING No.: M22-204XXXX

SHEET 2 OF 2

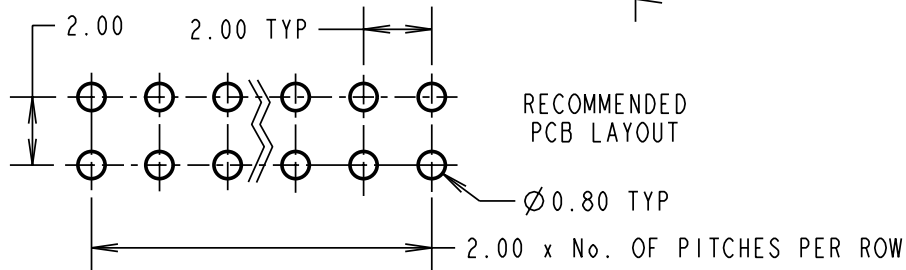
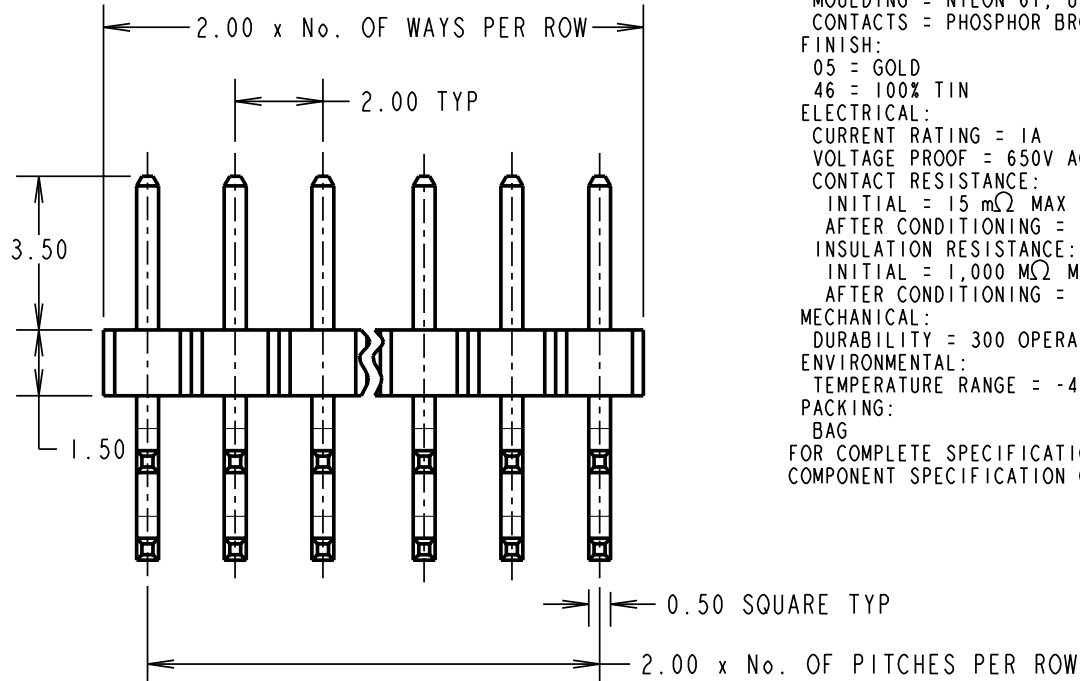
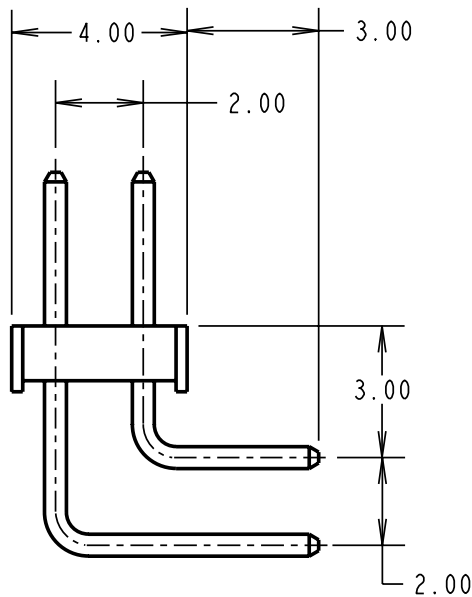
IF IN DOUBT - ASK

(C)

NOT TO SCALE

THIRD ANGLE PROJECTION

ALL DIMENSIONS IN mm



**SPECIFICATIONS:**

**MATERIAL:**

MOULDING = NYLON 6T, UL94V-0, BLACK

CONTACTS = PHOSPHOR BRONZE

**FINISH:**

05 = GOLD

46 = 100% TIN

**ELECTRICAL:**

CURRENT RATING = 1A

VOLTAGE PROOF = 650V AC

**CONTACT RESISTANCE:**

INITIAL = 15 mΩ MAX (GOLD), 20 mΩ MAX (TIN)

AFTER CONDITIONING = 20 mΩ MAX (GOLD), 30 mΩ MAX (TIN)

**INSULATION RESISTANCE:**

INITIAL = 1,000 MΩ MIN

AFTER CONDITIONING = 100 MΩ MIN

**MECHANICAL:**

DURABILITY = 300 OPERATIONS (GOLD), 50 OPERATIONS (TIN)

**ENVIRONMENTAL:**

TEMPERATURE RANGE = -40°C TO +105°C

**PACKING:**

BAG

FOR COMPLETE SPECIFICATION, SEE COMPONENT SPECIFICATION C018XX (LATEST ISSUE)

ORDER CODE:  
**M22-204XXXX**

No. OF WAYS PER ROW  
02-50

FINISH \_\_\_\_\_  
05 = GOLD OVER NICKEL  
46 = 100% TIN OVER NICKEL

RA	7	25.02.09	10299
NAME	ISS.	DATE	C/NOTE
APPROVED:		R. ADDE	
CHECKED:		M.G.PLESTED	
DRAWN:		P. D. COLLINS	
CUSTOMER REF.:			
ASSEMBLY DRG:			

NOTES:  
1. ALL TOLERANCES ARE ±0.20 UNLESS OTHERWISE STATED.

**HARWIN**

HARWIN USA  
TEL: 603 893 5376  
FAX: 603 893 5396  
mis@harwin.com

HARWIN Europe (UK)  
TEL: 023 9231 4545  
FAX: 023 9231 4590  
mis@harwin.co.uk

HARWIN Asia  
TEL: +65 6 779 4909  
FAX: +65 6 779 3868  
mis@harwin.com.sg

THIS DRAWING AND ANY INFORMATION OR DESCRIPTIVE MATTER SET OUT HEREON ARE CONFIDENTIAL AND COPYRIGHT PROPERTY OF THE HARWIN GROUP AND MUST NOT BE DISCLOSED, LOANED, COPIED OR USED FOR MANUFACTURING, TENDERING OR FOR ANY OTHER PURPOSE WITHOUT THEIR WRITTEN PERMISSION.

TOLERANCES  
~~X. = ±1mm~~  
~~X.X = ±0.25mm~~  
~~X.XX = ±0.10mm~~  
~~X.XXX = ±0.01mm~~  
ANGLES = ±5°  
UNLESS STATED

MATERIAL: SEE ABOVE  
FINISH: SEE ABOVE  
S/AREA: mm<sup>2</sup>

TITLE: 2.00mm PITCH DIL HORIZONTAL PC TAIL PIN HDR  
DRAWING NUMBER: M22-204XXXX  
SHT 2 OF 2