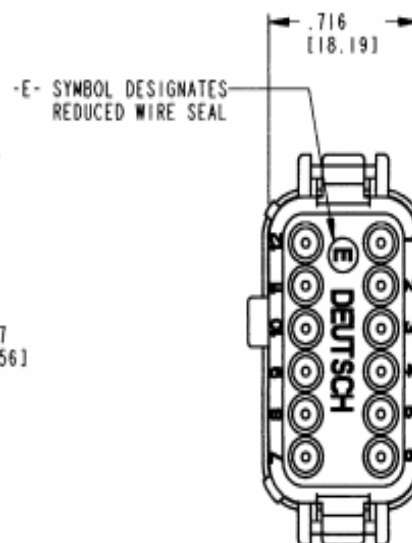
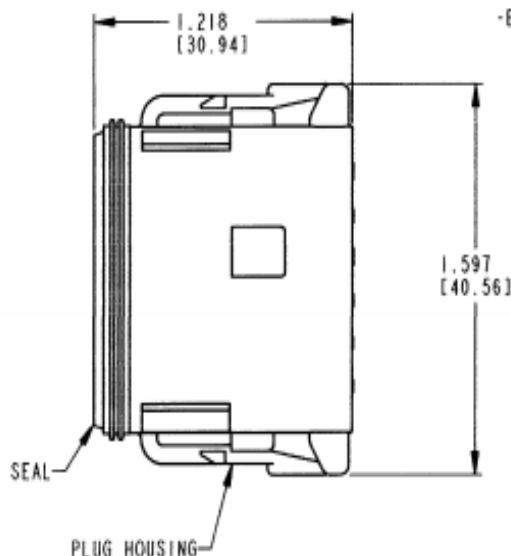


**DATE LEGEND**

YEARS TO BE REPRESENTED BY LAST NUMERICAL DIGIT  
MONTH USES SEQUENTIAL ALPHA CHARACTERS, EX: A= JANUARY ...



-E- SYMBOL DESIGNATES  
REDUCED WIRE SEAL

REV  
A DT06-12SA-CE06

**REVISIONS**

SYM	DESCRIPTION	DATE	APPROVED
NC	NEW RELEASE PER E.O. P16023	5/20/99	R.D.R.
A	REVISED PER E.O. P19139	1-18-06	RDR

CONTACT SIZE	MIN. INSUL O.D.	MAX. INSUL O.D.	WIRE RANGE (mm <sup>2</sup> )
16	.053 [1.35]	.120 [3.05]	14-20 AWG [2.0-0.5]

4. THIS PLUG MATES WITH THE DT04-12PA-\*\*\*\* RECEPTACLE (\*\*\*\* = ALL MODIFICATIONS). CONSULT FACTORY FOR MODIFICATIONS.
3. FOR CONTACTS AND WIRE PERFORMANCE AND APPLICATION CHARACTERISTICS SEE ENVELOPE DRAWING 0425-015-0000 AND 0425-017-0000.
2. DIMENSIONS ARE ±.025[0.63] UNLESS OTHERWISE SPECIFIED.

NOTES: 1. DIMENSIONS ARE IN INCHES [MILLIMETERS].

SIGNATURE & DATE	
DR	D. SPENCER 08APR99
CHK	B. [Signature] 1/18/06
PE	[Signature] 1/14/06
APPD	R. [Signature] 1-18-06
SCALE	NONE WT

12 WAY PLUG  
-CE06 MOD.  
COLOR: GRAY  
DT SERIES

ENVELOPE

CP	MAIL CODE
<b>The Deutsch Company</b> DEUTSCH I.P.D. 3850 INDUSTRIAL AVE. HEWET, CALIF. 92545	
<b>B</b>	<b>DT06-12SA-CE06</b>
IMP SIZE	CODE 11139 SHEET 1 OF 1