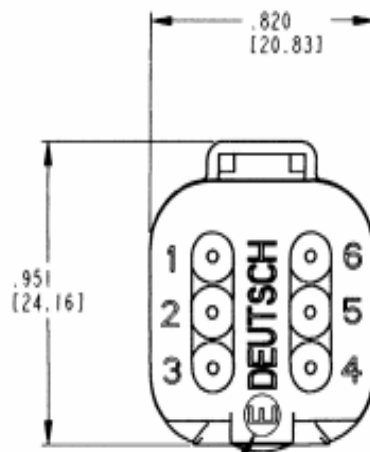
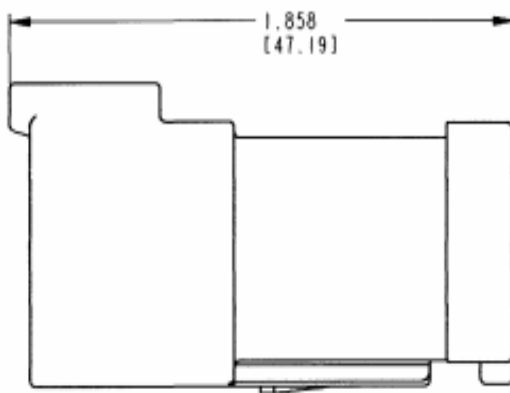


DATE CODE:
 YEAR IS REPRESENTED BY THE LAST DIGIT. EX: 0=2000
 MONTH IS REPRESENTED BY SEQUENTIAL ALPHA CHARACTERS. EX: A=JANUARY.



MARK DESIGNATES THIS ASSEMBLY
 HAS REDUCED DIAMETER WIRE SEALS.

CONTACT SIZE	MIN. INSUL O.D.	MAX. INSUL O.D.	WIRE RANGE [mm ²]
16	.053 [1.35]	.120 [3.05]	14-20 AWG [2.0-0.5]

5. THIS RECEPTACLE MATES WITH THE DT06-6S-**** PLUG (**** = ALL MODIFICATIONS). CONSULT FACTORY FOR MODIFICATIONS.
4. FOR CONTACTS AND WIRE PERFORMANCE AND APPLICATION CHARACTERISTICS SEE ENVELOPE DRAWING 0425-015-0000 AND 0425-017-0000.
3. WEDGE LOCK SOLD SEPERATELY.
2. DIMENSIONS ARE ±.025 (0.63) UNLESS OTHERWISE SPECIFIED.
1. DIMENSIONS ARE IN INCHES (MILLIMETERS).

NOTES:

REV B DT04-6P-CE03

REVISIONS			
SYM	DESCRIPTION	DATE	APPROVED
NC	NEW RELEASE PER E.O. P15823	11/20/98	R.D.R.
A	REVISED PER E.O. P16045	11/29/99	R.D.R.
B	REVISED PER E.O. P19393	10-20-06	RDR

SIGNATURE & DATE	
DR	D. SPENCER 04FEB99
CHK	<i>[Signature]</i> 10/24/06
PE	<i>[Signature]</i> 10/18/06
APPD	<i>[Signature]</i> 10-18-06
SCALE	2.5:1 WT

6 WAY RECEPTACLE
 -CE03 MOD.
 COLOR: BLACK
 DT SERIES

ENVELOPE

MATERIAL CODE	
The Deutsch Company DEUTSCH I.P.D. 3850 INDUSTRIAL AVE. HEMET, CALIF. 92545	
B DWG SIZE	DT04-6P-CE03
	CODE 11134 SHEET 1 OF 1