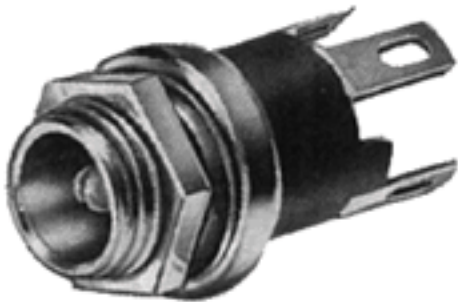


# Switchcraft®

[Previous Page](#) | [Return to Index](#) | [Next Page](#)

1



2



3



4



## STRAIGHT MINIATURE POWER JACKS

1. 712A

2. **PC712A**
3. **2C1072**
4. **L722A**

[click here to download a schematic drawing](#)

(you will need to have Adobe Acrobat installed on your system to do this)



## **FEATURES**

\*2 conductor jack.

\*Automatic switch over from AC to DC permitted by sleeve shunt spring.

\*Split center pin shaped to hold mating plug firmly. (732A available in solid center pin only.)

\*Choose solder lug or PC terminal. (732A not available in PC terminal.)

\*Bushing length available as .219" or extended .319 to permit use in thicker panels. (732A not available in extended length.)

\*L712A and PCL712A accept plugs with .475" long, 0.099" diameter sleeve.

\*L722A and PCL722A accept plugs with .475" long, 0.08" diameter sleeve.

## **MOUNTING**

**Part Numbers 712A, 722A and 732A** - Mounts in .313 inch diameter hole in panels up to .125 inches thick (maximum).

**Part Numbers PC712A and PC722A** - Same as 712A. See drawing for PC board layout.

**Part Number 2C1072** - Jack covers for 712A, 722A and 732A - special order only.

For insulated mounting, two insulated washers are available on special order. Mounting hole diameter is .375 inches. See "Insulated Mounting" drawing.

**Part Number P2442** - Phenolic flat washer.

**Part Number S4263** - Swedged fiber washer.

## **SPECIFICATIONS**

### **MECHANICAL**

**Life:** 10,000 insertion/withdrawal cycles minimum.

**Insertion/Withdrawal Forces:** 3 pound insertion (maximum), 4 ounce minimum withdrawal.

**Part Numbers 712A, PC712A, 722A, PC722A, 732A**

### **ELECTRICAL**

**Contact Resistance:** .01 ohms maximum (initial),

.02 ohms maximum (after humidity, durability exposure),

.1 ohms maximum (after salt spray).

**Insulation Resistance:** 10,000 M(ohm) minimum (initial),

1,000 M(ohm) minimum (after humidity, durability exposure).

**Dielectric Withstanding Voltage:** 500 V AC maximum.

**Contact Rating:** 5 A, 12 V DC. resistive.

### **MATERIAL**

**Housing:** Molded plastic.

**Mounting Bushing and Hex Nut:** Plated copper alloy.

**Pin, Spring and Terminals:** Plated copper alloy.

**Insulators:** Rigid plastic.

**Hardware:** Supplied with one **Number P2439** nickel-plated brass hex nut, and one **Number P2441**

nickel-plated steel flat washer.

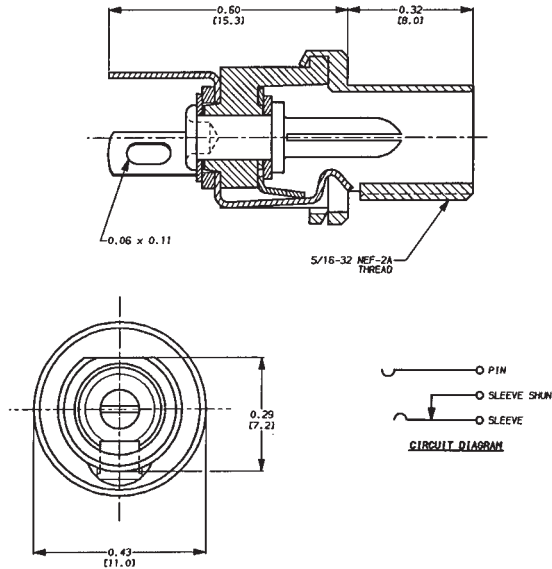
<b>Part Number</b>	<b>Description</b>	<b>Outside Diameter*</b>	<b>Typical Mating Plug**</b>
<b>712A</b>	Solder lugs	0.1 inches (.097-.099)	760
<b>PC712A</b>	PC terminals		760K
<b>L712A</b>	Longer Bushing		761K
<b>722A</b>	Solder lugs	0.08 inches (.075-.077)	S760
<b>PC722A</b>	PC terminals		S760K
<b>L722A</b>	Longer Bushing		S761K
<b>732A</b>	Solder lugs	0.05 inches	860

\* Center pin diameter.

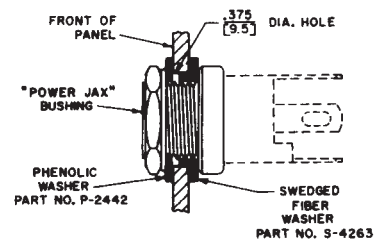
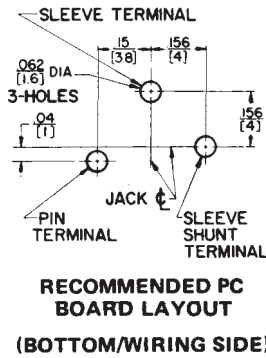
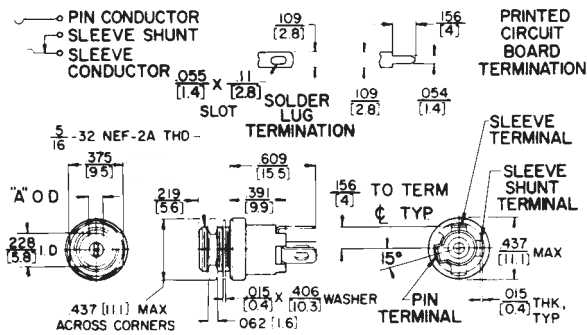
\*\* Other mating Plugs are available.

<b>MM CONVERSIONS</b>					
<b>Series</b>	<b>Catalog Dimension</b>	<b>+ tol/- tol</b>	<b>Range</b>	<b>mm equivalent</b>	<b>Use</b>
PC712A	0.156			3.9624	3.96
	0.150			3.81	3.81
	0.062			1.5748	1.57
	0.040			1.016	1.02
	0.406			10.3124	10.31
	0.216			5.4864	5.49
	0.446			11.3284	11.33
	0.46875			11.90625	11.90

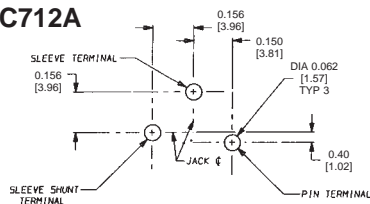
## STRAIGHT MINIATURE POWER JACKS



### 712A

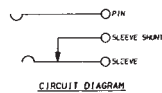
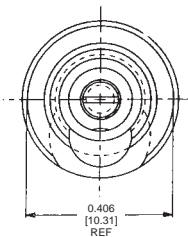


### PC712A



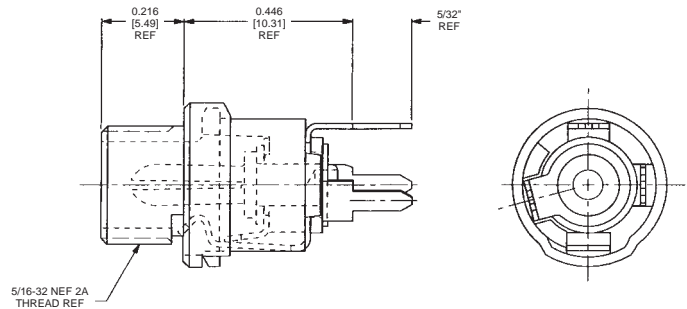
#### PC BOARD LAYOUT

SCALE: 1 = 0.250 COMPONENT SIDE



	CENTER PIN
RAPC 712	.097 - .099" (2.46 - 2.52 mm)
RAPC 722	.075 - .077" (1.91 - 1.96 mm)

### RAPC 722



DIMENSIONS ARE FOR REFERENCE ONLY  $\frac{\text{Inch}}{\text{(mm)}}$

NOTE: Contact your Switchcraft Representative for price and delivery.