

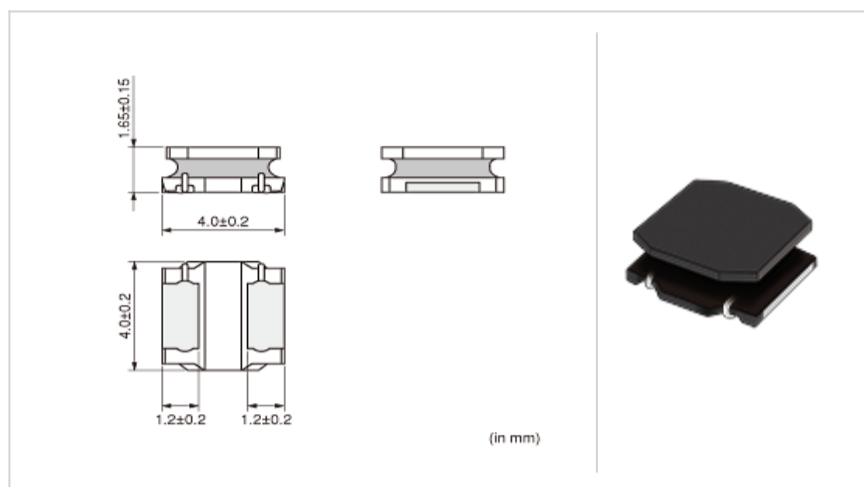
LQH44PN6R8MP0#

" # " indicates a package specification code.



< List of part numbers with package codes >
LQH44PN6R8MP0L , LQH44PN6R8MP0K

Shape



L size	4.0 ± 0.2mm
W size	4.0 ± 0.2mm
T size	1.65 ± 0.15mm
Size code in inch (mm)	1515 (4040)

Notes

When applied Rated current to the Products, Inductance will be within ± 30% of initial Inductance value.
When applied Rated current to the Products , self temperature rise shall be limited to 40 °C max.
Keep the temperature (ambient temperature plus self-generation o f heat) under 125 °C

References

Packaging code	Specifications	Minimum quantity
L	180mm Embossed taping	1000
K	330mm Embossed taping	3500

Mass (Typ.)	
1 piece	0.10g

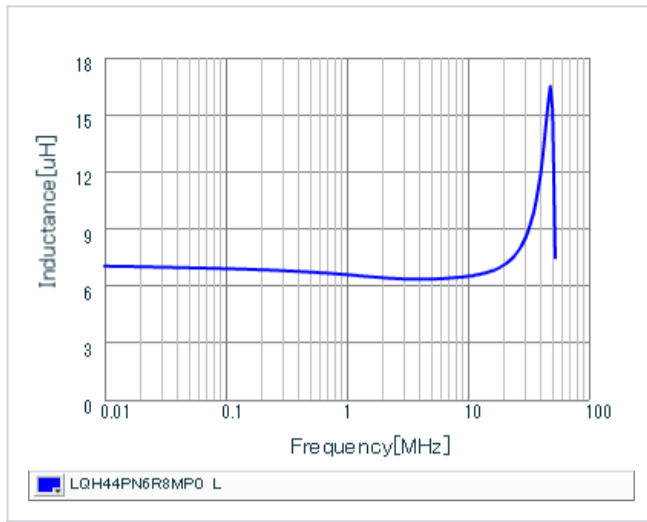
Specifications

Inductance	6.8µH ± 20%
Inductance test frequency	1MHz
Rated current (I _{sat}) (Based on Inductance change)	1400mA
Rated current (I _{temp}) (Based on Temperature rise)	1340mA
Max. of DC resistance	0.144
Avg. of DC resistance	0.12 ± 20%
Self resonance frequency (min.)	35MHz
Operating temperature range (Self-temperature rise is included)	-40 ~ 125
Operating temperature range (Self-temperature rise is not included)	-40 ~ 85
Class of magnetic shield	Magnetic shield of magnetic powder in resin

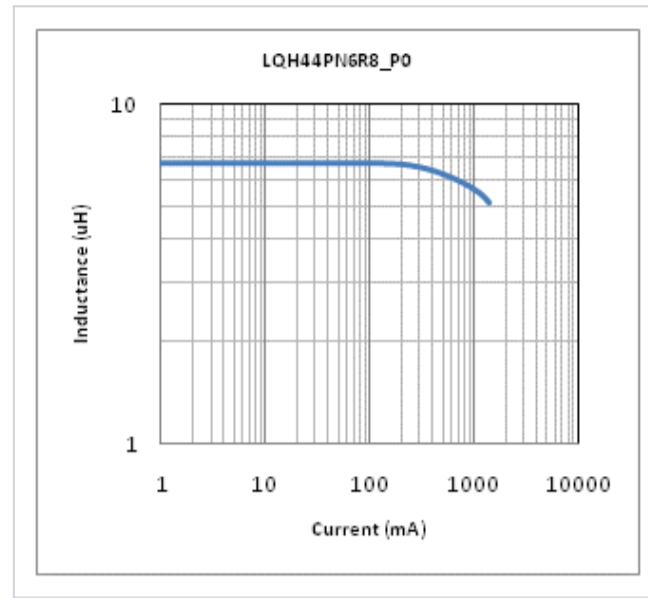
⚠ Attention

- This datasheet is downloaded from the website of Murata Manufacturing Co., Ltd. Therefore, it ' s specifications are subject to change or our products in it may be discontinued without advance notice. Please check with our sales representatives or product engineers before ordering.
- This datasheet has only typical specifications because there is no space for detailed specifications. Therefore, please review our product specifications or consult the approval sheet for product specifications before ordering.

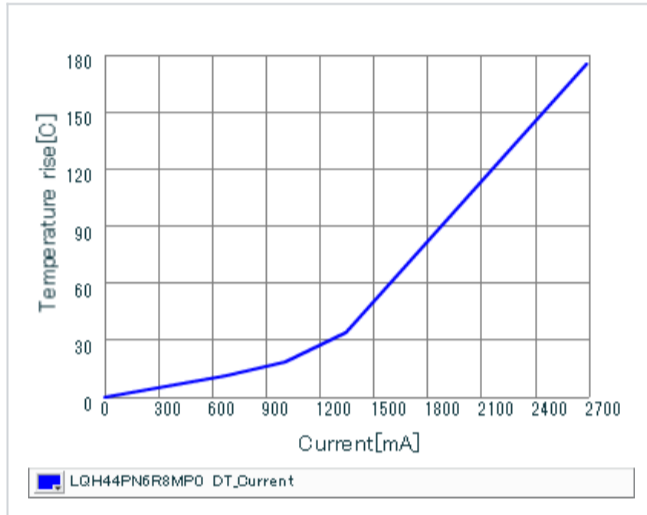
▪ Inductance-Frequency characteristics (Typ.)



▪ Inductance-Current characteristics (Typ.)



▪ Temperature rise characteristics (Typ.)



This PDF data has only typical specifications because there is no space for detailed specifications.

Therefore, please review our product specifications or consult the approval sheet for product specifications before ordering.