

Search by part number | Search by specifications | Search in the lineups | Search by competitor's part number

Product :
 Capacitors / EMI Suppressors / Filters / Inductors / Thermistors

Design tools
 Sinsurfing
 The 3D CAD software "Sinsurfing" simulates the characteristics of Murata products.

Inquiries about products, sales and technical matters

[Inquiries via website](#) | [Murata Global Network](#)

Please be sure to check here before using a product. imitations

[PDF Catalogs](#)

LQH44PN100MP0#

"#" indicates a package specification code.
[How to read part numbers](#)

[Download a PDF file of this page](#)

Available ?

General 85°C Wound (Shield) OK Reflow OK RoHS REACH ?

< List of part numbers with package codes >
 LQH44PN100MP0L, LQH44PN100MP0K

Size Code 4040 (1515) in mm (in inch), 1.8mm max. Thickness

New Product Information

Introducing the new product information of Murata inductors.

Design Support

- Design Tools
- Frequently Asked Questions (FAQ)

Features and How to Choose Inductors

Explanation of features and how to select inductors.

Application Examples

Introduction of recommended Murata inductors for each application.

- Mobile Phones
- Remote Keyless Entry System (RKE)

Other Application Examples

- Camera Modules

Examples of Problem Solving

Solving customer's problems.

for RF

- Proposal of the base exclusive possession area reduction by small size, the high-performance inductors

power lines

- How to Realize Downsizing and Efficiency

Other Examples

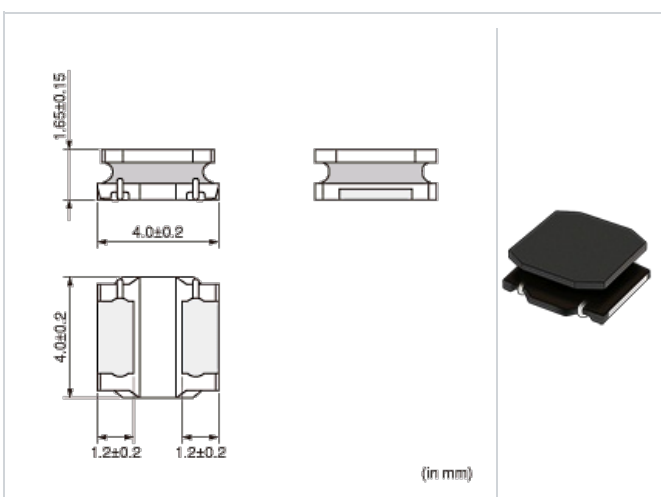
power lines

- Suggestion of the Noise Suppression Technology in the PA and Power Line

for RF

- Proposal of the Loss Reduction in the RF Circuit

Shape



L size	4.0 ±0.2mm
W size	4.0 ±0.2mm
T size	1.65 ±0.15mm
Size code in inch (mm)	1515 (4040)

Specifications

Inductance	10μH ±20%
Inductance test frequency	1MHz
Rated current (I _{sat}) (Based on Inductance change)	1150mA
Rated current (I _{temp}) (Based on Temperature rise)	1170mA
Max. of DC resistance	0.192Ω
Avg. of DC resistance	0.16Ω±20%
Self resonance frequency (min.)	25MHz
Operating temperature range (Self-temperature rise is included)	-40~125...
Operating temperature range (Self-temperature rise is not included)	-40~85...
Class of magnetic shield	Magnetic shield of magnetic powder in resin

Notes

When applied Rated current to the Products, Inductance will be within ±30% of initial Inductance value.
 When applied Rated current to the Products, self temperature rise shall be limited to 40... max.
 Keep the temperature (ambient temperature plus self-generation of heat) under 125...

References

Packaging code	Specifications	Minimum quantity
L	φ180mm Embossed taping	1000
K	φ330mm Embossed taping	3500

Mass (Typ.)

Series Information

[Series page is here](#)

Link Specifications

[Specifications Sheet \(with cautions/mounting/packaging\)](#)

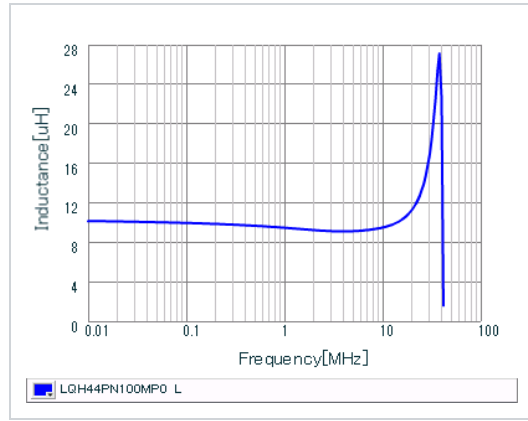
Product data

- Characteristic data
- SPICE Netlist (mod type)
- Sparameter (S2P type)

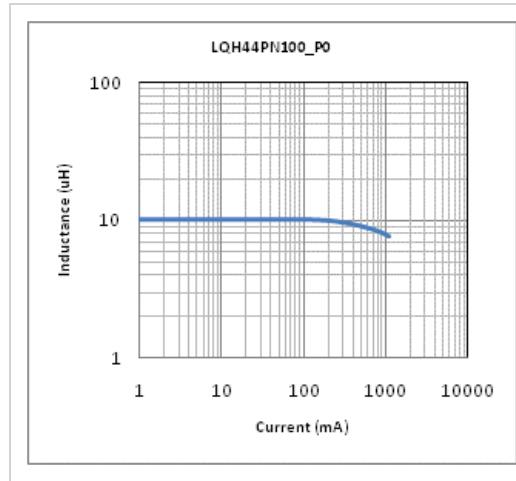
1 piece	0.10g
---------	-------

Chart of characteristic data (The charts below may show another part number which shares its characteristics.)

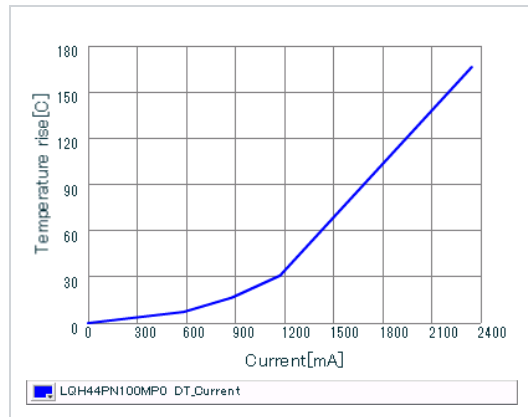
Inductance-Frequency characteristics (Typ.)




Inductance-Current characteristics (Typ.)



Temperature rise characteristics (Typ.)



 [Go to the detailed chart](#)

Inquiries about products, sales and technical matters

[Inquiries via website](#) [Murata Global Network](#)

[PDF Catalogs](#)

C a u t i o n s a b o u t i m i t a t i o n s

[RSS feed](#) [Change Text Size](#)

[Top of page](#)

[News](#) [Products](#) [About MURATA](#) [Investor Relations](#)

[Help](#)

Murata Manufacturing Co., Ltd. [Global](#)

English

[Site Map](#) | [Site Policy](#) | [Privacy Policy](#) | [Contact Us](#)

Copyright © Murata Manufacturing Co., Ltd. All Rights Reserved.