

muRata Inductor Data Sheet

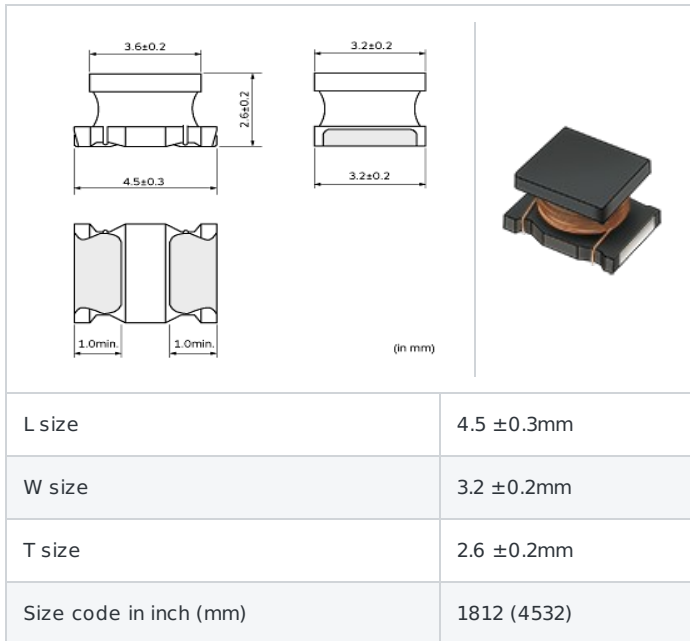
LQH43MN6R8K03#

"#" indicates a package specification code.



< List of part numbers with package codes >
LQH43MN6R8K03L , LQH43MN6R8K03K

Shape



Notes

When applied Rated current to the Products, self temperature rise shall be limited to 20°C max and Inductance will be within ±10% of initial Inductance value.

References

Packaging code	Specifications	Minimum quantity
L	φ 180mm Embossed taping	500
K	φ 330mm Embossed taping	2500

Mass (Typ.)	
1 piece	0.13g

Specifications

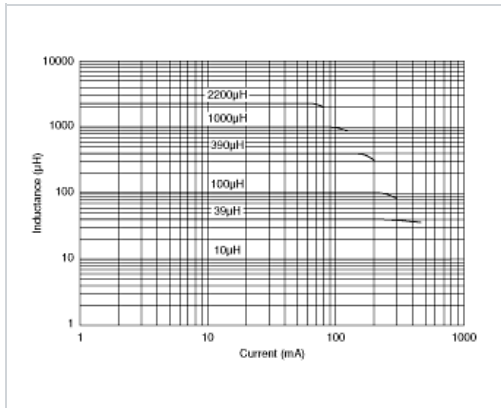
Inductance	6.8μH ±10%
Inductance test frequency	1MHz
Rated current (Itemp) (Based on Temperature rise)	450mA
Max. of DC resistance	0.50Ω
Q (min.)	30
Q test frequency	1MHz
Self resonance frequency (min.)	31MHz
Operating temperature range (Self-temperature rise is not included)	-40~85°C
Class of magnetic shield	No Shield

⚠ Attention

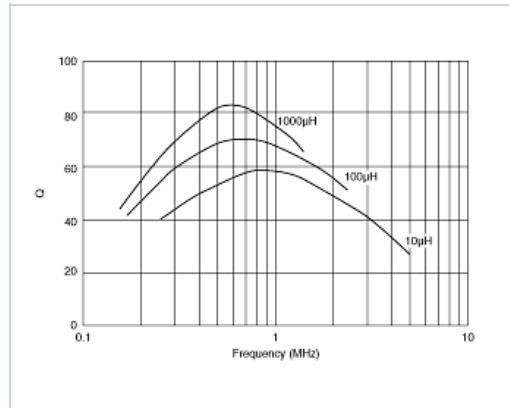
- 1.This datasheet is downloaded from the website of Murata Manufacturing Co., Ltd. Therefore, it's specifications are subject to change or our products in it may be discontinued without advance notice. Please check with our sales representatives or product engineers before ordering.
- 2.This datasheet has only typical specifications because there is no space for detailed specifications. Therefore, please review our product specifications or consult the approval sheet for product specifications before ordering.

Chart of characteristic data (The charts below may show another part number which shares its characteristics.)

▪ Inductance-Current characteristics (Typ.)



▪ Q-Frequency characteristics (Typ.)



⚠ Attention

1. This datasheet is downloaded from the website of Murata Manufacturing Co., Ltd. Therefore, its specifications are subject to change or our products in it may be discontinued without advance notice. Please check with our sales representatives or product engineers before ordering.
2. This datasheet has only typical specifications because there is no space for detailed specifications. Therefore, please review our product specifications or consult the approval sheet for product specifications before ordering.