

muRata Inductor Data Sheet

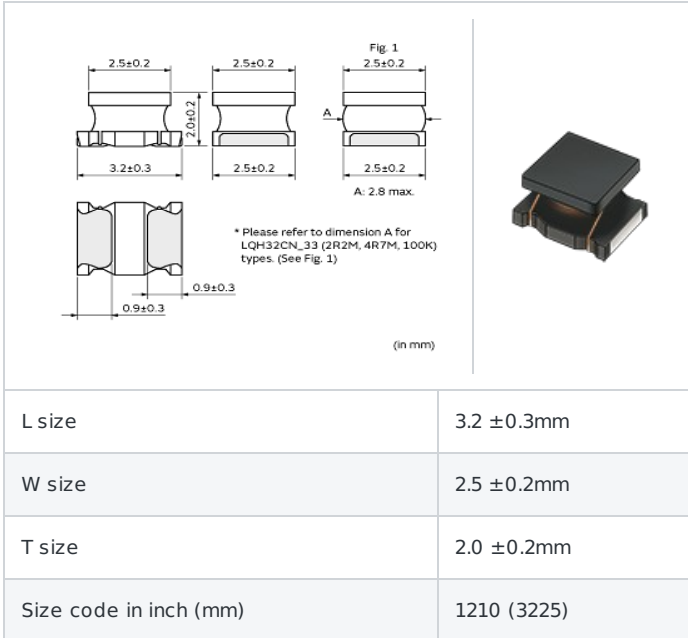
LQH32CNR47M33#

"#" indicates a package specification code.



< List of part numbers with package codes >
LQH32CNR47M33L , LQH32CNR47M33K

Shape



Notes

When applied Rated current to the Products, self temperature rise shall be limited to 20°C max and Inductance will be within ±10% of initial Inductance value.

References

Packaging code	Specifications	Minimum quantity
L	φ 180mm Embossed taping	2000
K	φ 330mm Embossed taping	7500

Mass (Typ.)	
1 piece	0.060g

Specifications

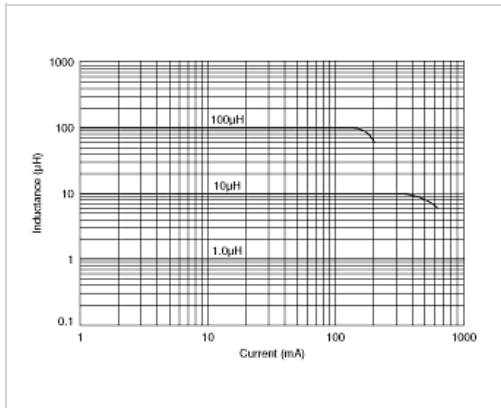
Inductance	0.47μH ±20%
Inductance test frequency	1MHz
Rated current (Itemp) (Based on Temperature rise)	1100mA
Max. of DC resistance	0.0546Ω
Avg. of DC resistance	0.042Ω±30%
Self resonance frequency (min.)	150MHz
Operating temperature range (Self-temperature rise is not included)	-40~85°C
Class of magnetic shield	No magnetic shield

Attention

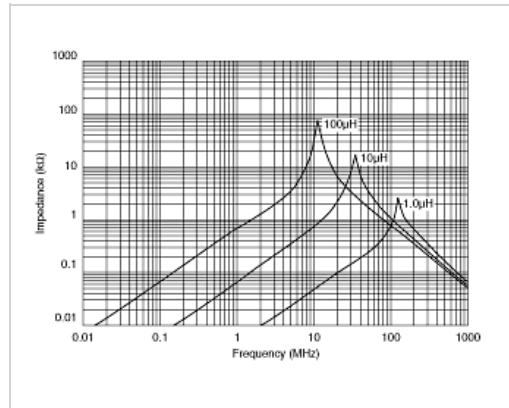
- 1.This datasheet is downloaded from the website of Murata Manufacturing Co., Ltd. Therefore, it's specifications are subject to change or our products in it may be discontinued without advance notice. Please check with our sales representatives or product engineers before ordering.
- 2.This datasheet has only typical specifications because there is no space for detailed specifications. Therefore, please review our product specifications or consult the approval sheet for product specifications before ordering.

Chart of characteristic data (The charts below may show another part number which shares its characteristics.)

▪ Inductance-Current characteristics (Typ.)



▪ Impedance-Frequency characteristics (Typ.)



⚠ Attention

1. This datasheet is downloaded from the website of Murata Manufacturing Co., Ltd. Therefore, its specifications are subject to change or our products in it may be discontinued without advance notice. Please check with our sales representatives or product engineers before ordering.
2. This datasheet has only typical specifications because there is no space for detailed specifications. Therefore, please review our product specifications or consult the approval sheet for product specifications before ordering.