

# LQH32CN150K53#

“#” indicates a package specification code.

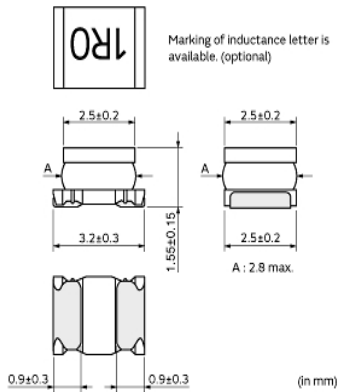
Size Code 3225 (1210) in mm (in inch)



< List of part numbers with package codes >

LQH32CN150K53K      LQH32CN150K53L

## Appearance & Shape



## References

Packaging	Specifications	Standard Packing Quantity
K	330 Embossed Tape	7500
L	180 Embossed Tape	2000

Mass (typ.)	
1 piece	0.045g

## Notices

When rated current is applied to the products, self-temperature rise shall be limited to 20°C max and inductance will be within  $\pm 10\%$  of initial inductance value.

### Attention

1. This datasheet is downloaded from the website of Murata Manufacturing Co., Ltd. Therefore, its specifications are subject to change or our products in it may be discontinued without advance notice. Please check with our sales representatives or product engineers before ordering.
2. This datasheet has only typical specifications because there is no space for detailed specifications. Therefore, please review our product specifications or consult the approval sheet for product specifications before ordering.

# LQH32CN150K53#

“#” indicates a package specification code.



## Specifications

L size	3.2±0.3mm
W size	2.5±0.2mm
T size	1.55±0.15mm
Size code inch (mm)	1210 (3225)
Inductance	15μH±10%
Inductance Test Frequency	1MHz
Rated current (Itemp) (Based on Temperature rise)	300mA
Max. of DC resistance	0.754Ω
Class of magnetic shield	No Shield
Self resonance frequency (min.)	26MHz
Operating Temperature Range(Self-temperature rise is not included)	-40°C to 85°C
DC Resistance Intermediate Values	0.58Ω±30%
Series	LQH32CN_53

### Attention

1.This datasheet is downloaded from the website of Murata Manufacturing Co., Ltd. Therefore, it's specifications are subject to change or our products in it may be discontinued without advance notice. Please check with our sales representatives or product engineers before ordering.

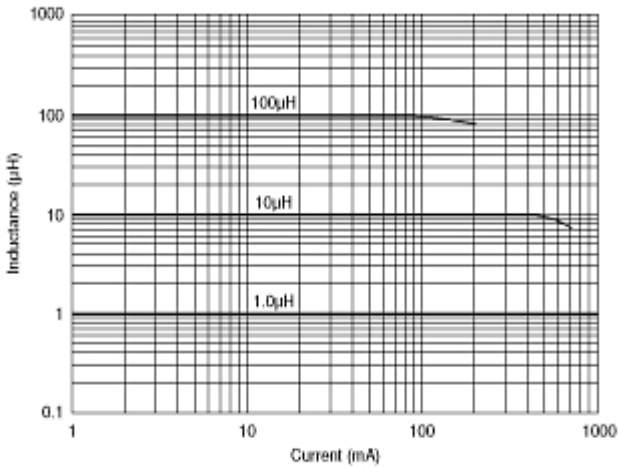
2.This datasheet has only typical specifications because there is no space for detailed specifications.

Therefore, please review our product specifications or consult the approval sheet for product specifications before ordering.

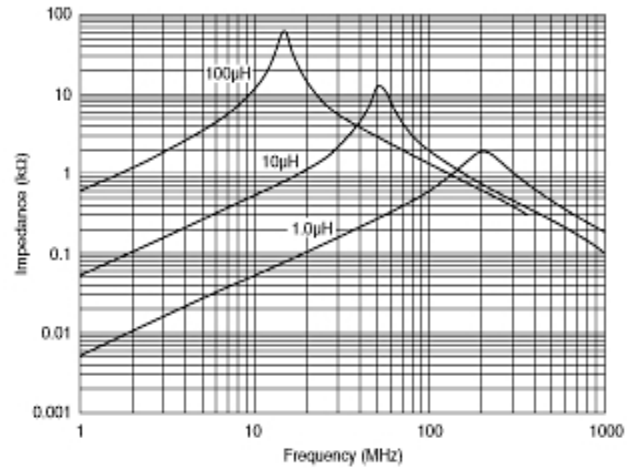
# LQH32CN150K53#

"#" indicates a package specification code.

## Characteristic Data



Impedance - Current Characteristics



Impedance - Frequency Characteristics

**Attention**

- 1.This datasheet is downloaded from the website of Murata Manufacturing Co., Ltd. Therefore, it's specifications are subject to change or our products in it may be discontinued without advance notice. Please check with our sales representatives or product engineers before ordering.
- 2.This datasheet has only typical specifications because there is no space for detailed specifications. Therefore, please review our product specifications or consult the approval sheet for product specifications before ordering.