

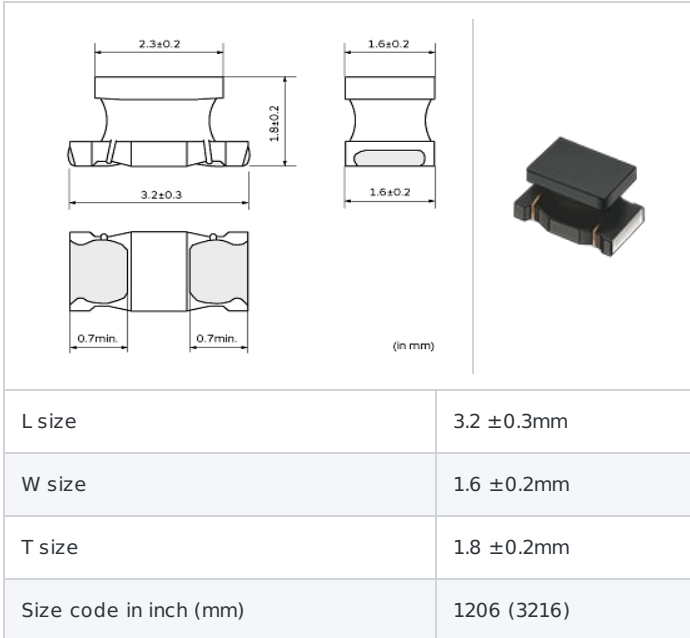
# LQH31CN100K03#

"#" indicates a package specification code.



< List of part numbers with package codes >  
LQH31CN100K03L , LQH31CN100K03K

## Shape



## Notes

When applied Rated current to the Products, Inductance will be within ±10% of initial Inductance value.  
When applied Rated current to the Products, temperature rise caused by self-generated heat shall be limited to 35°C max.

## References

Packaging code	Specifications	Minimum quantity
L	φ 180mm Embossed taping	2000
K	φ 330mm Embossed taping	7500

Mass (Typ.)	
1 piece	0.029g

## Specifications

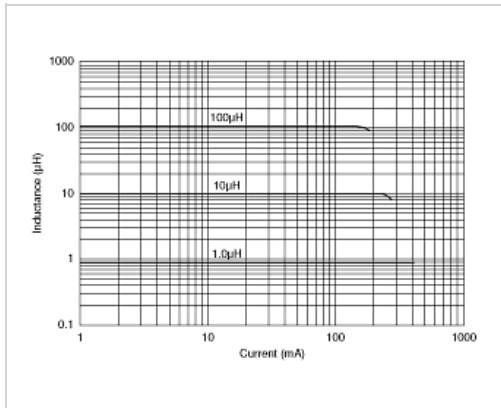
Inductance	10μH ±10%
Inductance test frequency	1MHz
Rated current (Itemp) (Based on Temperature rise)	230mA
Max. of DC resistance	1.69Ω
Avg. of DC resistance	1.3Ω±30%
Self resonance frequency (min.)	20MHz
Operating temperature range (Self-temperature rise is not included)	-40~85°C
Class of magnetic shield	No magnetic shield

### ⚠ Attention

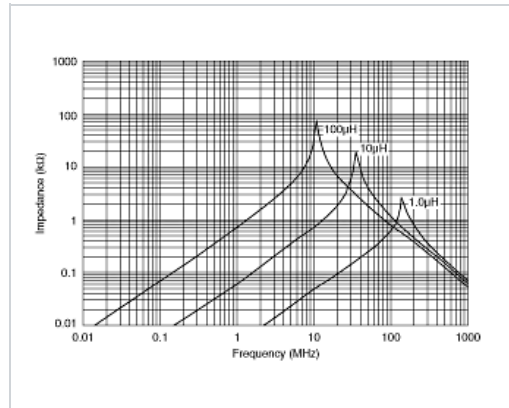
- 1.This datasheet is downloaded from the website of Murata Manufacturing Co., Ltd. Therefore, it's specifications are subject to change or our products in it may be discontinued without advance notice. Please check with our sales representatives or product engineers before ordering.
- 2.This datasheet has only typical specifications because there is no space for detailed specifications. Therefore, please review our product specifications or consult the approval sheet for product specifications before ordering.

**Chart of characteristic data (The charts below may show another part number which shares its characteristics.)**

▪ Inductance-Current characteristics (Typ.)



▪ Impedance-Frequency characteristics (Typ.)



**⚠ Attention**

1. This datasheet is downloaded from the website of Murata Manufacturing Co., Ltd. Therefore, its specifications are subject to change or our products in it may be discontinued without advance notice. Please check with our sales representatives or product engineers before ordering.
2. This datasheet has only typical specifications because there is no space for detailed specifications. Therefore, please review our product specifications or consult the approval sheet for product specifications before ordering.