



PCF2127AT

Integrated RTC, TCXO and quartz crystal

Rev. 6 — 11 July 2013

Product data sheet

1. General description

The PCF2127AT¹ is a CMOS² Real Time Clock (RTC) and calendar with an integrated Temperature Compensated Crystal (Xtal) Oscillator (TCXO) and a 32.768 kHz quartz crystal optimized for very high accuracy and very low power consumption. The PCF2127AT has 512 bytes of general purpose static RAM, a selectable I²C-bus or SPI-bus, a backup battery switch-over circuit, a programmable watchdog function, a timestamp function, and many other features.

2. Features and benefits

- Temperature Compensated Crystal Oscillator (TCXO) with integrated capacitors
- Typical accuracy: ± 3 ppm from -15 °C to $+60$ °C
- Integration of a 32.768 kHz quartz crystal and oscillator in the same package
- Provides year, month, day, weekday, hours, minutes, seconds, and leap year correction
- 512 bytes of general purpose static RAM
- Timestamp function
 - ◆ with interrupt capability
 - ◆ detection of two different events on one multilevel input pin (for example, for tamper detection)
- Two line bidirectional 400 kHz Fast-mode I²C-bus interface ($I_{OL} = 3$ mA at pin SDA/CE)
- 3 line SPI-bus with separate data input and output (maximum speed 6.5 Mbit/s)
- Battery backup input pin and switch-over circuitry
- Battery backed output voltage
- Battery low detection function
- Extra power fail detection function with input and output pins
- Power-On Reset Override (PORO)
- Oscillator stop detection function
- Interrupt output and system reset pin (open-drain)
- Programmable 1 second or 1 minute interrupt
- Programmable countdown timer with interrupt capability
- Programmable watchdog timer with interrupt and reset capability
- Programmable alarm function with interrupt capability
- Programmable square wave open-drain output pin

1. As well as the PCF2129.

2. The definition of the abbreviations and acronyms used in this data sheet can be found in [Section 20](#).



- Clock operating voltage: 1.2 V to 4.2 V
- Low supply current: typical 0.65 μA at $V_{\text{DD}} = 3.0 \text{ V}$ and $T_{\text{amb}} = 25 \text{ }^\circ\text{C}$

3. Applications

- Electronic metering for electricity, water, and gas
- Precision timekeeping
- Access to accurate time of the day
- GPS equipment to reduce time to first fix
- Applications that require an accurate process timing
- Products with long automated unattended operation time

4. Ordering information

Table 1. Ordering information

| Type number | Package | | |
|-------------|---------|--|----------|
| | Name | Description | Version |
| PCF2127AT | SO20 | plastic small outline package; 20 leads; body width 7.5 mm | SOT163-1 |

4.1 Ordering options

Table 2. Ordering options

| Product type number | IC revision | Sales item (12NC) | Delivery form |
|----------------------------|-------------|-------------------|----------------------------------|
| PCF2127AT/1 ^[1] | 1 | 935290953512 | tube, dry pack |
| | | 935290953518 | tape and reel, 13 inch, dry pack |
| PCF2127AT/2 | 2 | 935299867518 | tape and reel, 13 inch, dry pack |

[1] Not to be used for new designs. Replacement part is PCF2127AT/2.

5. Marking

Table 3. Marking codes

| Product type number | Marking code |
|---------------------|--------------|
| PCF2127AT/1 | PCF2127AT |
| PCF2127AT/2 | PCF2127AT |

6. Block diagram

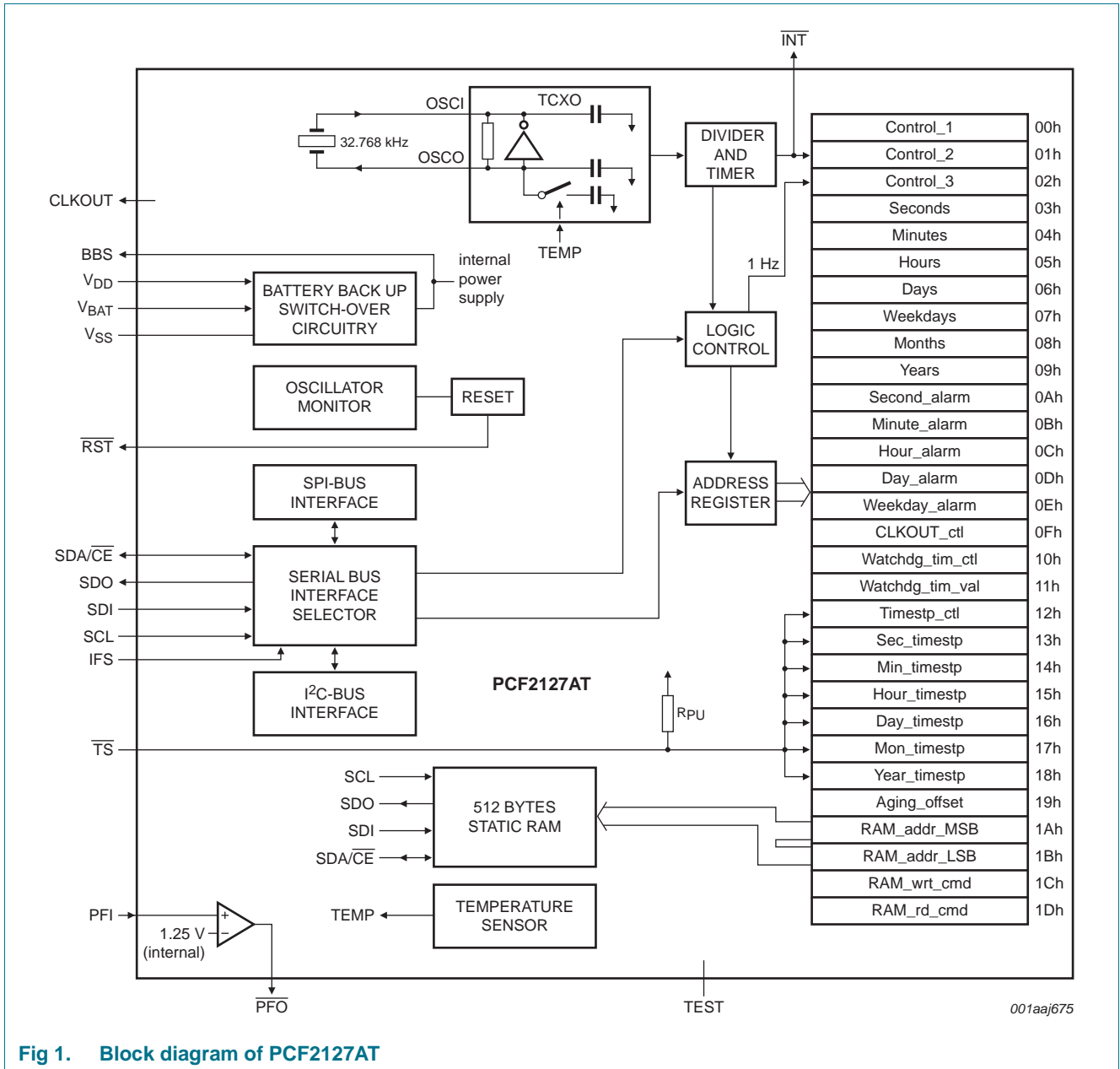
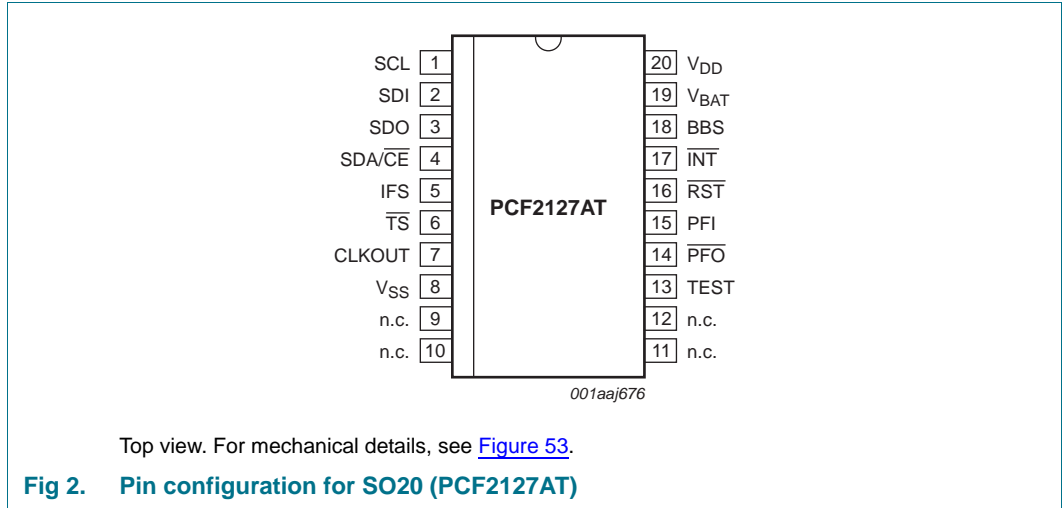


Fig 1. Block diagram of PCF2127AT

7. Pinning information

7.1 Pinning



7.2 Pin description

Table 4. Pin description of SO20 (PCF2127AT)

| Symbol | Pin | Description |
|-----------------|---------|---|
| SCL | 1 | combined serial clock input for both I ² C-bus and SPI-bus |
| SDI | 2 | serial data input for SPI-bus; connect to pin V _{SS} if I ² C-bus is selected |
| SDO | 3 | serial data output for SPI-bus, push-pull |
| SDA/CE | 4 | combined serial data input and output for the I ² C-bus and chip enable input (active LOW) for the SPI-bus |
| IFS | 5 | interface selector input connect to pin V _{SS} to select the SPI-bus connect to pin BBS to select the I ² C-bus |
| TS | 6 | timestamp input (active LOW) with 200 kΩ internal pull-up resistor (R _{PU}) |
| CLKOUT | 7 | clock output (open-drain) |
| V _{SS} | 8 | ground supply voltage |
| n.c. | 9 to 12 | not connected; do not connect; do not use as feed through |
| TEST | 13 | do not connect; do not use as feed through |
| PFO | 14 | power fail output (open-drain; active LOW) |
| PFI | 15 | power fail input |
| RST | 16 | reset output (open-drain; active LOW) |
| INT | 17 | interrupt output (open-drain; active LOW) |

Table 4. Pin description of SO20 (PCF2127AT) ...continued

| Symbol | Pin | Description |
|------------------|-----|--|
| BBS | 18 | output voltage (battery backed) |
| V _{BAT} | 19 | battery supply voltage (backup) connect to V _{SS} if battery switch over is not used |
| V _{DD} | 20 | supply voltage |

8. Functional description

The PCF2127AT is a Real Time Clock (RTC) and calendar with an on-chip Temperature Compensated Crystal (Xtal) Oscillator (TCXO) and a 32.768 kHz quartz crystal integrated into the same package (see [Section 8.3.2](#)).

Address and data are transferred by a selectable 400 kHz Fast-mode I²C-bus or a 3 line SPI-bus with separate data input and output (see [Section 9](#)). The maximum speed of the SPI-bus is 6.5 Mbit/s.

The PCF2127AT has a backup battery input pin and backup battery switch-over circuit which monitors the main power supply. The backup battery switch-over circuit automatically switches to the backup battery when a power failure condition is detected (see [Section 8.6.1](#)). Accurate timekeeping is maintained even when the main power supply is interrupted.

A battery low detection circuit monitors the status of the battery (see [Section 8.6.3](#)). When the battery voltage drops below a certain threshold value, a flag is set to indicate that the battery must be replaced soon. This ensures the integrity of the data during periods of battery backup.

8.1 Register overview

The PCF2127AT contains an auto-incrementing address register: the built-in address register will increment automatically after each read or write of a data byte up to the register 1Bh. After register 1Bh, the auto-incrementing will wrap around to address 00h (see [Figure 3](#)).

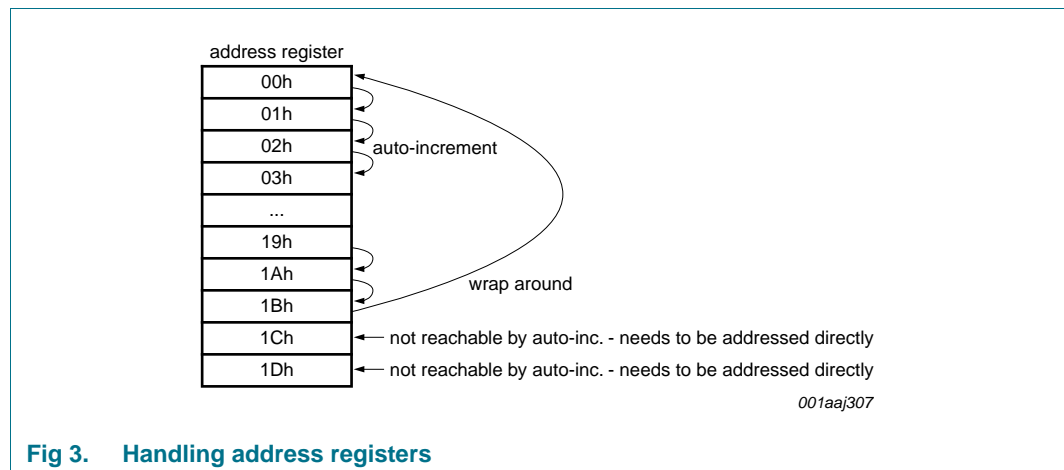


Fig 3. Handling address registers

- The first three registers (memory address 00h, 01h, and 02h) are used as control registers (see [Section 8.2](#)).
- The registers at addresses 03h through to 09h are used as counters for the clock function (seconds up to years). The date is automatically adjusted for months with fewer than 31 days, including corrections for leap years. The clock can operate in 12-hour mode with an AM/PM indication or in 24-hour mode (see [Section 8.9](#)).
- The registers at addresses 0Ah through 0Eh define the alarm function. It can be selected that an interrupt is generated when an alarm event occurs (see [Section 8.10](#)).

- The register at address 0Fh defines the temperature measurement period and the clock out mode. The temperature measurement can be selected from every 4 minutes (default) down to every 30 seconds (see [Table 10](#)). CLKOUT frequencies of 32.768 kHz (default) down to 1 Hz for use as system clock, microcontroller clock, and so on, can be chosen (see [Table 11](#)).
- The registers at addresses 10h and 11h are used for the watchdog and countdown timer functions. The watchdog timer has four selectable source clocks allowing for timer periods from less than 1 ms to greater than 4 hours (see [Table 37](#)). Either the watchdog timer or the countdown timer can be enabled (see [Section 8.11](#)). For the watchdog timer, it is possible to select whether an interrupt or a pulse on the reset pin will be generated when the watchdog times out. For the countdown timer, it is only possible that an interrupt will be generated at the end of the countdown.
- The registers at addresses 12h to 18h are used for the timestamp function. When the trigger event happens, the actual time is saved in the timestamp registers (see [Section 8.12](#)).
- The register at address 19h is used for the correction of the crystal aging effect (see [Section 8.4.1](#)).
- The registers at addresses 1Ah and 1Bh define the RAM address. The register at address 1Ch (RAM_wrt_cmd) is the RAM write command; the register at 1Dh (RAM_rd_cmd) is the RAM read command. Data is transferred to or from the RAM by the serial interface (see [Section 8.5](#)).
- The registers Seconds, Minutes, Hours, Days, Months, and Years are all coded in Binary Coded Decimal (BCD) format to simplify application use. Other registers are either bit-wise or standard binary.

When one of the RTC registers is written or read, the content of all counters is temporarily frozen. This prevents a faulty writing or reading of the clock and calendar during a carry condition (see [Section 8.9.8](#)).

Table 5. Register overview

Bit positions labeled as - are not implemented and will return a 0 when read. Bit T must always be written with logic 0. Bits labeled as X are undefined at power-on and unchanged by subsequent resets.

| Address | Register name | Bit | | | | | | | | Reset value |
|--------------------------------|-----------------|------------------------|--------------------------|-------------------------------------|-------------------------------------|----------|------------------------|--------------|---------------|-------------|
| | | 7 | 6 | 5 | 4 | 3 | 2 | 1 | 0 | |
| Control registers | | | | | | | | | | |
| 00h | Control_1 | EXT_TEST | T | STOP | TSF1 | POR_OVRD | 12_24 | MI | SI | 0000 0000 |
| 01h | Control_2 | MSF | WDTF | TSF2 | AF | CDTF | TSIE | AIE | CDTIE | 0000 0000 |
| 02h | Control_3 | PWRMNG[2:0] | | | BTSE | BF | BLF | BIE | BLIE | 0000 0000 |
| Time and date registers | | | | | | | | | | |
| 03h | Seconds | OSF | SECONDS (0 to 59) | | | | | | | 1XXX XXXX |
| 04h | Minutes | - | MINUTES (0 to 59) | | | | | | | - XXX XXXX |
| 05h | Hours | - | - | AMPM | HOURS (1 to 12) in 12 h mode | | | | - - XX XXXX | |
| | | | | HOURS (0 to 23) in 24 h mode | | | | - - XX XXXX | | |
| 06h | Days | - | - | DAYS (1 to 31) | | | | - - XX XXXX | | |
| 07h | Weekdays | - | - | - | - | - | WEEKDAYS (0 to 6) | | - - - - XXX | |
| 08h | Months | - | - | - | MONTHS (1 to 12) | | | | - - - X XXXX | |
| 09h | Years | YEARS (0 to 99) | | | | | | | XXXX XXXX | |
| Alarm registers | | | | | | | | | | |
| 0Ah | Second_alarm | AE_S | SECOND_ALARM (0 to 59) | | | | | | | 1XXX XXXX |
| 0Bh | Minute_alarm | AE_M | MINUTE_ALARM (0 to 59) | | | | | | | 1XXX XXXX |
| 0Ch | Hour_alarm | AE_H | - | AMPM | HOUR_ALARM (1 to 12) in 12 h mode | | | | 1 - XX XXXX | |
| | | | | HOUR_ALARM (0 to 23) in 24 h mode | | | | 1 - XX XXXX | | |
| 0Dh | Day_alarm | AE_D | - | DAY_ALARM (1 to 31) | | | | 1 - XX XXXX | | |
| 0Eh | Weekday_alarm | AE_W | - | - | - | - | WEEKDAY_ALARM (0 to 6) | | 1 - - - - XXX | |
| CLKOUT control register | | | | | | | | | | |
| 0Fh | CLKOUT_ctl | TCR[1:0] | | - | - | - | COF[2:0] | | 00 - - - 000 | |
| Watchdog registers | | | | | | | | | | |
| 10h | Watchdg_tim_ctl | WD_CD[1:0] | | TI_TP | - | - | - | TF[1:0] | 000 - - - 11 | |
| 11h | Watchdg_tim_val | WATCHDGD_TIM_VAL[7:0] | | | | | | | XXXX XXXX | |
| Timestamp registers | | | | | | | | | | |
| 12h | Timestp_ctl | TSM | TSOFF | - | 1_O_16_TIMESTP[4:0] | | | | 00 - X XXXX | |
| 13h | Sec_timestp | - | SECOND_TIMESTP (0 to 59) | | | | | | | - XXX XXXX |
| 14h | Min_timestp | - | MINUTE_TIMESTP (0 to 59) | | | | | | | - XXX XXXX |
| 15h | Hour_timestp | - | - | AMPM | HOUR_TIMESTP (1 to 12) in 12 h mode | | | | - - XX XXXX | |
| | | | | HOUR_TIMESTP (0 to 23) in 24 h mode | | | | - - XX XXXX | | |
| 16h | Day_timestp | - | - | DAY_TIMESTP (1 to 31) | | | | - - XX XXXX | | |
| 17h | Mon_timestp | - | - | - | MONTH_TIMESTP (1 to 12) | | | | - - - X XXXX | |
| 18h | Year_timestp | YEAR_TIMESTP (0 to 99) | | | | | | | XXXX XXXX | |
| Aging offset register | | | | | | | | | | |
| 19h | Aging_offset | - | - | - | - | AO[3:0] | | - - - - 1000 | | |

Table 5. Register overview ...continued

Bit positions labeled as - are not implemented and will return a 0 when read. Bit T must always be written with logic 0. Bits labeled as X are undefined at power-on and unchanged by subsequent resets.

| Address | Register name | Bit | | | | | | | | Reset value | |
|----------------------|---------------|---------|---|---|---|---|---|---|---|-------------|-----------|
| | | 7 | 6 | 5 | 4 | 3 | 2 | 1 | 0 | | |
| RAM registers | | | | | | | | | | | |
| 1Ah | RAM_addr_MSB | - | - | - | - | - | - | - | - | RA8 | ---- -- 0 |
| 1Bh | RAM_addr_LSB | RA[7:0] | | | | | | | | 0000 0000 | |
| 1Ch | RAM_wrt_cmd | X | X | X | X | X | X | X | X | X | XXXX XXXX |
| 1Dh | RAM_rd_cmd | X | X | X | X | X | X | X | X | X | XXXX XXXX |

8.2 Control registers

The first 3 registers of the PCF2127AT, with the addresses 00h, 01h, and 02h, are used as control registers.

8.2.1 Register Control_1

Table 6. Control_1 - control and status register 1 (address 00h) bit description

| Bit | Symbol | Value | Description | Reference |
|-----|----------|-------|--|--------------------------------|
| 7 | EXT_TEST | 0 | [1] normal mode | Section 8.14 |
| | | 1 | external clock test mode | |
| 6 | T | 0 | [2] unused | - |
| 5 | STOP | 0 | [1] RTC source clock runs | Section 8.15 |
| | | 1 | RTC clock is stopped; RTC divider chain flip-flops are asynchronously set logic 0; CLKOUT at 32.768 kHz, 16.384 kHz, or 8.192 kHz is still available | |
| 4 | TSF1 | 0 | [1] no timestamp interrupt generated | Section 8.12.1 |
| | | 1 | flag set when \overline{TS} input is driven to an intermediate level between power supply and ground; flag must be cleared to clear interrupt | |
| 3 | POR_OVRD | 0 | [1] Power-On Reset Override (PORO) facility disabled; set logic 0 for normal operation | Section 8.8.2 |
| | | 1 | Power-On Reset Override (PORO) sequence reception enabled | |
| 2 | 12_24 | 0 | [1] 24 hour mode selected | Table 23 |
| | | 1 | 12 hour mode selected | |
| 1 | MI | 0 | [1] minute interrupt disabled | Section 8.13 |
| | | 1 | minute interrupt enabled | |
| 0 | SI | 0 | [1] second interrupt disabled | |
| | | 1 | second interrupt enabled | |

[1] Default value.

[2] When writing to the register this bit always has to be set logic 0.

8.2.2 Register Control_2

Table 7. Control_2 - control and status register 2 (address 01h) bit description

| Bit | Symbol | Value | Description | Reference |
|-----|--------|-------|---|--------------------------------|
| 7 | MSF | 0 | [1] no minute or second interrupt generated | Section 8.13 |
| | | 1 | flag set when minute or second interrupt generated; flag must be cleared to clear interrupt | |
| 6 | WDTF | 0 | [1] no watchdog timer interrupt or reset generated | Section 8.13.4 |
| | | 1 | flag set when watchdog timer interrupt or reset generated; flag cannot be cleared by command (read-only) | |
| 5 | TSF2 | 0 | [1] no timestamp interrupt generated | Section 8.12.1 |
| | | 1 | flag set when \overline{TS} input is driven to ground; flag must be cleared to clear interrupt | |
| 4 | AF | 0 | [1] no alarm interrupt generated | Section 8.10.6 |
| | | 1 | flag set when alarm triggered; flag must be cleared to clear interrupt | |
| 3 | CDTF | 0 | [1] no countdown timer interrupt generated | Section 8.11.4 |
| | | 1 | flag set when countdown timer interrupt generated; flag must be cleared to clear interrupt | |
| 2 | TSIE | 0 | [1] no interrupt generated from timestamp flag | Section 8.13.6 |
| | | 1 | interrupt generated when timestamp flag set | |
| 1 | AIE | 0 | [1] no interrupt generated from the alarm flag | Section 8.13.5 |
| | | 1 | interrupt generated when alarm flag set | |
| 0 | CDTIE | 0 | [1] no interrupt generated from countdown timer flag | Section 8.13.2 |
| | | 1 | interrupt generated when countdown timer flag set | |

[1] Default value.

8.2.3 Register Control_3

Table 8. Control_3 - control and status register 3 (address 02h) bit description

| Bit | Symbol | Value | Description | Reference |
|--------|-------------|-------|---|--------------------------------|
| 7 to 5 | PWRMNG[2:0] | [1] | control of the battery switch-over, battery low detection, and extra power fail detection functions | Section 8.6 |
| 4 | BTSE | 0 | [2] no timestamp when battery switch-over occurs | Section 8.12.4 |
| | | 1 | time-stamped when battery switch-over occurs | |
| 3 | BF | 0 | [2] no battery switch-over interrupt generated | Section 8.6.1 |
| | | 1 | flag set when battery switch-over occurs; flag must be cleared to clear interrupt | |
| 2 | BLF | 0 | [2] battery status ok; no battery low interrupt generated | Section 8.6.3 |
| | | 1 | battery status low; flag cannot be cleared by command | |
| 1 | BIE | 0 | [2] no interrupt generated from the battery flag (BF) | Section 8.13.7 |
| | | 1 | interrupt generated when BF is set | |
| 0 | BLIE | 0 | [2] no interrupt generated from battery low flag (BLF) | Section 8.13.8 |
| | | 1 | interrupt generated when BLF is set | |

[1] Values see [Table 18](#).

[2] Default value.

8.3 Register CLKOUT_ctl

Table 9. CLKOUT_ctl - CLKOUT control register (address 0Fh) bit description

| Bit | Symbol | Value | Description |
|--------|----------|------------------------------|--------------------------------|
| 7 to 6 | TCR[1:0] | see Table 10 | temperature measurement period |
| 5 to 3 | - | - | unused |
| 2 to 0 | COF[2:0] | see Table 11 | CLKOUT frequency selection |

8.3.1 Temperature compensated crystal oscillator

The frequency of tuning fork quartz crystal oscillators is temperature-dependent. In the PCF2127AT, the frequency deviation caused by temperature variation is corrected by adjusting the load capacitance of the crystal oscillator.

The load capacitance is changed by switching between two load capacitance values using a modulation signal with a programmable duty cycle. In order to compensate the spread of the quartz parameters every chip is factory calibrated.

The frequency accuracy can be evaluated by measuring the frequency of the square wave signal available at the output pin CLKOUT. However, the selection of $f_{CLKOUT} = 32.768$ kHz (default value) leads to inaccurate measurements. Accurate frequency measurement occurs when $f_{CLKOUT} = 16.384$ kHz or lower is selected (see [Table 11](#)).

8.3.1.1 Temperature measurement

The PCF2127AT has a temperature sensor circuit used to perform the temperature compensation of the frequency. The temperature is measured immediately after power-on and then periodically with a period set by the temperature conversion rate TCR[1:0] in the register CLKOUT_ctl.

Table 10. Temperature measurement period

| TCR[1:0] | Temperature measurement period |
|----------|--------------------------------|
| 00 | ^[1] 4 min |
| 01 | 2 min |
| 10 | 1 min |
| 11 | 30 seconds |

[1] Default value.

8.3.2 Clock output

A programmable square wave is available at pin CLKOUT. Operation is controlled by the COF[2:0] control bits in register CLKOUT_ctl. Frequencies of 32.768 kHz (default) down to 1 Hz can be generated for use as system clock, microcontroller clock, charge pump input, or for calibrating the oscillator.

CLKOUT is an open-drain output and enabled at power-on. When disabled, the output is high-impedance.

The duty cycle of the selected clock is not controlled, however, due to the nature of the clock generation all but the 32.768 kHz frequencies will be 50 : 50.

Table 11. CLKOUT frequency selection

| COF[2:0] | CLKOUT frequency (Hz) | Typical duty cycle ^[1] |
|-----------------------|-----------------------|-----------------------------------|
| 000 ^{[2][3]} | 32768 | 60 : 40 to 40 : 60 |
| 001 | 16384 | 50 : 50 |
| 010 | 8192 | 50 : 50 |
| 011 | 4096 | 50 : 50 |
| 100 | 2048 | 50 : 50 |
| 101 | 1024 | 50 : 50 |
| 110 | 1 | 50 : 50 |
| 111 | CLKOUT = high-Z | - |

[1] Duty cycle definition: % HIGH-level time : % LOW-level time.

[2] Default value.

[3] The specified accuracy of the RTC can be only achieved with CLKOUT frequencies not equal to 32.768 kHz or if CLKOUT is disabled.

8.4 Register Aging_offset

Table 12. Aging_offset - crystal aging offset register (address 19h) bit description

| Bit | Symbol | Value | Description |
|--------|---------|------------------------------|--------------------|
| 7 to 4 | - | - | unused |
| 3 to 0 | AO[3:0] | see Table 13 | aging offset value |

8.4.1 Crystal aging correction

The PCF2127AT has an offset register Aging_offset to correct the crystal aging effects³.

The accuracy of the frequency of a quartz crystal depends on its aging. The aging offset adds an adjustment, positive or negative, in the temperature compensation circuit which allows correcting the aging effect.

At 25 °C, the aging offset bits allow a frequency correction of typically 1 ppm per AO[3:0] value, from -7 ppm to +8 ppm.

Table 13. Frequency correction at 25 °C, typical

| AO[3:0] | | ppm |
|---------|--------|-----------------------|
| Decimal | Binary | |
| 0 | 0000 | +8 |
| 1 | 0001 | +7 |
| 2 | 0010 | +6 |
| 3 | 0011 | +5 |
| 4 | 0100 | +4 |
| 5 | 0101 | +3 |
| 6 | 0110 | +2 |
| 7 | 0111 | +1 |
| 8 | 1000 | [1] 0 |
| 9 | 1001 | -1 |
| 10 | 1010 | -2 |
| 11 | 1011 | -3 |
| 12 | 1100 | -4 |
| 13 | 1101 | -5 |
| 14 | 1110 | -6 |
| 15 | 1111 | -7 |

[1] Default value.

3. For further information, refer to the application note [Ref. 3 "AN10857"](#).

8.5 General purpose 512 bytes static RAM

The PCF2127AT contains a general purpose 512 bytes static RAM. This integrated SRAM is battery backed and can therefore be used to store data which is essential for the application to survive a power outage.

9 bits, RA[8:0], define the RAM address pointer in registers RAM_addr_MSB and RAM_addr_LSB. The register address pointer increments after each read or write automatically up to 1Bh and then wraps around to address 00h (see [Figure 3 on page 6](#)).

Data is transferred to or from the RAM by the interface. To write to the RAM, the register RAM_wrt_cmd, to read from the RAM the register RAM_rd_cmd must be addressed explicitly.

8.5.1 Register RAM_addr_MSB

Table 14. RAM_addr_MSB - RAM address MSB register (address 1Ah) bit description

| Bit | Symbol | Description |
|--------|--------|--|
| 7 to 1 | - | unused |
| 0 | RA8 | RAM address, MSB (9 th bit) |

8.5.2 Register RAM_addr_LSB

Table 15. RAM_addr_LSB - RAM address LSB register (address 1Bh) bit description

| Bit | Symbol | Description |
|--------|---------|---|
| 7 to 0 | RA[7:0] | RAM address, LSB (1 st to 8 th bit) |

8.5.3 Register RAM_wrt_cmd

Table 16. RAM_wrt_cmd - RAM write command register (address 1Ch) bit description

| Bit | Symbol | Description |
|--------|--------|-----------------------------|
| 7 to 0 | - | data to be written into RAM |

8.5.4 Register RAM_rd_cmd

Table 17. RAM_rd_cmd - RAM read command register (address 1Dh) bit description

| Bit | Symbol | Description |
|--------|--------|--------------------------|
| 7 to 0 | - | data to be read from RAM |

8.5.5 Operation examples

8.5.5.1 Writing to the RAM

1. Set RAM address:
 - Select register RAM_addr_MSB (send address 1Ah).
 - Set value for bit RA8 (data byte of register 1Ah).
Note: register address will be incremented automatically to 1Bh.
 - Set value for array RA[7:0] (data byte of register 1Bh).
2. Send RAM write command:
 - Select register RAM_wrt_cmd (send address 1Ch).
3. Write data into the RAM:
 - Write n data byte into RAM.

For details, see [Figure 44 on page 62](#).

8.5.5.2 Reading from the RAM

1. Set RAM address:
 - Select register RAM_addr_MSB (send address 1Ah).
 - Set value for bit RA8 (data byte of register 1Ah).
Note: register address will be incremented automatically to 1Bh.
 - Set value for array RA[7:0] (data byte of register 1Bh).
2. Send RAM read command:
 - Select register RAM_rd_cmd (send address 1Dh).
3. Read from the RAM:
 - Read n data byte from the RAM.

For details, see [Figure 45 on page 63](#).

8.6 Power management functions

The PCF2127AT has two power supply pins and one power output pin:

- V_{DD} - the main power supply input pin
- V_{BAT} - the battery backup input pin
- BBS - battery backed output voltage pin (equal to the internal power supply)

The PCF2127AT has three power management functions implemented:

- Battery switch-over function
- Battery low detection function
- Extra power fail detection function

The power management functions are controlled by the control bits PWRMNG[2:0] in register Control_3:

Table 18. Power management control bit description

| PWRMNG[2:0] | Function |
|-------------|--|
| 000 | [1] battery switch-over function is enabled in standard mode; battery low detection function is enabled; extra power fail detection function is enabled |
| 001 | battery switch-over function is enabled in standard mode; battery low detection function is disabled; extra power fail detection function is enabled |
| 010 | battery switch-over function is enabled in standard mode; battery low detection function is disabled; extra power fail detection function is disabled |
| 011 | battery switch-over function is enabled in direct switching mode; battery low detection function is enabled; extra power fail detection function is enabled |
| 100 | battery switch-over function is enabled in direct switching mode; battery low detection function is disabled; extra power fail detection function is enabled |
| 101 | battery switch-over function is enabled in direct switching mode; battery low detection function is disabled; extra power fail detection function is disabled |
| 110 | [2] battery switch-over function is disabled - only one power supply (V_{DD}); battery low detection function is disabled; extra power fail detection function is enabled |
| 111 | [2] battery switch-over function is disabled - only one power supply (V_{DD}); battery low detection function is disabled; extra power fail detection function is disabled |

[1] Default value.

[2] When the battery switch-over function is disabled, the PCF2127AT works only with the power supply V_{DD} ; V_{BAT} must be put to ground and the battery low detection function is disabled.

8.6.1 Battery switch-over function

The PCF2127AT has a backup battery switch-over circuit which monitors the main power supply V_{DD} . When a power failure condition is detected, it automatically switches to the backup battery.

One of two operation modes can be selected:

- **Standard mode:** the power failure condition happens when:
 $V_{DD} < V_{BAT}$ AND $V_{DD} < V_{th(sw)bat}$
 $V_{th(sw)bat}$ is the battery switch threshold voltage. Typical value is 2.5 V. The battery switch-over in standard mode works only for $V_{DD} > 2.5$ V.
- **Direct switching mode:** the power failure condition happens when $V_{DD} < V_{BAT}$.
Direct switching from V_{DD} to V_{BAT} without requiring V_{DD} to drop below $V_{th(sw)bat}$

When a power failure condition occurs and the power supply switches to the battery, the following sequence occurs:

1. The battery switch flag BF (register Control_3) is set logic 1.
2. An interrupt is generated if the control bit BIE (register Control_3) is enabled (see [Section 8.13.7](#)).
3. If the control bit BTSE (register Control_3) is logic 1, the timestamp registers store the time and date when the battery switch occurred (see [Section 8.12.4](#)).
4. The battery switch flag BF is cleared by command; it must be cleared to clear the interrupt.

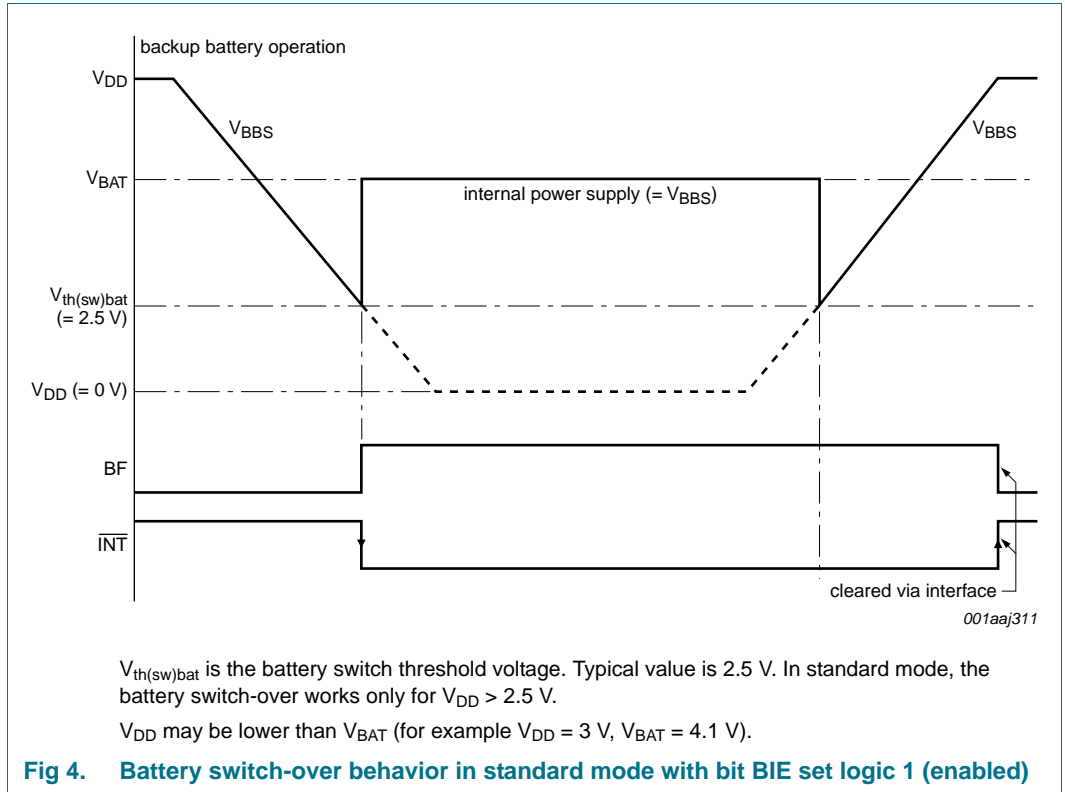
The interface is disabled in battery backup operation:

- Interface inputs are not recognized, preventing extraneous data being written to the device
- Interface outputs are high-impedance

8.6.1.1 Standard mode

If $V_{DD} > V_{BAT}$ OR $V_{DD} > V_{th(sw)bat}$, the internal power supply is V_{DD} .

If $V_{DD} < V_{BAT}$ AND $V_{DD} < V_{th(sw)bat}$, the internal power supply is V_{BAT} .



8.6.1.2 Direct switching mode

If $V_{DD} > V_{BAT}$, the internal power supply is V_{DD} .

If $V_{DD} < V_{BAT}$, the internal power supply is V_{BAT} .

The direct switching mode is useful in systems where V_{DD} is higher than V_{BAT} at all times. This mode is not recommended if the V_{DD} and V_{BAT} values are similar (for example, $V_{DD} = 3.3\text{ V}$, $V_{BAT} \geq 3.0\text{ V}$). In direct switching mode, the power consumption is reduced compared to the standard mode because the monitoring of V_{DD} and $V_{th(sw)bat}$ is not performed.

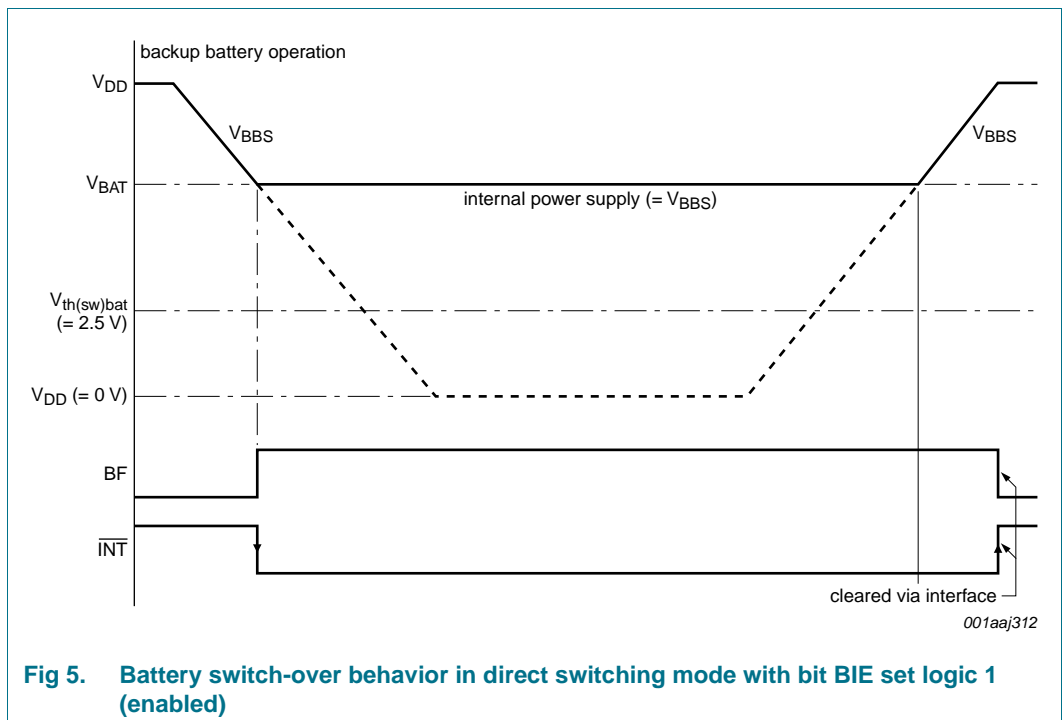


Fig 5. Battery switch-over behavior in direct switching mode with bit BIE set logic 1 (enabled)

8.6.1.3 Battery switch-over disabled: only one power supply (V_{DD})

When the battery switch-over function is disabled:

- The power supply is applied on the V_{DD} pin
- The V_{BAT} pin must be connected to ground
- The internal power supply, available at the output pin BBS, is equal to V_{DD}
- The battery flag (BF) is always logic 0

8.6.1.4 Battery switch-over architecture

The architecture of the battery switch-over circuit is shown in [Figure 6](#).

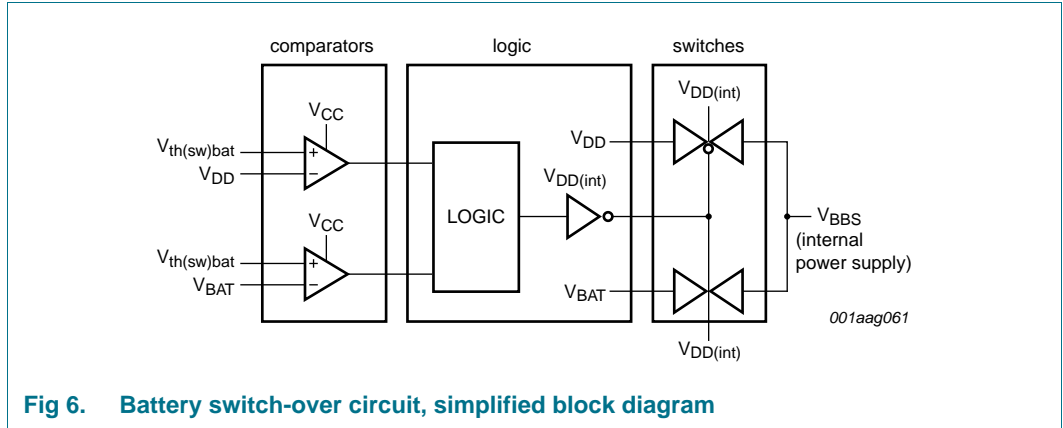


Fig 6. Battery switch-over circuit, simplified block diagram

The internal power supply (available on pin BBS) is equal to V_{DD} or V_{BAT} . It has to be assured that there are decoupling capacitors on the pins V_{DD} , V_{BAT} , and BBS.

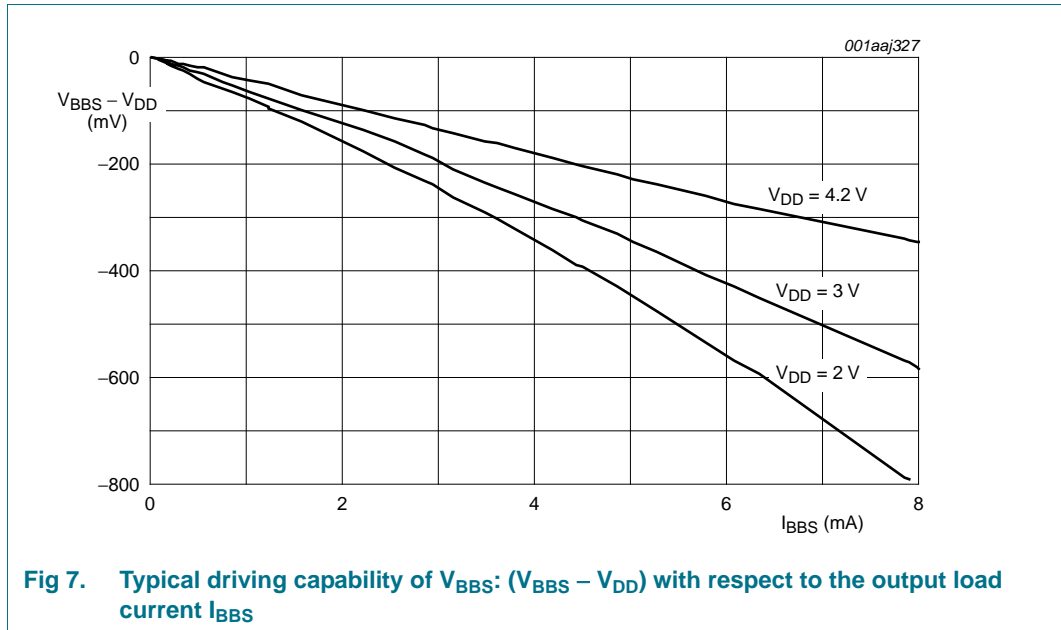
8.6.2 Battery backup supply

The V_{BBS} voltage on the output pin BBS is equal to the internal power supply, depending on the selected battery switch-over function mode:

Table 19. Output pin BBS

| Battery switch-over function mode | Conditions | V_{BBS} equals |
|-----------------------------------|---|------------------|
| standard | $V_{DD} > V_{BAT}$ OR $V_{DD} > V_{th(sw)bat}$ | V_{DD} |
| | $V_{DD} < V_{BAT}$ AND $V_{DD} < V_{th(sw)bat}$ | V_{BAT} |
| direct switching | $V_{DD} > V_{BAT}$ | V_{DD} |
| | $V_{DD} < V_{BAT}$ | V_{BAT} |
| disabled | only V_{DD} available, V_{BAT} must be put to ground | V_{DD} |

The output pin BBS can be used as a supply for external devices with battery backup needs, such as SRAM (see [Ref. 3 "AN10857"](#)). For this case, [Figure 7](#) shows the typical driving capability when V_{BBS} is driven from V_{DD} .



8.6.3 Battery low detection function

The PCF2127AT has a battery low detection circuit which monitors the status of the battery V_{BAT} .

When V_{BAT} drops below the threshold value $V_{th(bat)low}$ (typically 2.5 V), the BLF flag (register Control_3) is set to indicate that the battery is low and that it must be replaced. Monitoring of the battery voltage also occurs during battery operation.

An unreliable battery cannot prevent that the supply voltage drops below V_{low} (typical 1.2 V) and with that the data integrity gets lost.

When V_{BAT} drops below the threshold value $V_{th(bat)low}$, the following sequence occurs (see [Figure 8](#)):

1. The battery low flag BLF is set logic 1.
2. An interrupt is generated if the control bit BLIE (register Control_3) is enabled (see [Section 8.13.8](#)).
3. The flag BLF remains logic 1 until the battery is replaced. BLF cannot be cleared by command. It is cleared automatically by the battery low detection circuit when the battery is replaced.

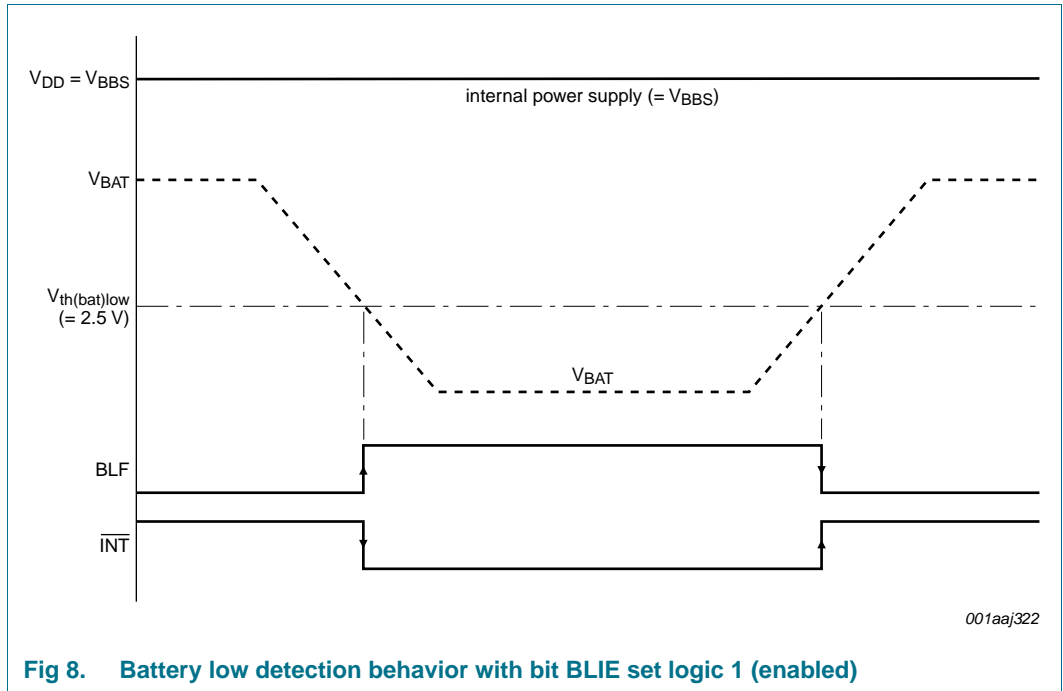


Fig 8. Battery low detection behavior with bit BLIE set logic 1 (enabled)

8.6.4 Extra power fail detection function

The PCF2127AT has an extra power fail detection circuit which compares the voltage at the power fail input pin PFI to an internal reference voltage equal to 1.25 V.

If $V_{PFI} < 1.25\text{ V}$, the power fail output \overline{PFO} is driven LOW. \overline{PFO} is an open-drain, active LOW output which requires an external pull-up resistor in any application.

The extra power fail detection function is typically used as a low voltage detection for the main power supply V_{DD} (see Figure 9).

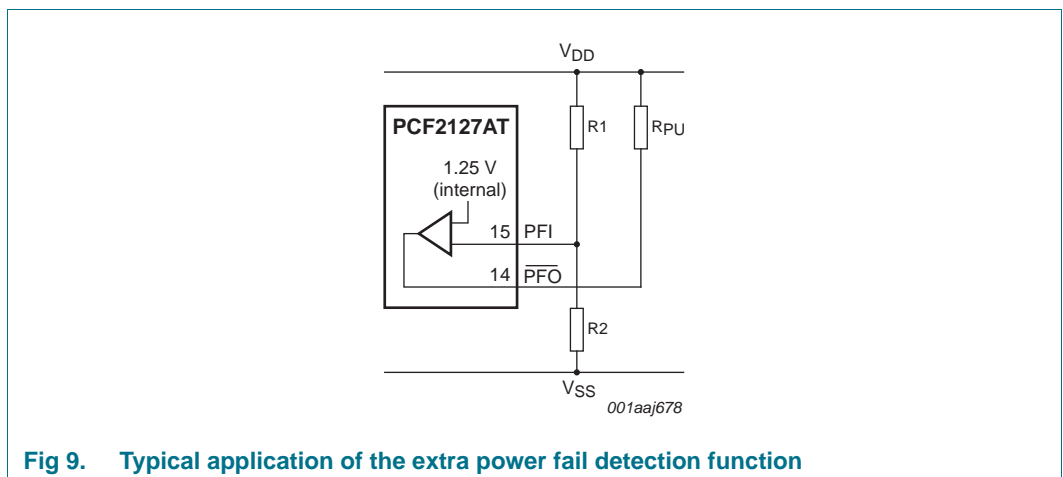


Fig 9. Typical application of the extra power fail detection function

Usually R1 and R2 should be chosen such that the voltage at pin PFI

- is higher than 1.25 V at start-up
- falls below 1.25 V when V_{DD} falls below a desired threshold voltage, $V_{th(uvp)}$, defined by Equation 1:

$$V_{th(uvp)} = \left(\frac{R_1}{R_2} + 1 \right) \times 1.25V \tag{1}$$

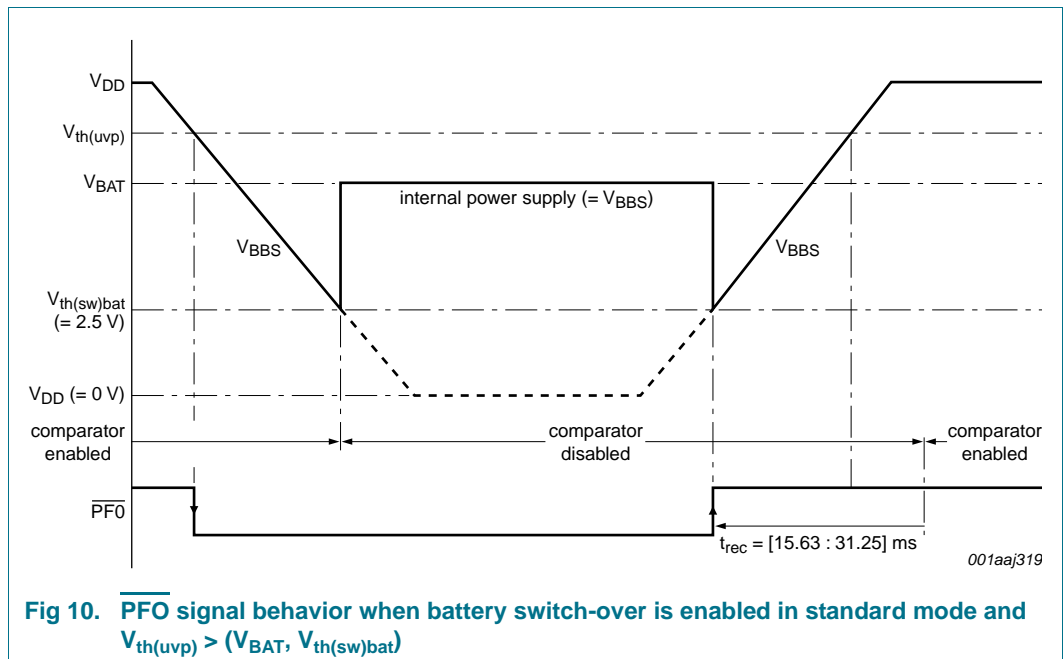
$V_{th(uvp)}$ value is usually set to a value that there are several milliseconds before V_{DD} falls below the minimum operating voltage of the system, in order to allow the microcontroller to perform early backup operations.

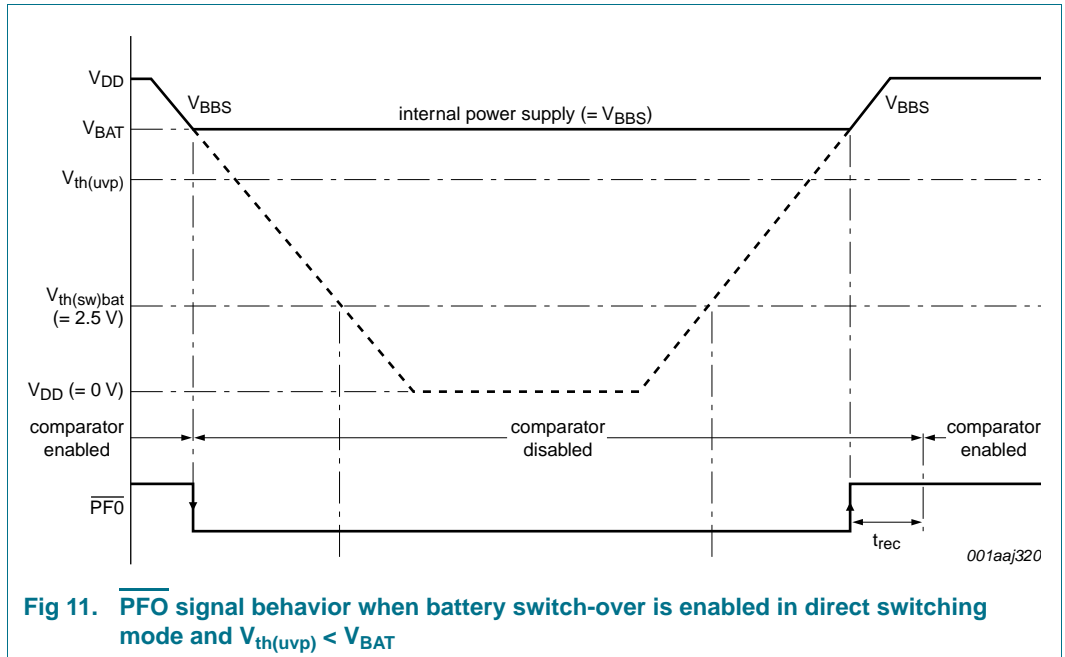
If the extra power fail detection function is not used, pin \overline{PFI} must be connected to V_{SS} and pin \overline{PFO} must be left open circuit.

8.6.4.1 Extra power fail detection when the battery switch over function is enabled

- When the power switches to the backup battery supply V_{BAT} , the power fail comparator is switched off and the power fail output at pin \overline{PFO} goes (or remains) LOW
- When the power switches back to the main V_{DD} , the pin \overline{PFO} is not driven LOW anymore and is pulled HIGH through the external pull-up resistance for a certain time ($t_{rec} = 15.63 \text{ ms to } 31.25 \text{ ms}$) and then the power fail comparator is enabled again

For illustration, see [Figure 10](#) and [Figure 11](#).

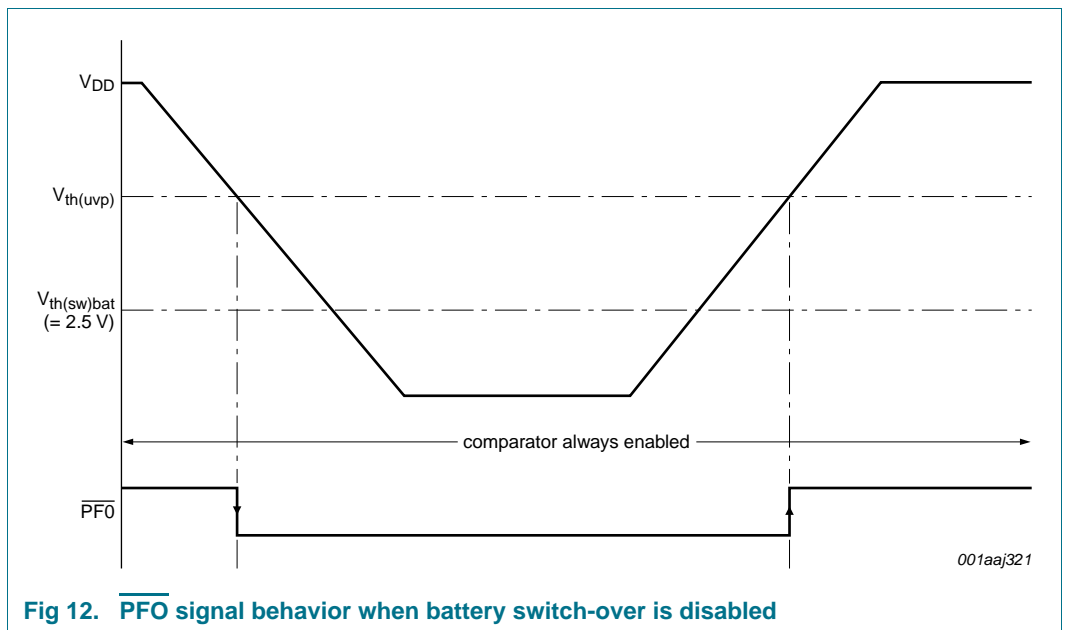




8.6.4.2 Extra power fail detection when the battery switch-over function is disabled

If the battery switch-over function is disabled and the power fail comparator is enabled, the power fail output at pin $\overline{\text{PFO}}$ depends only on the result of the comparison between V_{PFI} and 1.25 V:

- If $V_{PFI} > 1.25 \text{ V}$, $\overline{\text{PFO}} = \text{HIGH}$ (through the external pull-up resistor)
- If $V_{PFI} < 1.25 \text{ V}$, $\overline{\text{PFO}} = \text{LOW}$



8.7 Oscillator stop detection function

The PCF2127AT has an on-chip oscillator detection circuit which monitors the status of the oscillation: whenever the oscillation stops, a reset occurs and the oscillator stop flag OSF (in register Seconds) is set logic 1.

- **Power-on:**
 - a. The oscillator is not running, the chip is in reset (pin \overline{RST} is LOW and flag OSF is logic 1).
 - b. When the oscillator starts running and is stable after power-on, the chip exits from reset (pin \overline{RST} is HIGH).
 - c. The flag OSF is still logic 1 and can be cleared (OSF set logic 0) by command.
- **Power supply failure:**
 - a. When the power supply of the chip (V_{BBS} , see [Section 8.6.2](#)) drops below a certain value (V_{low}), typically 1.2 V, the oscillator stops running and a reset occurs.
 - b. When the power supply returns to normal operation, the oscillator starts running again, the chip exits from reset.
 - c. The flag OSF is still logic 1 and can be cleared (OSF set logic 0) by command.

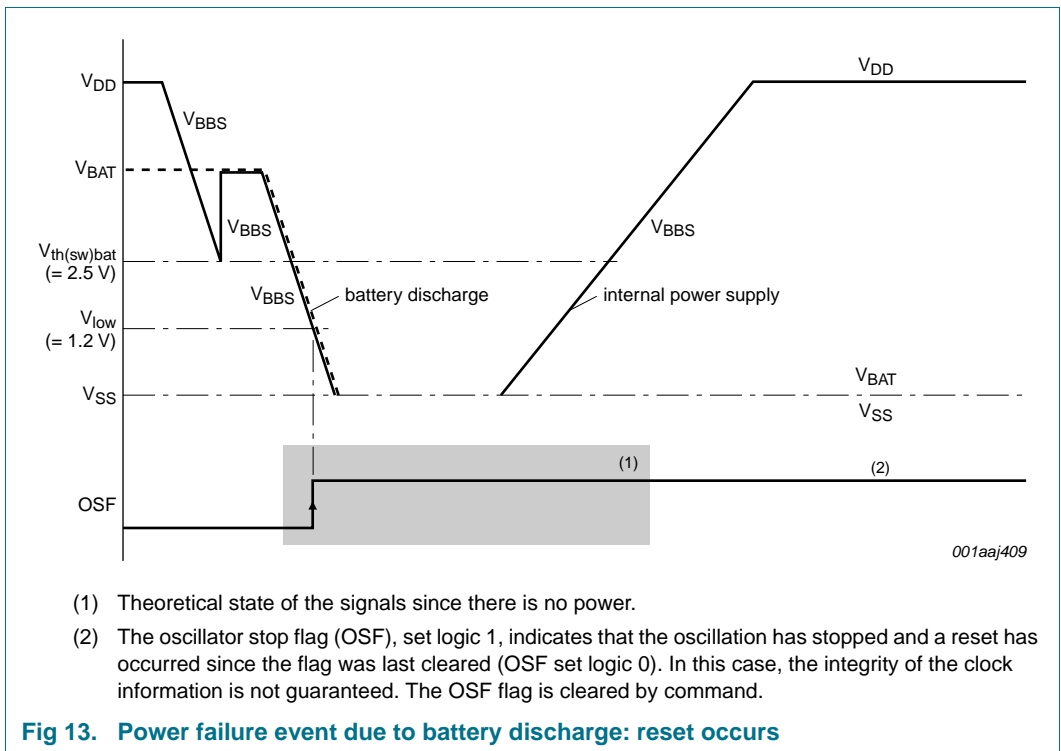


Fig 13. Power failure event due to battery discharge: reset occurs

8.8 Reset function

The PCF2127AT has a Power-On Reset (POR) and a Power-On Reset Override (PORO) function implemented.

8.8.1 Power-On Reset (POR)

The POR is active whenever the oscillator is stopped. The oscillator is also considered to be stopped during the time between power-on and stable crystal resonance (see [Figure 14](#)). This time may be in the range of 200 ms to 2 s depending on temperature and supply voltage. Whenever an internal reset occurs, the oscillator stop flag is set (OSF set logic 1).

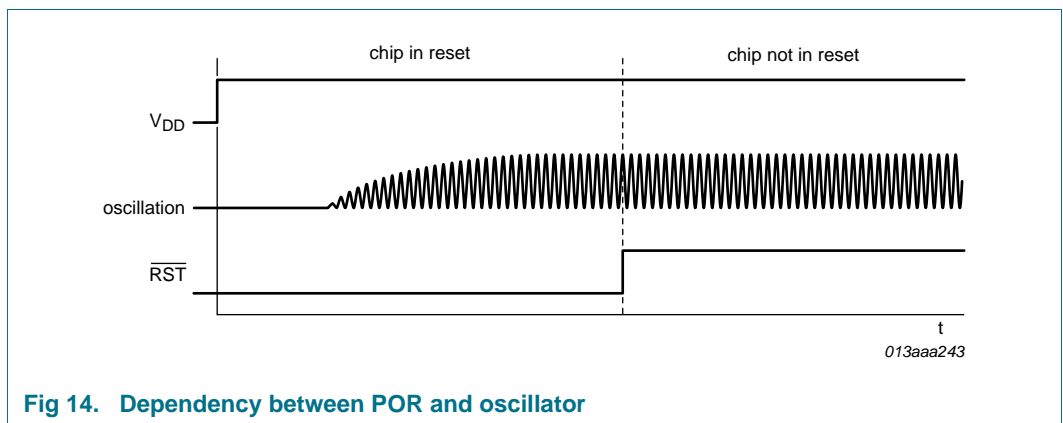


Fig 14. Dependency between POR and oscillator

After POR, the following mode is entered:

- 32.768 kHz CLKOUT active
- Power-On Reset Override (PORO) available to be set
- 24 hour mode is selected
- Battery switch-over is enabled
- Battery low detection is enabled
- Extra power fail detection is enabled

The register values after power-on are shown in [Table 5](#).

8.8.2 Power-On Reset Override (PORO)

The POR duration is directly related to the crystal oscillator start-up time. Due to the long start-up times experienced by these types of circuits, a mechanism has been built in to disable the POR and therefore speed up the on-board test of the device.

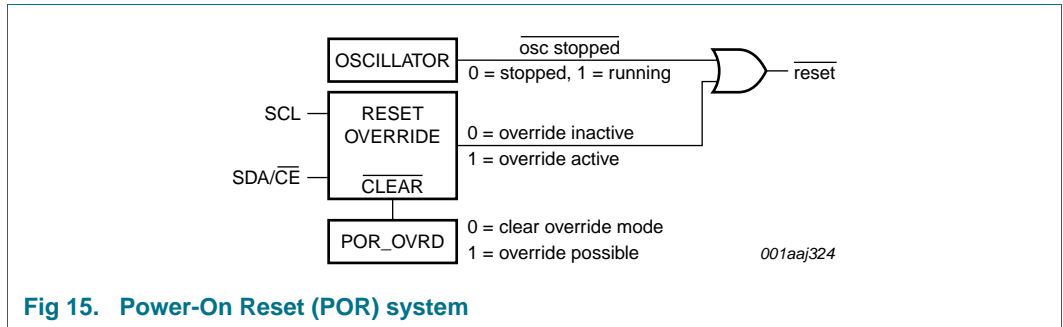


Fig 15. Power-On Reset (POR) system

The setting of the PORO mode requires that POR_OVRD in register Control_1 is set logic 1 and that the signals at the interface pins SDA/CE and SCL are toggled as illustrated in Figure 16. All timings shown are required minimum.

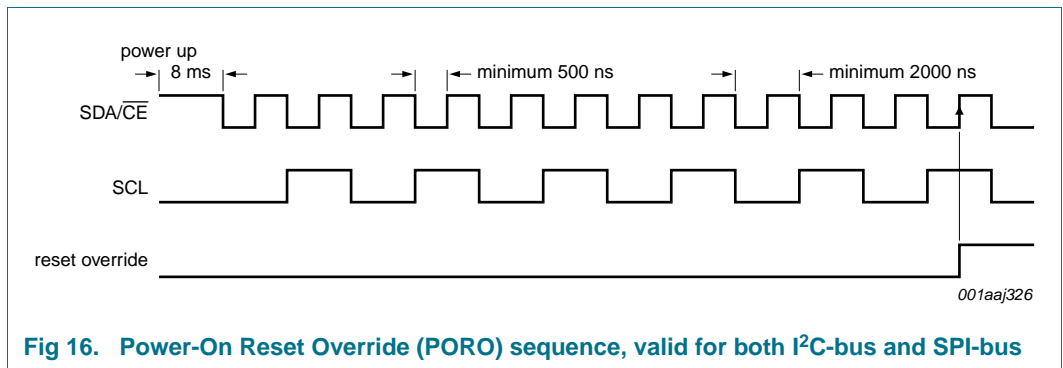


Fig 16. Power-On Reset Override (PORO) sequence, valid for both I²C-bus and SPI-bus

Once the override mode is entered, the device is immediately released from the reset state and the set-up operation can commence.

The PORO mode is cleared by writing logic 0 to POR_OVRD. POR_OVRD must be logic 1 before a re-entry into the override mode is possible. Setting POR_OVRD logic 0 during normal operation has no effect except to prevent accidental entry into the PORO mode.

8.9 Time and date function

Most of these registers are coded in the Binary Coded Decimal (BCD) format.

8.9.1 Register Seconds

Table 20. Seconds - seconds and clock integrity register (address 03h) bit description

| Bit | Symbol | Value | Place value | Description |
|--------|---------|------------------|-------------|---|
| 7 | OSF | 0 | - | clock integrity is guaranteed |
| | | 1 ^[1] | - | clock integrity is not guaranteed: oscillator has stopped and chip reset has occurred since flag was last cleared |
| 6 to 4 | SECONDS | 0 to 5 | ten's place | actual seconds coded in BCD format |
| 3 to 0 | | 0 to 9 | unit place | |

[1] Start-up value.

Table 21. Seconds coded in BCD format

| Seconds value in decimal | Upper-digit (ten's place) | | | Digit (unit place) | | | |
|--------------------------|---------------------------|-------|-------|--------------------|-------|-------|-------|
| | Bit 6 | Bit 5 | Bit 4 | Bit 3 | Bit 2 | Bit 1 | Bit 0 |
| 00 | 0 | 0 | 0 | 0 | 0 | 0 | 0 |
| 01 | 0 | 0 | 0 | 0 | 0 | 0 | 1 |
| 02 | 0 | 0 | 0 | 0 | 0 | 1 | 0 |
| : | : | : | : | : | : | : | : |
| 09 | 0 | 0 | 0 | 1 | 0 | 0 | 1 |
| 10 | 0 | 0 | 1 | 0 | 0 | 0 | 0 |
| : | : | : | : | : | : | : | : |
| 58 | 1 | 0 | 1 | 1 | 0 | 0 | 0 |
| 59 | 1 | 0 | 1 | 1 | 0 | 0 | 1 |

8.9.2 Register Minutes

Table 22. Minutes - minutes register (address 04h) bit description

| Bit | Symbol | Value | Place value | Description |
|--------|---------|--------|-------------|------------------------------------|
| 7 | - | - | - | unused |
| 6 to 4 | MINUTES | 0 to 5 | ten's place | actual minutes coded in BCD format |
| 3 to 0 | | 0 to 9 | unit place | |

8.9.3 Register Hours

Table 23. Hours - hours register (address 05h) bit description

| Bit | Symbol | Value | Place value | Description |
|-----------------------------------|--------|--------|-------------|---|
| 7 to 6 | - | - | - | unused |
| 12 hour mode^[1] | | | | |
| 5 | AMPM | 0 | - | indicates AM |
| | | 1 | - | indicates PM |
| 4 | HOURS | 0 to 1 | ten's place | actual hours coded in BCD format when in 12 hour mode |
| 3 to 0 | | 0 to 9 | unit place | |
| 24 hour mode^[1] | | | | |
| 5 to 4 | HOURS | 0 to 2 | ten's place | actual hours coded in BCD format when in 24 hour mode |
| 3 to 0 | | 0 to 9 | unit place | |

[1] Hour mode is set by the bit 12_24 in register Control_1.

8.9.4 Register Days

Table 24. Days - days register (address 06h) bit description

| Bit | Symbol | Value | Place value | Description |
|--------|---------------------|--------|-------------|--------------------------------|
| 7 to 6 | - | - | - | unused |
| 5 to 4 | DAYS ^[1] | 0 to 3 | ten's place | actual day coded in BCD format |
| 3 to 0 | | 0 to 9 | unit place | |

[1] If the year counter contains a value which is exactly divisible by 4, including the year 00, the RTC compensates for leap years by adding a 29th day to February.

8.9.5 Register Weekdays

Table 25. Weekdays - weekdays register (address 07h) bit description

| Bit | Symbol | Value | Description |
|--------|----------|--------|--|
| 7 to 3 | - | - | unused |
| 2 to 0 | WEEKDAYS | 0 to 6 | actual weekday value, see Table 26 |

Although the association of the weekdays counter to the actual weekday is arbitrary, the PCF2127AT will assume that Sunday is 000 and Monday is 001 for the purposes of determining the increment for calendar weeks.

Table 26. Weekday assignments

| Day ^[1] | Bit | | |
|--------------------|-----|---|---|
| | 2 | 1 | 0 |
| Sunday | 0 | 0 | 0 |
| Monday | 0 | 0 | 1 |
| Tuesday | 0 | 1 | 0 |
| Wednesday | 0 | 1 | 1 |
| Thursday | 1 | 0 | 0 |
| Friday | 1 | 0 | 1 |
| Saturday | 1 | 1 | 0 |

[1] Definition may be reassigned by the user.

8.9.6 Register Months

Table 27. Months - months register (address 08h) bit description

| Bit | Symbol | Value | Place value | Description |
|--------|--------|--------|-------------|--|
| 7 to 5 | - | - | - | unused |
| 4 | MONTHS | 0 to 1 | ten's place | actual month coded in BCD format, see Table 28 |
| 3 to 0 | | 0 to 9 | unit place | |

Table 28. Month assignments in BCD format

| Month | Upper-digit (ten's place) | Digit (unit place) | | | |
|-----------|------------------------------|--------------------|-------|-------|-------|
| | Bit 4 | Bit 3 | Bit 2 | Bit 1 | Bit 0 |
| January | 0 | 0 | 0 | 0 | 1 |
| February | 0 | 0 | 0 | 1 | 0 |
| March | 0 | 0 | 0 | 1 | 1 |
| April | 0 | 0 | 1 | 0 | 0 |
| May | 0 | 0 | 1 | 0 | 1 |
| June | 0 | 0 | 1 | 1 | 0 |
| July | 0 | 0 | 1 | 1 | 1 |
| August | 0 | 1 | 0 | 0 | 0 |
| September | 0 | 1 | 0 | 0 | 1 |
| October | 1 | 0 | 0 | 0 | 0 |
| November | 1 | 0 | 0 | 0 | 1 |
| December | 1 | 0 | 0 | 1 | 0 |

8.9.7 Register Years

Table 29. Years - years register (address 09h) bit description

| Bit | Symbol | Value | Place value | Description |
|--------|--------|--------|-------------|---------------------------------|
| 7 to 4 | YEARS | 0 to 9 | ten's place | actual year coded in BCD format |
| 3 to 0 | | 0 to 9 | unit place | |

8.9.8 Setting and reading the time

[Figure 17](#) shows the data flow and data dependencies starting from the 1 Hz clock tick.

During read/write operations, the time counting circuits (memory locations 03h through 09h) are blocked.

This prevents

- Faulty reading of the clock and calendar during a carry condition
- Incrementing the time registers during the read cycle

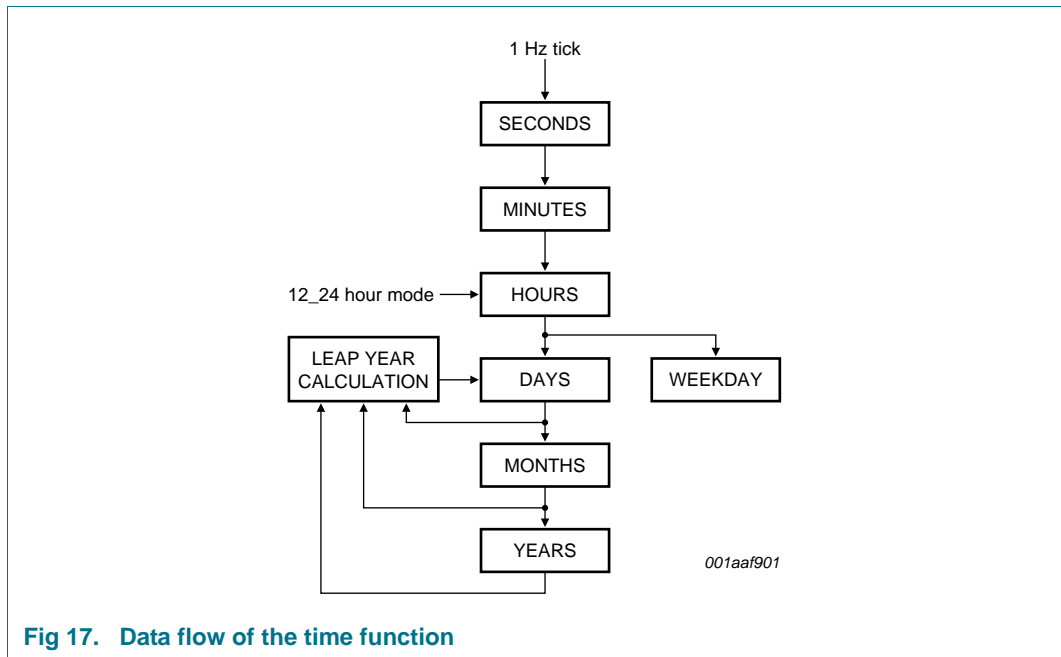


Fig 17. Data flow of the time function

After this read/write access is completed, the time circuit is released again. Any pending request to increment the time counters that occurred during the read/write access is serviced. A maximum of 1 request can be stored; therefore, all accesses must be completed within 1 second (see Figure 18).

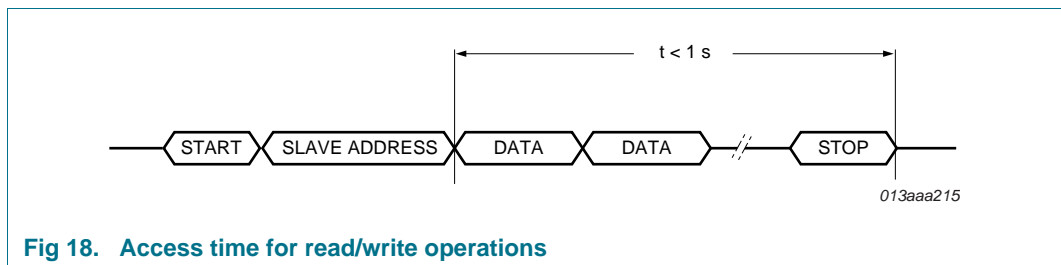


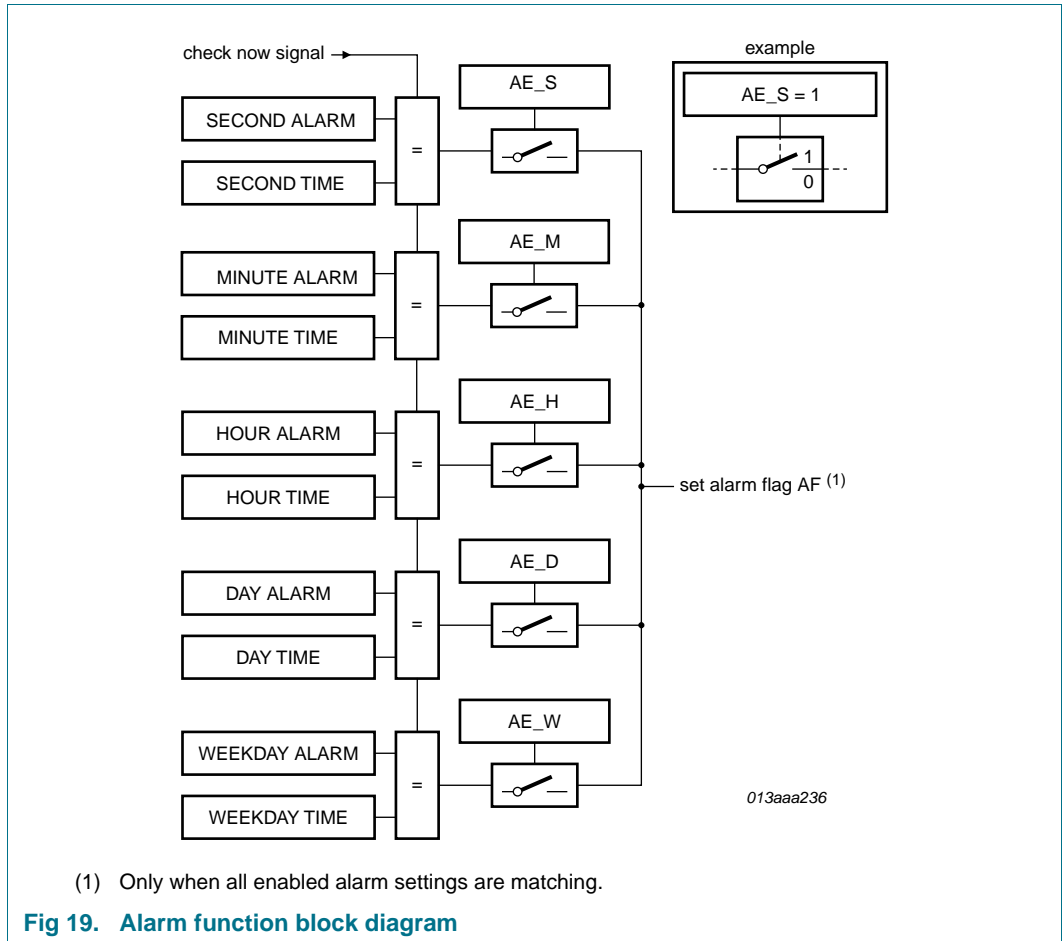
Fig 18. Access time for read/write operations

As a consequence of this method, it is very important to make a read or write access in one go, that is, setting or reading seconds through to years should be made in one single access. Failing to comply with this method could result in the time becoming corrupted.

As an example, if the time (seconds through to hours) is set in one access and then in a second access the date is set, it is possible that the time may increment between the two accesses. A similar problem exists when reading. A roll-over may occur between reads thus giving the minutes from one moment and the hours from the next. Therefore it is advised to read all time and date registers in one access.

8.10 Alarm function

When one or more of the alarm bit fields are loaded with a valid second, minute, hour, day, or weekday and its corresponding alarm enable bit (AE_x) is logic 0, then that information is compared with the actual second, minute, hour, day, and weekday (see Figure 19).



The generation of interrupts from the alarm function is described in Section 8.13.5.

8.10.1 Register Second_alarm

Table 30. Second_alarm - second alarm register (address 0Ah) bit description

| Bit | Symbol | Value | Place value | Description |
|--------|--------------|------------------|-------------|--|
| 7 | AE_S | 0 | - | second alarm is enabled |
| | | 1 ^[1] | - | second alarm is disabled |
| 6 to 4 | SECOND_ALARM | 0 to 5 | ten's place | second alarm information coded in BCD format |
| 3 to 0 | | 0 to 9 | unit place | |

[1] Default value.

8.10.2 Register Minute_alarm

Table 31. Minute_alarm - minute alarm register (address 0Bh) bit description

| Bit | Symbol | Value | Place value | Description |
|--------|--------------|------------------|-------------|--|
| 7 | AE_M | 0 | - | minute alarm is enabled |
| | | 1 ^[1] | - | minute alarm is disabled |
| 6 to 4 | MINUTE_ALARM | 0 to 5 | ten's place | minute alarm information coded in BCD format |
| 3 to 0 | | 0 to 9 | unit place | |

[1] Default value.

8.10.3 Register Hour_alarm

Table 32. Hour_alarm - hour alarm register (address 0Ch) bit description

| Bit | Symbol | Value | Place value | Description |
|-----------------------------------|------------|------------------|-------------|---|
| 7 | AE_H | 0 | - | hour alarm is enabled |
| | | 1 ^[1] | - | hour alarm is disabled |
| 6 | - | - | - | unused |
| 12 hour mode^[2] | | | | |
| 5 | AMPM | 0 | - | indicates AM |
| | | 1 | - | indicates PM |
| 4 | HOUR_ALARM | 0 to 1 | ten's place | hour alarm information coded in BCD format when in 12 hour mode |
| 3 to 0 | | 0 to 9 | unit place | |
| 24 hour mode^[2] | | | | |
| 5 to 4 | HOUR_ALARM | 0 to 2 | ten's place | hour alarm information coded in BCD format when in 24 hour mode |
| 3 to 0 | | 0 to 9 | unit place | |

[1] Default value.

[2] Hour mode is set by the bit 12_24 in register Control_1.

8.10.4 Register Day_alarm

Table 33. Day_alarm - day alarm register (address 0Dh) bit description

| Bit | Symbol | Value | Place value | Description |
|--------|-----------|------------------|-------------|---|
| 7 | AE_D | 0 | - | day alarm is enabled |
| | | 1 ^[1] | - | day alarm is disabled |
| 6 | - | - | - | unused |
| 5 to 4 | DAY_ALARM | 0 to 3 | ten's place | day alarm information coded in BCD format |
| 3 to 0 | | 0 to 9 | unit place | |

[1] Default value.

8.10.5 Register Weekday_alarm

Table 34. Weekday_alarm - weekday alarm register (address 0Eh) bit description

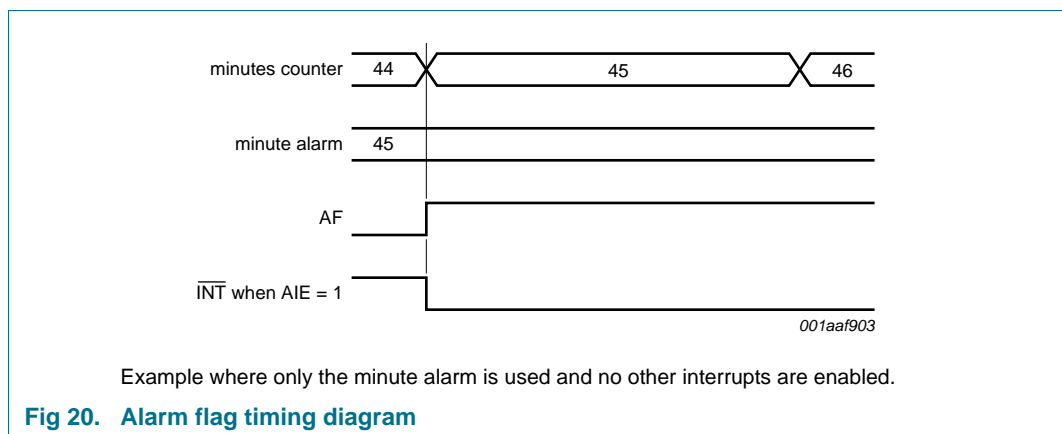
| Bit | Symbol | Value | Description |
|--------|---------------|------------------|---------------------------|
| 7 | AE_W | 0 | weekday alarm is enabled |
| | | 1 ^[1] | weekday alarm is disabled |
| 6 to 3 | - | - | unused |
| 2 to 0 | WEEKDAY_ALARM | 0 to 6 | weekday alarm information |

[1] Default value.

8.10.6 Alarm flag

When all enabled comparisons first match, the alarm flag AF (register Control_2) is set. AF will remain set until cleared by command. Once AF has been cleared, it will only be set again when the time increments to match the alarm condition once more. For clearing the flags, see [Section 8.11.6](#)

Alarm registers which have their alarm enable bit AE_x at logic 1 are ignored.



8.11 Timer functions

The PCF2127AT has two different timer functions, a watchdog timer and a countdown timer. The timers can be selected by using the control bits WD_CD[1:0] in the register Watchdg_tim_ctl.

- The watchdog timer has four selectable source clocks. It can, for example, be used to detect a microcontroller with interrupt and reset capability which is out of control (see [Section 8.11.3](#))
- The countdown timer has four selectable source clocks allowing for countdown periods from less than 1 ms to more than 4 hours (see [Section 8.11.4](#))

To control the timer functions and timer output, the registers Control_2, Watchdg_tim_ctl, and Watchdg_tim_val are used.

8.11.1 Register Watchdg_tim_ctl

Table 35. Watchdg_tim_ctl - watchdog timer control register (address 10h) bit description

| Bit | Symbol | Value | Description |
|--------|------------|-------------------|---|
| 7 to 6 | WD_CD[1:0] | 00 ^[1] | watchdog timer disabled; countdown timer disabled |
| | | 01 | watchdog timer disabled; countdown timer enabled if CDTIE is set logic 1, the interrupt pin $\overline{\text{INT}}$ is activated when the countdown timed out |
| | | 10 | watchdog timer enabled; the interrupt pin $\overline{\text{INT}}$ is activated when timed out; countdown timer not available |
| | | 11 | watchdog timer enabled; the reset pin $\overline{\text{RST}}$ is activated when timed out; countdown timer not available |
| 5 | TI_TP | 0 ^[1] | the interrupt pin $\overline{\text{INT}}$ is configured to generate a permanent active signal when MSF and/or CDTF is set |
| | | 1 | the interrupt pin $\overline{\text{INT}}$ is configured to generate a pulsed signal when MSF flag and/or CDTF flag is set (see Figure 25) |
| 4 to 2 | - | - | unused |
| 1 to 0 | TF[1:0] | - | timer source clock for watchdog and countdown timer |
| | | 00 | 4.096 kHz |
| | | 01 | 64 Hz |
| | | 10 | 1 Hz |
| | | 11 ^[1] | $\frac{1}{60}$ Hz |

[1] Default value.

8.11.2 Register Watchdg_tim_val

Table 36. Watchdg_tim_val - watchdog timer value register (address 11h) bit description

| Bit | Symbol | Value | Description |
|--------|-----------------------|----------|---|
| 7 to 0 | WATCHDGD_TIM_VAL[7:0] | 00 to FF | timer period in seconds: $CountdownPeriod = \frac{n}{SourceClockFrequency}$ where n is the timer value |

Table 37. Programmable watchdog or countdown timer

| TF[1:0] | Timer source clock frequency | Units | Minimum timer period (n = 1) | Units | Maximum timer period (n = 255) | Units |
|---------|------------------------------|-------|------------------------------|-------|--------------------------------|-------|
| 00 | 4.096 | kHz | 244 | µs | 62.256 | ms |
| 01 | 64 | Hz | 15.625 | ms | 3.984 | s |
| 10 | 1 | Hz | 1 | s | 255 | s |
| 11 | 1/60 | Hz | 60 | s | 15300 | s |

8.11.3 Watchdog timer function

The watchdog timer function is enabled or disabled by the WD_CD[1:0] bits of the register Watchdg_tim_ctl (see [Table 35](#)).

The two bits TF[1:0] in register Watchdg_tim_ctl determine one of the four source clock frequencies for the watchdog timer: 4.096 kHz, 64 Hz, 1 Hz, or 1/60 Hz (see [Table 37](#)).

When the watchdog timer function is enabled, the 8-bit timer in register Watchdg_tim_val determines the watchdog timer period (see [Table 36](#)).

The watchdog timer counts down from the software programmed 8-bit binary value n in register Watchdg_tim_val. When the counter reaches 1, the watchdog timer flag WDTF (register Control_2) is set logic 1.

If WDTF is logic 1 and:

- if WD_CD[1:0] = 10 an interrupt will be generated
- if WD_CD[1:0] = 11 a reset will be generated

The counter does not automatically reload.

When WD_CD[1:0] = 10 or WD_CD[1:0] = 11 and the microcontroller unit (MCU) loads a watchdog timer value n:

- the flag WDTF is reset
- \overline{INT} or \overline{RST} is cleared
- the watchdog timer starts again

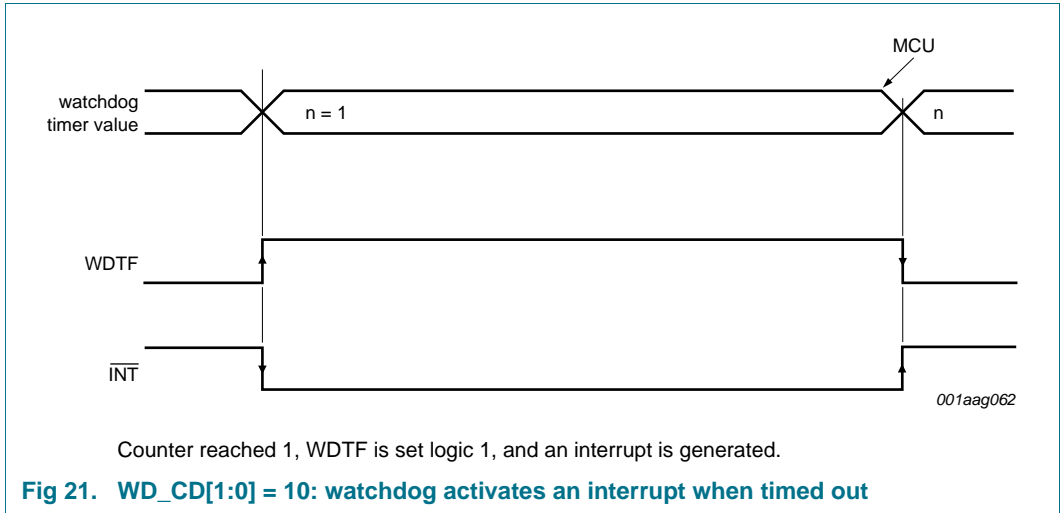
Loading the counter with 0 will:

- reset the flag WDTF
- clear \overline{INT} or \overline{RST}
- stop the watchdog timer

Remark: WDTF is read only and cannot be cleared by command. WDTF can be cleared by:

- loading a value in register Watchdg_tim_val
- reading of the register Control_2

Writing a logic 0 or logic 1 to WDTF has no effect.



- When the watchdog timer counter reaches 1, the watchdog timer flag WDTF is set logic 1
- When a minute or second interrupt occurs, the minute/second flag MSF is set logic 1 (see [Section 8.13.1](#))

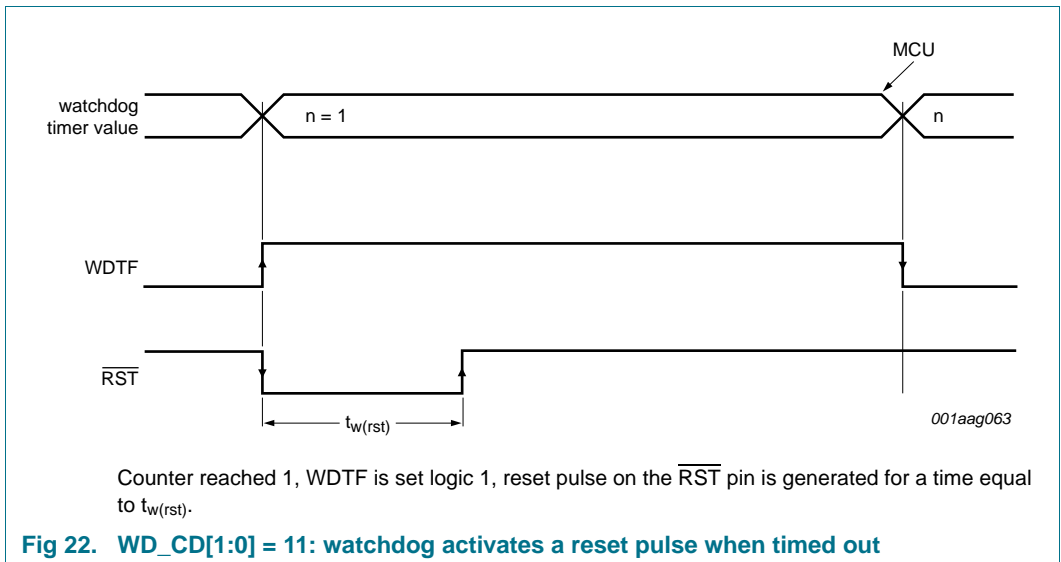


Table 38. Specification of $t_{w(rst)}$

| WD_CD[1:0] | TF[1:0] | $t_{w(rst)}$ |
|------------|---------|--------------|
| 11 | 00 | 244 μ s |
| | 01 | 15.625 ms |
| | 10 | 15.625 ms |
| | 11 | 15.625 ms |

8.11.4 Countdown timer function

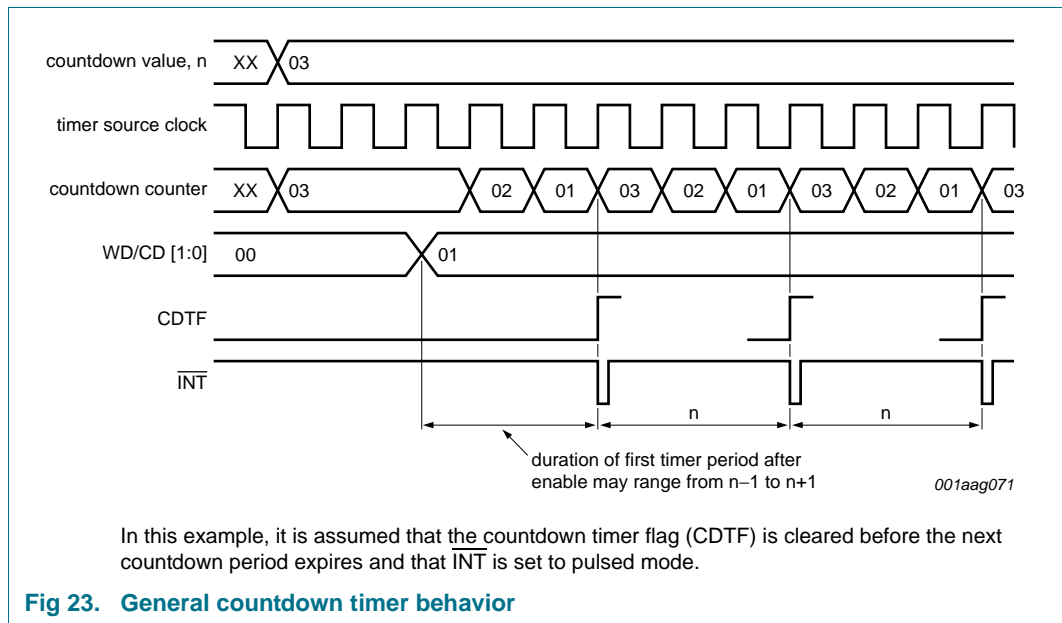
The countdown timer function is controlled by the WD_CD[1:0] bits in register Watchdog_tim_ctl (see [Table 35](#)).

The timer counts down from the software programmed 8 bit binary value n in register Watchdog_tim_val. When the counter reaches 1

- the countdown timer flag CDTF is set
- the counter automatically reloads
- and the next time period starts

Loading the counter with 0 effectively stops the timer.

Reading the timer returns the actual value of the countdown counter.



If a new value of n is written before the end of the actual timer period, this value takes immediate effect. It is not recommended to change n without first disabling the counter by setting WD_CD[1:0] = 00. The update of n is asynchronous to the timer clock. Therefore changing it on the fly could result in a corrupted value loaded into the countdown counter. This can result in an undetermined countdown period for the first period. The countdown value n will, however, be correctly stored and correctly loaded on subsequent timer periods.

If this mode is enabled and the countdown timer flag CDTF is set, an interrupt signal on INT will be generated. See [Section 8.13.2](#) for details on how the interrupt can be controlled.

When starting the countdown timer for the first time, only the first period will not have a fixed duration. The amount of inaccuracy for the first timer period will depend on the chosen source clock, see [Table 39](#).

Table 39. First period delay for timer counter

| Timer source clock | Minimum timer period | Maximum timer period |
|--------------------|----------------------|----------------------|
| 4.096 kHz | n | n + 1 |
| 64 Hz | n | n + 1 |
| 1 Hz | (n - 1) + 1/64 Hz | n + 1/64 Hz |
| 1/60 Hz | (n - 1) + 1/64 Hz | n + 1/64 Hz |

At the end of every countdown, the timer sets the countdown timer flag (CDTF). CDTF may only be cleared by command. The asserted CDTF can be used to generate an interrupt (INT). The interrupt may be generated as a pulsed signal every countdown period or as a permanently active signal which follows the condition of CDTF. TI_TP is used to control this mode selection. The interrupt output may be disabled with the CDTIE bit, see [Table 7](#).

When reading the timer, the actual countdown value is returned and **not** the initial value n. Since it is not possible to freeze the countdown timer counter during read back, it is recommended to read the register twice and check for consistent results.

8.11.5 Pre-defined timers: second and minute interrupt

PCF2127AT has two pre-defined timers which are used to generate an interrupt either once per second or once per minute. The pulse generator for the minute or second interrupt operates from an internal 64 Hz clock. It is independent of the watchdog or countdown timers. Each of these timers can be enabled by the bits SI (second interrupt) and MI (minute interrupt) in register Control_1.

8.11.6 Clearing flags

The flags MSF, CDTF, AF and TSF_x can be cleared by command. To prevent one flag being overwritten while clearing another, a logic AND is performed during the write access. A flag is cleared by writing logic 0 while a flag is not cleared by writing logic 1. Writing logic 1 will result in the flag value remaining unchanged.

Four examples are given for clearing the flags. Clearing the flags is made by a write command:

- Bits labeled with - must be written with their previous values
- WDTF is read only and has to be written with logic 0

Repeatedly rewriting these bits has no influence on the functional behavior.

Table 40. Flag location in register Control_2

| Register | Bit | | | | | | | |
|-----------|-----|------|------|----|------|---|---|---|
| | 7 | 6 | 5 | 4 | 3 | 2 | 1 | 0 |
| Control_2 | MSF | WDTF | TSF2 | AF | CDTF | - | - | - |

Table 41. Example values in register Control_2

| Register | Bit | | | | | | | |
|-----------|-----|---|---|---|---|---|---|---|
| | 7 | 6 | 5 | 4 | 3 | 2 | 1 | 0 |
| Control_2 | 1 | 0 | 1 | 1 | 1 | 0 | 0 | 0 |

The following tables show what instruction must be sent to clear the appropriate flag.

Table 42. Example to clear only CDTF (bit 3)

| Register | Bit | | | | | | | |
|-----------|-----|---|---|---|---|------|------|------|
| | 7 | 6 | 5 | 4 | 3 | 2 | 1 | 0 |
| Control_2 | 1 | 0 | 1 | 1 | 0 | -[1] | -[1] | -[1] |

[1] The bits labeled as - have to be rewritten with the previous values.

Table 43. Example to clear only AF (bit 4)

| Register | Bit | | | | | | | |
|-----------|-----|---|---|---|---|------|------|------|
| | 7 | 6 | 5 | 4 | 3 | 2 | 1 | 0 |
| Control_2 | 1 | 0 | 1 | 0 | 1 | 0[1] | 0[1] | 0[1] |

[1] The bits labeled as - have to be rewritten with the previous values.

Table 44. Example to clear only MSF (bit 7)

| Register | Bit | | | | | | | |
|-----------|-----|---|---|---|---|------|------|------|
| | 7 | 6 | 5 | 4 | 3 | 2 | 1 | 0 |
| Control_2 | 0 | 0 | 1 | 1 | 1 | 0[1] | 0[1] | 0[1] |

[1] The bits labeled as - have to be rewritten with the previous values.

Table 45. Example to clear both CDTF and MSF

| Register | Bit | | | | | | | |
|-----------|-----|---|---|---|---|------|------|------|
| | 7 | 6 | 5 | 4 | 3 | 2 | 1 | 0 |
| Control_2 | 0 | 0 | 1 | 1 | 0 | 0[1] | 0[1] | 0[1] |

[1] The bits labeled as - have to be rewritten with the previous values.

8.12 Timestamp function

The PCF2127AT has an active LOW timestamp input pin \overline{TS} , internally pulled with an on-chip pull-up resistor to the internal power supply of the device. It also has a timestamp detection circuit which can detect two different events:

1. Input on pin \overline{TS} is driven to an intermediate level between power supply and ground.
2. Input on pin \overline{TS} is driven to ground.

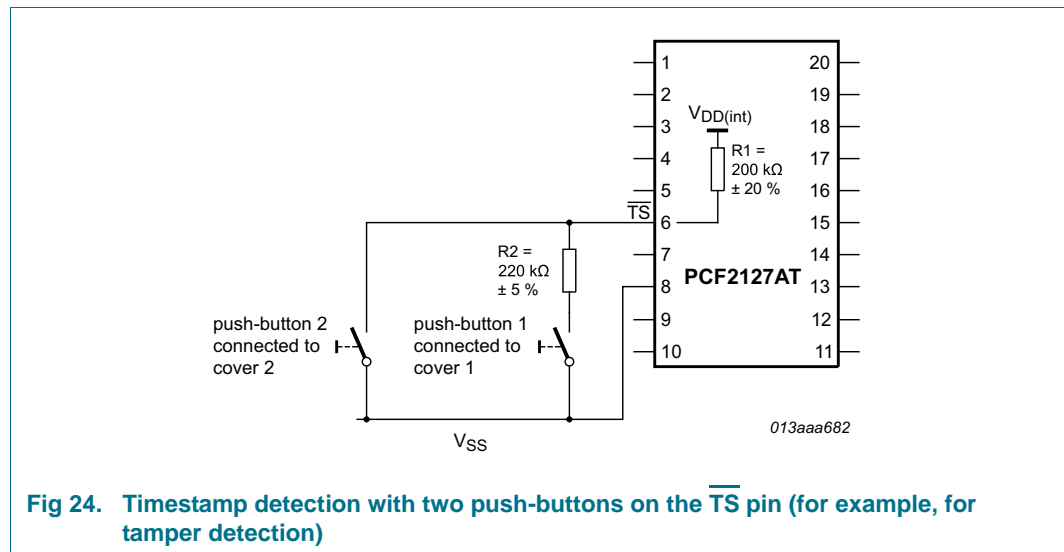


Fig 24. Timestamp detection with two push-buttons on the \overline{TS} pin (for example, for tamper detection)

The timestamp function is enabled by default after power-on and it can be switched off by setting the control bit TSOFF (register Timestp_ctl).

A most common application of the timestamp function is described in [Ref. 3 “AN10857”](#).

See [Section 8.13.6](#) for a description of interrupt generation from the timestamp function.

8.12.1 Timestamp flag

1. When the \overline{TS} input pin is driven to an intermediate level between the power supply and ground, then the following sequence occurs:
 - a. The actual date and time are stored in the timestamp registers.
 - b. The timestamp flag TSF1 (register Control_1) is set.
 - c. If the TSIE bit (register Control_2) is active, an interrupt on the \overline{INT} pin is generated.

The TSF1 flag can be cleared by command. Clearing the flag will clear the interrupt. Once TSF1 is cleared, it will only be set again when a new negative edge on pin \overline{TS} is detected.

2. When the \overline{TS} input pin is driven to ground, the following sequence occurs:
 - a. The actual date and time are stored in the timestamp registers.
 - b. In addition to the TSF1 flag, the TSF2 flag (register Control_2) is set.
 - c. If the TSIE bit is active, an interrupt on the \overline{INT} pin is generated.

The TSF1 and TSF2 flags can be cleared by command; clearing both flags will clear the interrupt. Once TSF2 is cleared, it will only be set again when \overline{TS} pin is driven to ground once again.

8.12.2 Timestamp mode

The timestamp function has two different modes selected by the control bit TSM (timestamp mode) in register `Timestamp_ctl`:

- If TSM is logic 0 (default): in subsequent trigger events without clearing the timestamp flags, the last timestamp event is stored
- If TSM is logic 1: in subsequent trigger events without clearing the timestamp flags, the first timestamp event is stored

The timestamp function also depends on the control bit BTSE in register `Control_3`, see [Section 8.12.4](#).

8.12.3 Timestamp registers

8.12.3.1 Register `Timestamp_ctl`

Table 46. `Timestamp_ctl` - timestamp control register (address 12h) bit description

| Bit | Symbol | Value | Description |
|--------|-----------------------|------------------|--|
| 7 | TSM | 0 ^[1] | in subsequent events without clearing the timestamp flags, the last event is stored |
| | | 1 | in subsequent events without clearing the timestamp flags, the first event is stored |
| 6 | TSOFF | 0 ^[1] | timestamp function active |
| | | 1 | timestamp function disabled |
| 5 | - | - | unused |
| 4 to 0 | 1_O_16_TIMESTAMP[4:0] | | $\frac{1}{16}$ second timestamp information coded in BCD format |

[1] Default value.

8.12.3.2 Register `Sec_timestamp`

Table 47. `Sec_timestamp` - second timestamp register (address 13h) bit description

| Bit | Symbol | Value | Place value | Description |
|--------|------------------|--------|-------------|--|
| 7 | - | - | - | unused |
| 6 to 4 | SECOND_TIMESTAMP | 0 to 5 | ten's place | second timestamp information coded in BCD format |
| 3 to 0 | | 0 to 9 | unit place | |

8.12.3.3 Register `Min_timestamp`

Table 48. `Min_timestamp` - minute timestamp register (address 14h) bit description

| Bit | Symbol | Value | Place value | Description |
|--------|------------------|--------|-------------|--|
| 7 | - | - | - | unused |
| 6 to 4 | MINUTE_TIMESTAMP | 0 to 5 | ten's place | minute timestamp information coded in BCD format |
| 3 to 0 | | 0 to 9 | unit place | |

8.12.3.4 Register Hour_timestp

Table 49. Hour_timestp - hour timestamp register (address 15h) bit description

| Bit | Symbol | Value | Place value | Description |
|-----------------------------------|--------------|--------|-------------|---|
| 7 to 6 | - | - | - | unused |
| 12 hour mode^[1] | | | | |
| 5 | AMPM | 0 | - | indicates AM |
| | | 1 | - | indicates PM |
| 4 | HOUR_TIMESTP | 0 to 1 | ten's place | hour timestamp information coded in BCD format when in 12 hour mode |
| 3 to 0 | | 0 to 9 | unit place | |
| 24 hour mode^[1] | | | | |
| 5 to 4 | HOUR_TIMESTP | 0 to 2 | ten's place | hour timestamp information coded in BCD format when in 24 hour mode |
| 3 to 0 | | 0 to 9 | unit place | |

[1] Hour mode is set by the bit 12_24 in register Control_1.

8.12.3.5 Register Day_timestp

Table 50. Day_timestp - day timestamp register (address 16h) bit description

| Bit | Symbol | Value | Place value | Description |
|--------|-------------|--------|-------------|---|
| 7 to 6 | - | - | - | unused |
| 5 to 4 | DAY_TIMESTP | 0 to 3 | ten's place | day timestamp information coded in BCD format |
| 3 to 0 | | 0 to 9 | unit place | |

8.12.3.6 Register Mon_timestp

Table 51. Mon_timestp - month timestamp register (address 17h) bit description

| Bit | Symbol | Value | Place value | Description |
|--------|---------------|--------|-------------|---|
| 7 to 5 | - | - | - | unused |
| 4 | MONTH_TIMESTP | 0 to 1 | ten's place | month timestamp information coded in BCD format |
| 3 to 0 | | 0 to 9 | unit place | |

8.12.3.7 Register Year_timestp

Table 52. Year_timestp - year timestamp register (address 18h) bit description

| Bit | Symbol | Value | Place value | Description |
|--------|--------------|--------|-------------|--|
| 7 to 4 | YEAR_TIMESTP | 0 to 9 | ten's place | year timestamp information coded in BCD format |
| 3 to 0 | | 0 to 9 | unit place | |

8.12.4 Dependency between Battery switch-over and timestamp

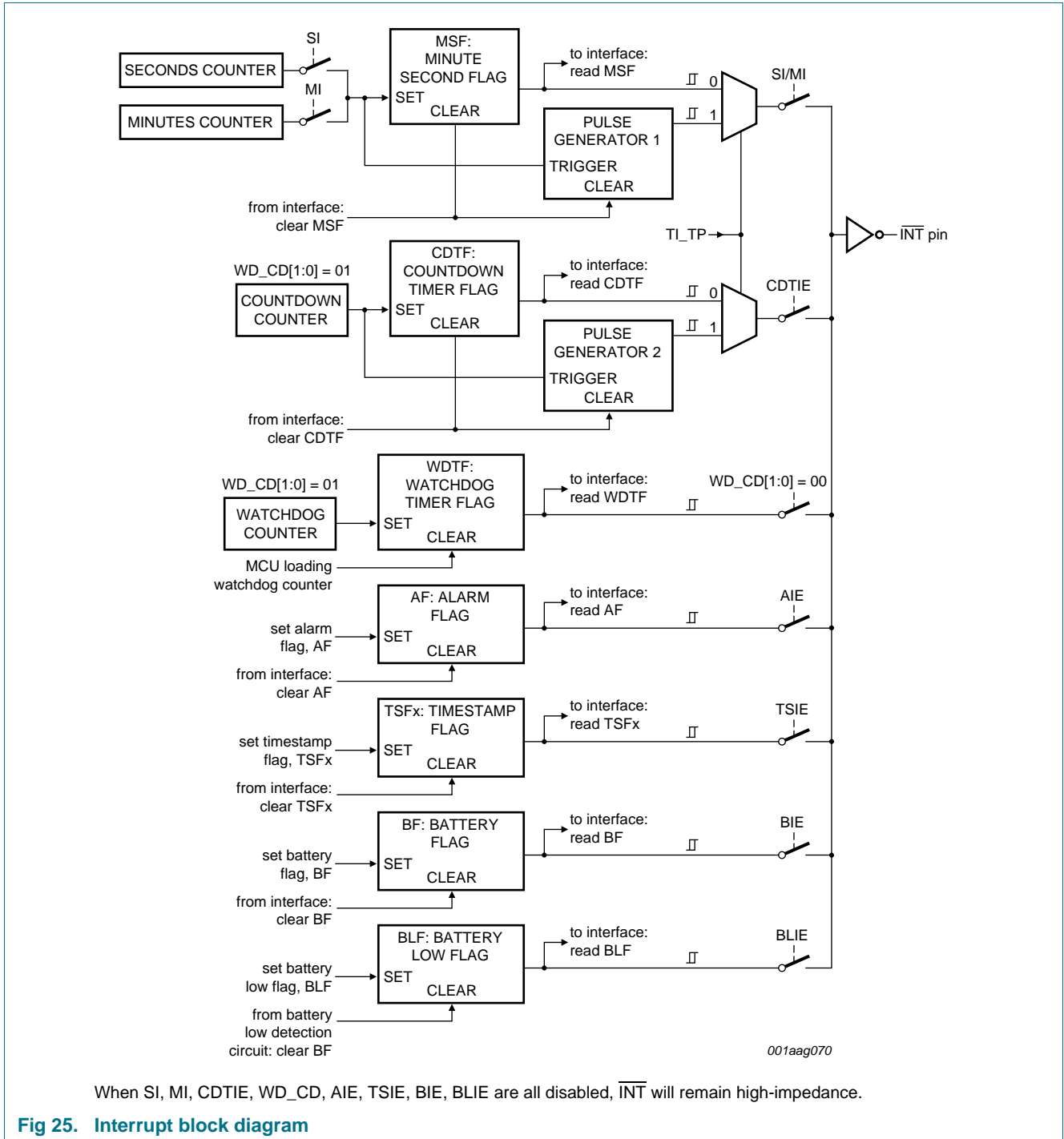
The timestamp function depends on the control bit BTSE in register Control_3:

Table 53. Battery switch-over and timestamp

| BTSE | BF | Description |
|------|----|--|
| 0 | - | [1] the battery switch-over does not affect the timestamp registers |
| 1 | | If a battery switch-over event occurs: |
| | 0 | [1] the timestamp registers store the time and date when the switch-over occurs; after this event occurred BF is set logic 1 |
| | 1 | the timestamp registers are not modified; in this condition subsequent battery switch-over events or falling edges on pin \overline{TS} are not registered |

[1] Default value.

8.13 Interrupt output, $\overline{\text{INT}}$



PCF2127AT has an interrupt output pin $\overline{\text{INT}}$ which is open-drain, active LOW. Interrupts may be sourced from different places:

- second or minute timer
- countdown timer

- watchdog timer
- alarm
- timestamp
- battery switch-over
- battery low detection

The control bit TI_TP (register Watchdg_tim_ctl) is used to configure whether the interrupts generated from the second/minute timer (flag MSF in register Control_2) and the countdown timer (flag CDTF in register Control_2) are pulsed signals or a permanently active signal. All the other interrupt sources generate a permanently active interrupt signal which follows the status of the corresponding flags. When the interrupt sources are all disabled, INT remains high-impedance.

- The flags MSF, CDTF, AF, TSFx, and BF can be cleared by command.
- The flag WDTF is read only. How it can be cleared is explained in [Section 8.11.6](#).
- The flag BLF is read only. It is cleared automatically from the battery low detection circuit when the battery is replaced.

8.13.1 Minute and second interrupts

Minute and second interrupts are generated by predefined timers. The timers can be enabled independently from one another by the bits MI and SI in register Control_1. However, a minute interrupt enabled on top of a second interrupt will not be distinguishable since it will occur at the same time.

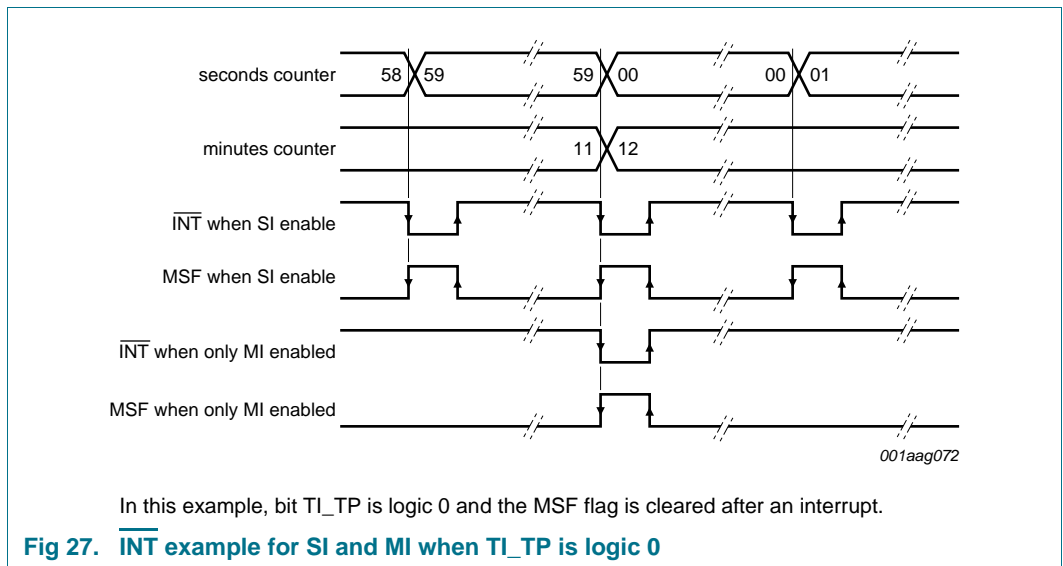
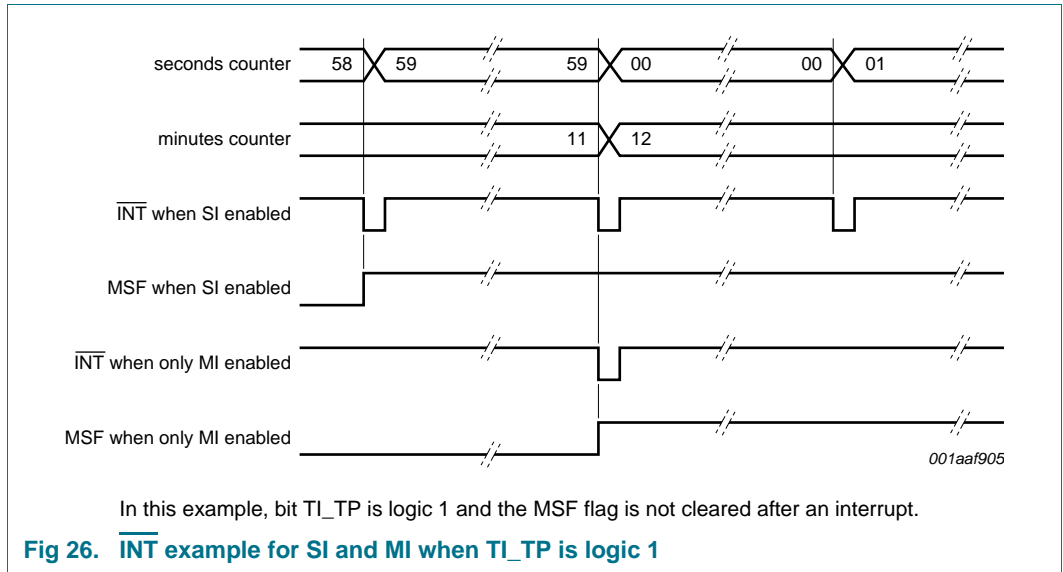
The minute/second flag MSF (register Control_2) is set logic 1 when either the seconds or the minutes counter increments according to the enabled interrupt (see [Table 54](#)). The MSF flag can be read and cleared by command.

Table 54. Effect of bits MI and SI on pin INT and bit MSF

| MI | SI | Result on INT | Result on MSF |
|----|----|------------------------------|--|
| 0 | 0 | no interrupt generated | MSF never set |
| 1 | 0 | an interrupt once per minute | MSF set when minutes counter increments |
| 0 | 1 | an interrupt once per second | MSF set when seconds counter increments |
| 1 | 1 | an interrupt once per second | MSF set when seconds counter increments |

When MSF is set logic 1:

- If TI_TP is logic 1, the interrupt is generated as a pulsed signal.
- If TI_TP is logic 0, the interrupt is permanently active signal that remains until MSF is cleared.



The pulse generator for the minute/second interrupt operates from an internal 64 Hz clock and generates a pulse of $\frac{1}{64}$ seconds in duration.

8.13.2 Countdown timer interrupts

The generation of interrupts from the countdown timer is controlled by the CDTIE bit (register Control_2).

The interrupt may be generated as a pulsed signal at every countdown period or as a permanently active signal which follows the status of the countdown timer flag CDTF. Bit TI_TP is used to control this bit.

8.13.3 $\overline{\text{INT}}$ pulse shortening

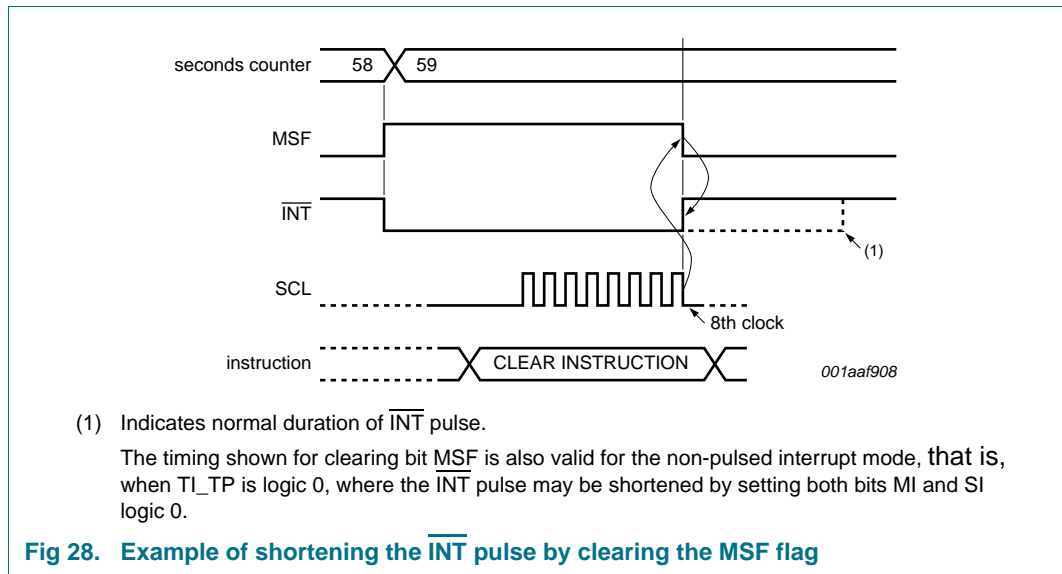
The pulse generator for the countdown timer interrupt also uses an internal clock, but this time it is dependent on the selected source clock for the countdown timer and on the countdown value n. As a consequence, the width of the interrupt pulse varies (see [Table 55](#)).

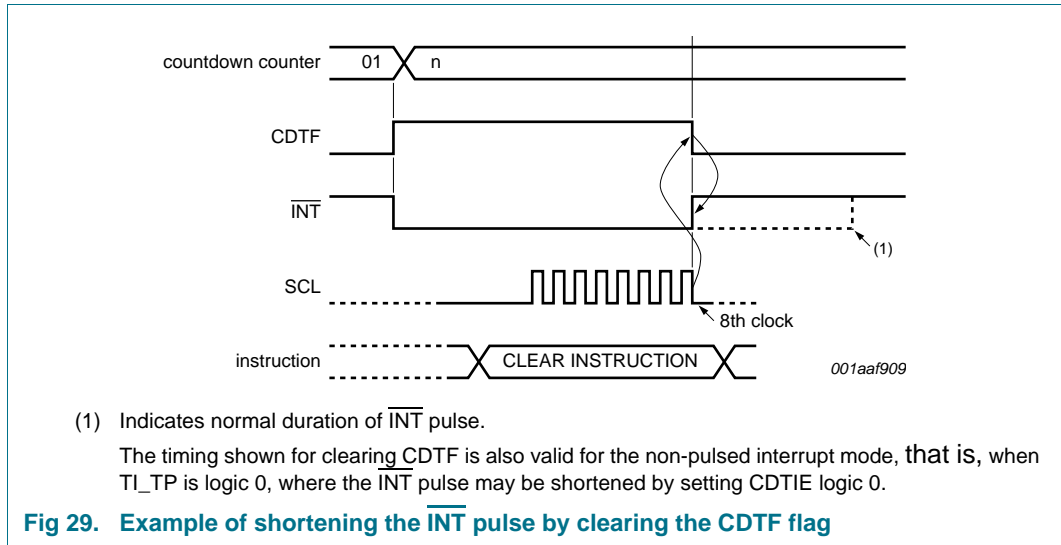
Table 55. $\overline{\text{INT}}$ operation (bit TI_TP = 1)

| Source clock (Hz) | $\overline{\text{INT}}$ period (s) | |
|-------------------|------------------------------------|------------------|
| | n = 1 [1] | n > 1 |
| 4096 | $\frac{1}{8192}$ | $\frac{1}{4096}$ |
| 64 | $\frac{1}{128}$ | $\frac{1}{64}$ |
| 1 | $\frac{1}{64}$ | $\frac{1}{64}$ |
| $\frac{1}{60}$ | $\frac{1}{64}$ | $\frac{1}{64}$ |

[1] n = loaded countdown value. Timer stopped when n = 0.

If the MSF or CDTF flag (register Control_2) is cleared before the end of the $\overline{\text{INT}}$ pulse, then the $\overline{\text{INT}}$ pulse is shortened. This allows the source of a system interrupt to be cleared immediately when it is serviced, that is, the system does not have to wait for the completion of the pulse before continuing, see [Figure 28](#) and [Figure 29](#). Instructions for clearing bit MSF and bit CDTF can be found in [Section 8.11.6](#).





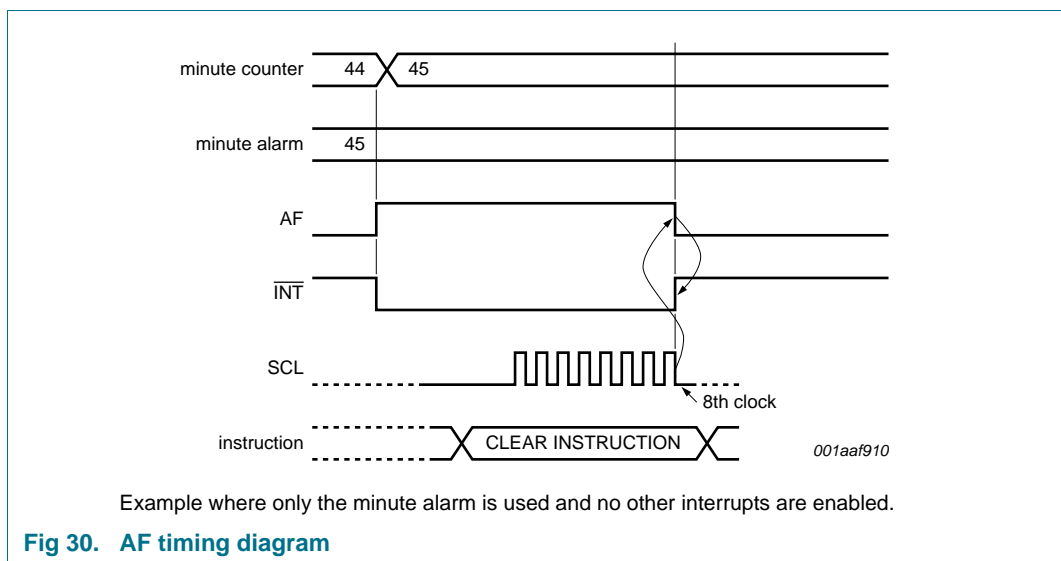
8.13.4 Watchdog timer interrupts

The generation of interrupts from the watchdog timer is controlled using the WD_CD[1:0] bits (register Watchdog_tim_ctl). The interrupt is generated as an active signal which follows the status of the watchdog timer flag WDTF (register Control_2). No pulse generation is possible for watchdog timer interrupts.

The interrupt is cleared when the flag WDTF is reset. WDTF is a read only bit and cannot be cleared by command. Instructions for clearing it can be found in [Section 8.11.6](#).

8.13.5 Alarm interrupts

Generation of interrupts from the alarm function is controlled by the bit AIE (register Control_2). If AIE is enabled, the $\overline{\text{INT}}$ pin will follow the status of bit AF (register Control_2). Clearing AF will immediately clear $\overline{\text{INT}}$. No pulse generation is possible for alarm interrupts.



8.13.6 Timestamp interrupts

Interrupt generation from the timestamp function is controlled using the TSIE bit (register Control_2). If TSIE is enabled, the $\overline{\text{INT}}$ pin follows the status of the flags TSFx. Clearing the flags TSFx immediately clears $\overline{\text{INT}}$. No pulse generation is possible for timestamp interrupts.

8.13.7 Battery switch-over interrupts

Generation of interrupts from the battery switch-over is controlled by the BIE bit (register Control_3). If BIE is enabled, the $\overline{\text{INT}}$ pin follows the status of bit BF in register Control_3 (see [Table 53](#)). Clearing BF immediately clears $\overline{\text{INT}}$. No pulse generation is possible for battery switch-over interrupts.

8.13.8 Battery low detection interrupts

Generation of interrupts from the battery low detection is controlled by the BLIE bit (register Control_3). If BLIE is enabled, the $\overline{\text{INT}}$ pin will follow the status of bit BLF (register Control_3). The interrupt is cleared when the battery is replaced (BLF is logic 0) or when bit BLIE is disabled (BLIE is logic 0). BLF is read only and therefore cannot be cleared by command.

8.14 External clock test mode

A test mode is available which allows on-board testing. In this mode, it is possible to set up test conditions and control the operation of the RTC.

The test mode is entered by setting bit EXT_TEST logic 1 (register Control_1). Then pin CLKOUT becomes an input. The test mode replaces the internal clock signal (64 Hz) with the signal applied to pin CLKOUT. Every 64 positive edges applied to pin CLKOUT generate an increment of one second.

The signal applied to pin CLKOUT should have a minimum pulse width of 300 ns and a maximum period of 1000 ns. The internal clock, now sourced from CLKOUT, is divided down by a 2^6 divider chain called prescaler (see [Table 56](#)). The prescaler can be set into a known state by using bit STOP. When bit STOP is logic 1, the prescaler is reset to 0. STOP must be cleared before the prescaler can operate again.

From a stop condition, the first 1 second increment will take place after 32 positive edges on pin CLKOUT. Thereafter, every 64 positive edges will cause a 1 second increment.

Remark: Entry into test mode is not synchronized to the internal 64 Hz clock. When entering the test mode, no assumption as to the state of the prescaler can be made.

Operating example:

1. Set EXT_TEST test mode (register Control_1, EXT_TEST is logic 1).
2. Set bit STOP (register Control_1, STOP is logic 1).
3. Set time registers to desired value.
4. Clear STOP (register Control_1, STOP is logic 0).
5. Apply 32 clock pulses to CLKOUT.
6. Read time registers to see the first change.
7. Apply 64 clock pulses to CLKOUT.
8. Read time registers to see the second change.

Repeat 7 and 8 for additional increments.

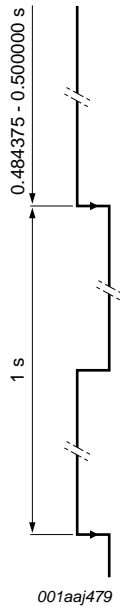
8.15 STOP bit function

The function of the STOP bit is to allow for accurate starting of the time circuits. STOP will cause the upper part of the prescaler (F₉ to F₁₄) to be held in reset and thus no 1 Hz ticks are generated. The time circuits can then be set and will not increment until the STOP bit is released. STOP will not affect the CLKOUT signal but the output of the prescaler in the range of 32 Hz to 1 Hz (see [Figure 31](#)).

The lower stages of the prescaler, F₀ to F₈, are not reset and because the I²C-bus and the SPI-bus are asynchronous to the crystal oscillator, the accuracy of restarting the time circuits is between 0 and one 64 Hz cycle (0.484375 s and 0.500000 s), see [Table 56](#) and [Figure 32](#).

Table 56. First increment of time circuits after stop release

| Bit STOP | Prescaler bits ^[1] F ₀ to F ₈ - F ₉ to F ₁₄ | 1 Hz tick | Time hh:mm:ss | Comment |
|--|---|-----------|------------------|---|
| Clock is running normally | | | | |
| 0 | 010000111-010100 | | 12:45:12 | prescaler counting normally |
| STOP bit is activated by user. F₀ to F₈ are not reset and values cannot be predicted externally | | | | |
| 1 | xxxxxxxx-000000 | | 12:45:12 | prescaler is reset; time circuits are frozen |
| New time is set by user | | | | |
| 1 | xxxxxxxx-000000 | | 08:00:00 | prescaler is reset; time circuits are frozen |
| STOP bit is released by user | | | | |
| 0 | xxxxxxxx-000000 | | 08:00:00 | prescaler is now running |
| 0 | xxxxxxxx-100000 | | 08:00:00 | |
| 0 | xxxxxxxx-100000 | | 08:00:00 | |
| 0 | xxxxxxxx-110000 | | 08:00:00 | |
| : | : | | : | |
| 0 | 11111111-111110 | | 08:00:00 | |
| 0 | 00000000-000001 | | 08:00:01 | 0 to 1 transition of F ₁₄ increments the time circuits |
| 0 | 10000000-000001 | | 08:00:01 | |
| : | : | | : | |
| 0 | 11111111-111111 | | 08:00:01 | |
| 0 | 00000000-000000 | | 08:00:01 | |
| 0 | 10000000-000000 | | 08:00:01 | |
| : | : | | : | |
| 0 | 11111111-111110 | | 08:00:01 | |
| 0 | 00000000-000001 | | 08:00:02 | 0 to 1 transition of F ₁₄ increments the time circuits |



[1] F₀ is clocked at 32.768 kHz.

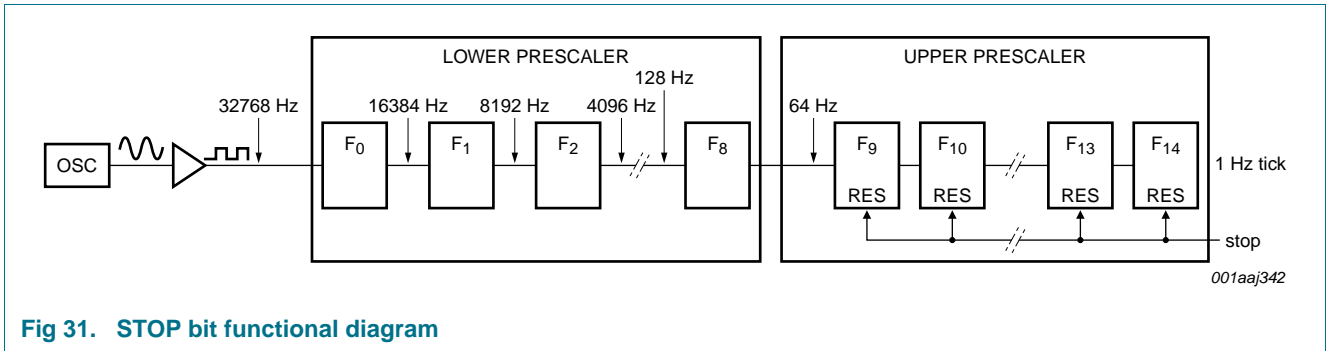


Fig 31. STOP bit functional diagram

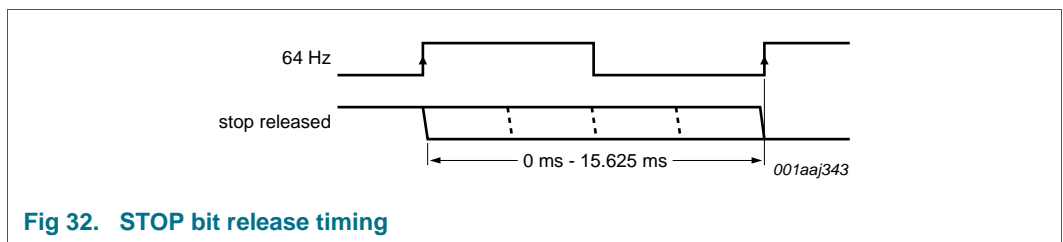


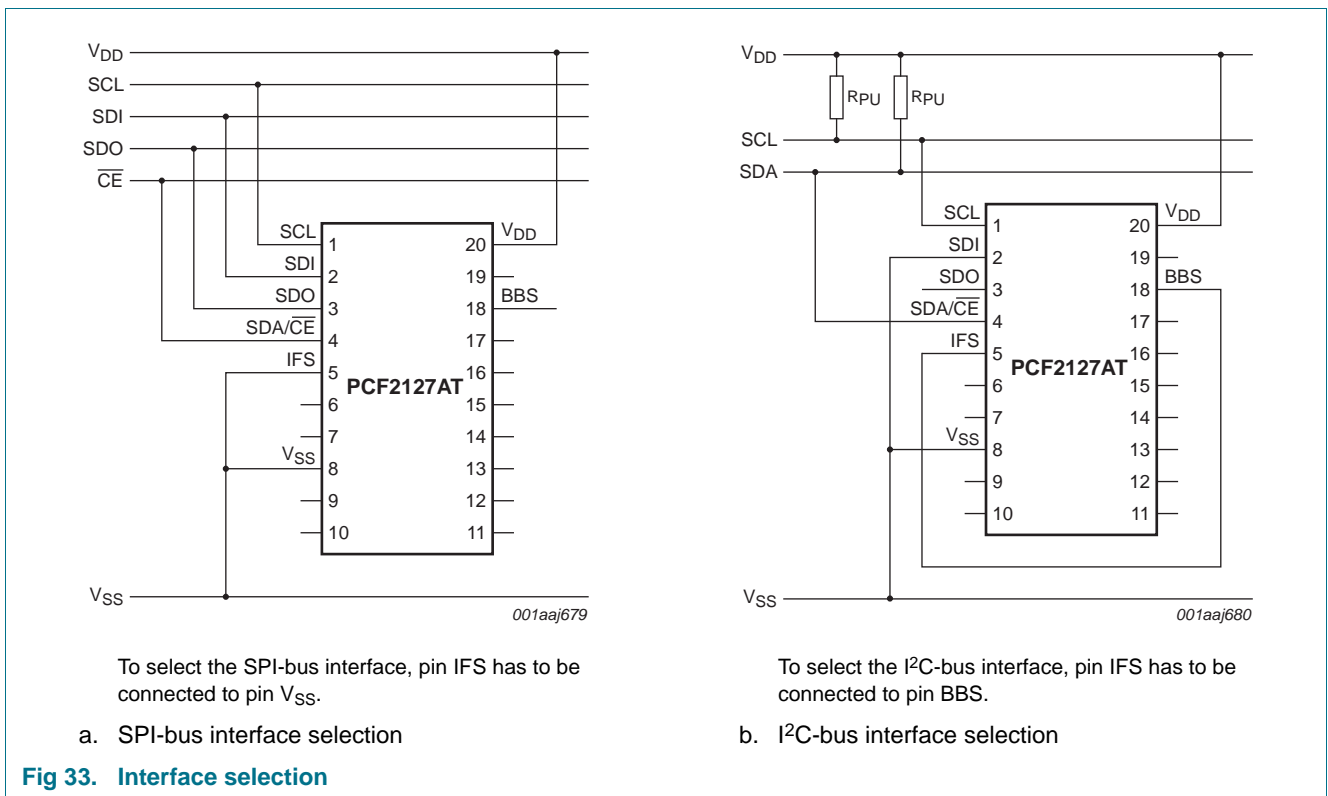
Fig 32. STOP bit release timing

9. Interfaces

The PCF2127AT has an I²C-bus or SPI-bus interface using the same pins. The selection is done by using the interface selection pin IFS (see [Table 57](#)).

Table 57. Interface selection input pin IFS

| Pin | Connection | Bus interface | Reference |
|-----|-----------------|----------------------|-----------------------------|
| IFS | V _{SS} | SPI-bus | Section 9.1 |
| | BBS | I ² C-bus | Section 9.2 |



9.1 SPI-bus interface

Data transfer to and from the device is made by a 3 line SPI-bus (see Table 58). The data lines for input and output are split. The data input and output line can be connected together to facilitate a bidirectional data bus (see Figure 34). The SPI-bus is initialized whenever the chip enable line pin SDA/CE is inactive.

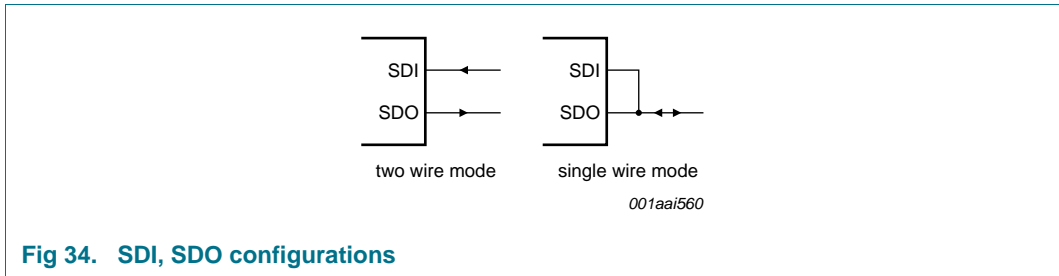


Fig 34. SDI, SDO configurations

Table 58. Serial interface

| Symbol | Function | Description |
|--------|-------------------------------|--|
| SDA/CE | chip enable input; active LOW | [1] when HIGH, the interface is reset; input may be higher than V _{DD} |
| SCL | serial clock input | when SDA/CE is HIGH, input may float; input may be higher than V _{DD} |
| SDI | serial data input | when SDA/CE is HIGH, input may float; input may be higher than V _{DD} ; input data is sampled on the rising edge of SCL |
| SDO | serial data output | push-pull output; drives from V _{SS} to V _{BBS} ; output data is changed on the falling edge of SCL |

[1] The chip enable must not be wired permanently LOW.

9.1.1 Data transmission

The chip enable signal is used to identify the transmitted data. Each data transfer is a whole byte, with the Most Significant Bit (MSB) sent first.

The transmission is controlled by the active LOW chip enable signal SDA/CE. The first byte transmitted is the command byte. Subsequent bytes will be either data to be written or data to be read (see Figure 35).

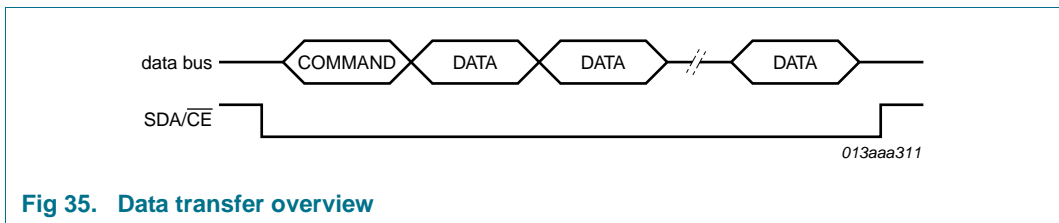
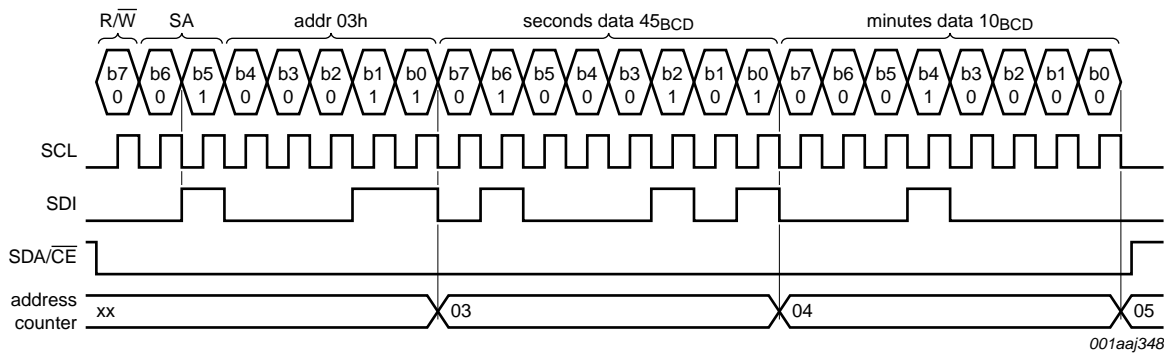


Fig 35. Data transfer overview

The command byte defines the address of the first register to be accessed and the read/write mode. The address counter will auto increment after every access and will reset to zero after the last valid register is accessed. The R/W bit defines if the following bytes will be read or write information.

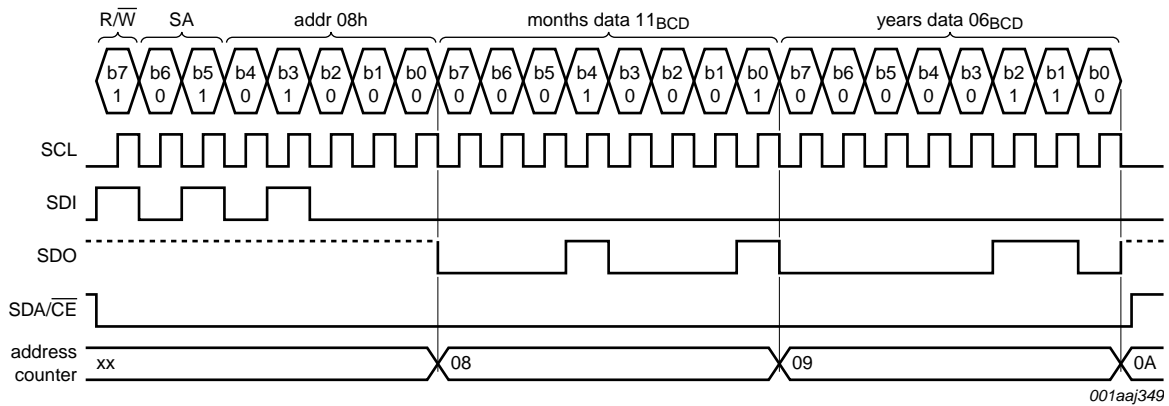
Table 59. Command byte definition

| Bit | Symbol | Value | Description |
|--------|--------|------------|--|
| 7 | R/W | | data read or write selection |
| | | 0 | write data |
| | | 1 | read data |
| 6 to 5 | SA | 01 | subaddress; other codes will cause the device to ignore data transfer |
| 4 to 0 | RA | 00h to 1Dh | register address |



In this example, the Seconds register is set to 45 seconds and the Minutes register to 10 minutes.

Fig 36. SPI-bus write example



In this example, the registers Months and Years are read. The pins SDI and SDO are not connected together. For this configuration, it is important that pin SDI is never left floating. It must always be driven either HIGH or LOW. If pin SDI is left open, high I_{DD} currents may result.

Fig 37. SPI-bus read example

9.2 I²C-bus interface

The I²C-bus is for bidirectional, two-line communication between different ICs or modules. The two lines are a Serial Data line (SDA) and a Serial Clock line (SCL). Both lines are connected to a positive supply by a pull-up resistor. Data transfer is initiated only when the bus is not busy.

9.2.1 Bit transfer

One data bit is transferred during each clock pulse. The data on the SDA line remains stable during the HIGH period of the clock pulse as changes in the data line at this time are interpreted as control signals (see [Figure 38](#)).

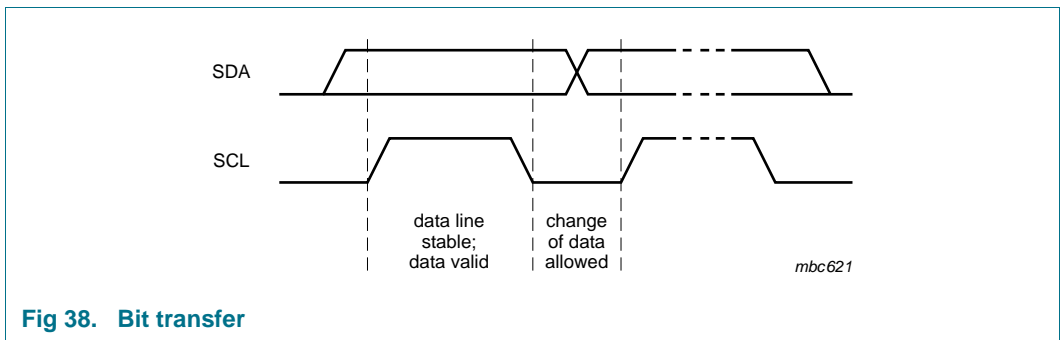


Fig 38. Bit transfer

9.2.2 START and STOP conditions

Both data and clock lines remain HIGH when the bus is not busy. A HIGH-to-LOW transition of the data line, while the clock is HIGH, is defined as the START condition S. A LOW-to-HIGH transition of the data line while the clock is HIGH is defined as the STOP condition P (see [Figure 39](#)).

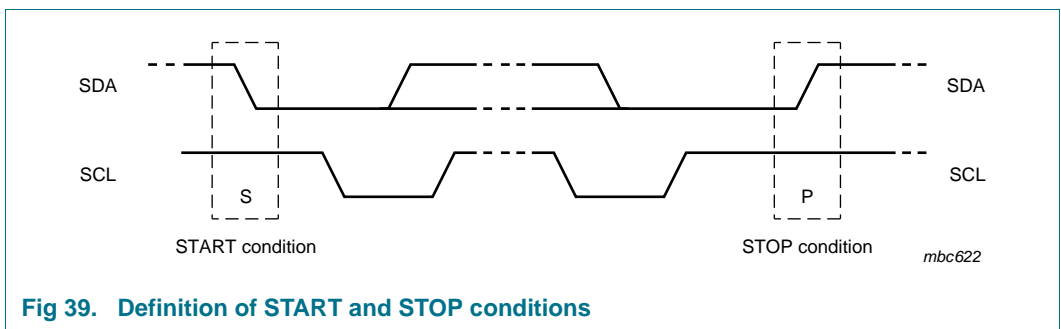


Fig 39. Definition of START and STOP conditions

Remark: For the PCF2127AT, a repeated START is not allowed. Therefore a STOP has to be released before the next START.

9.2.3 System configuration

A device generating a message is a transmitter; a device receiving a message is the receiver. The device that controls the message is the master; and the devices which are controlled by the master are the slaves.

The PCF2127AT can act as a slave transmitter and a slave receiver.

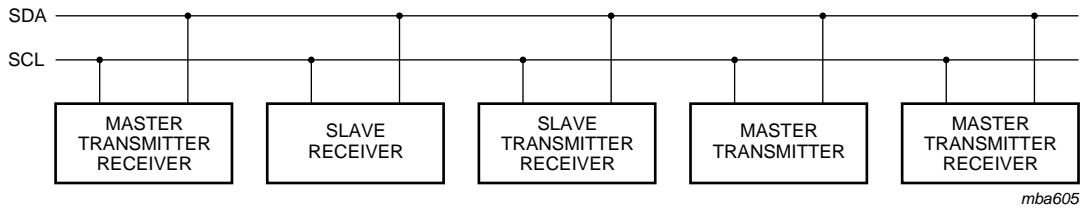


Fig 40. System configuration

9.2.4 Acknowledge

The number of data bytes transferred between the START and STOP conditions from transmitter to receiver is unlimited. Each byte of eight bits is followed by an acknowledge cycle.

- A slave receiver which is addressed must generate an acknowledge after the reception of each byte.
- Also a master receiver must generate an acknowledge after the reception of each byte that has been clocked out of the slave transmitter.
- The device that acknowledges must pull-down the SDA line during the acknowledge clock pulse, so that the SDA line is stable LOW during the HIGH period of the acknowledge related clock pulse (set-up and hold times must be considered).
- A master receiver must signal an end of data to the transmitter by not generating an acknowledge on the last byte that has been clocked out of the slave. In this event, the transmitter must leave the data line HIGH to enable the master to generate a STOP condition.

Acknowledgement on the I²C-bus is illustrated in [Figure 41](#).

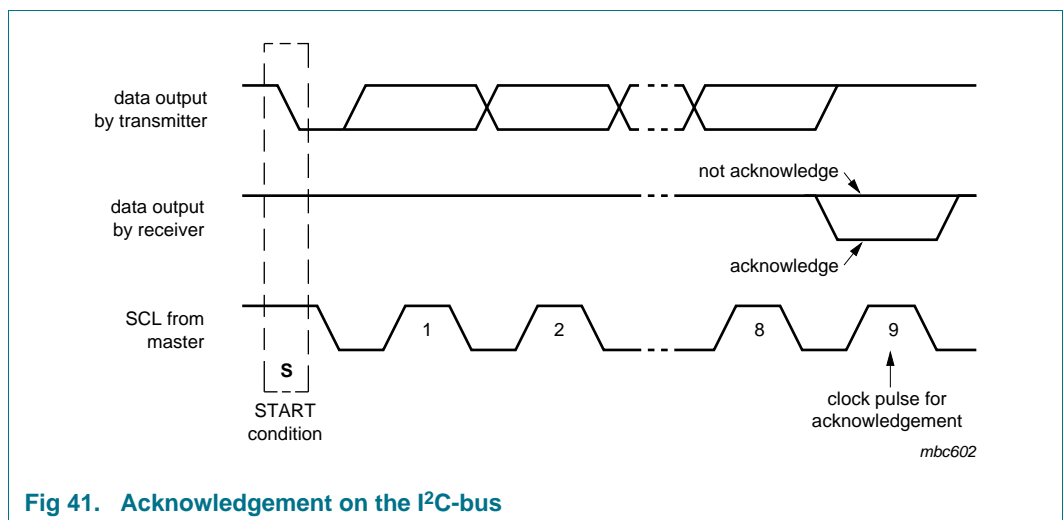


Fig 41. Acknowledgement on the I²C-bus

9.2.5 I²C-bus protocol

After a start condition, a valid hardware address has to be sent to a PCF2127AT device. The appropriate I²C-bus slave address is 1010001. The entire I²C-bus slave address byte is shown in [Table 60](#).

Table 60. I²C slave address byte

| Bit | Slave address | | | | | | | 0 LSB R/W |
|-----|---------------|---|---|---|---|---|---|-----------------|
| | 7 MSB | 6 | 5 | 4 | 3 | 2 | 1 | |
| | 1 | 0 | 1 | 0 | 0 | 0 | 1 | R/W |

The R/W bit defines the direction of the following single or multiple byte data transfer (read is logic 1, write is logic 0).

For the format and the timing of the START condition (S), the STOP condition (P), and the acknowledge bit (A) refer to the I²C-bus specification [Ref. 11 “UM10204”](#) and the characteristics table ([Table 65](#)). In the write mode, a data transfer is terminated by sending either a STOP condition or the START condition of the next data transfer.

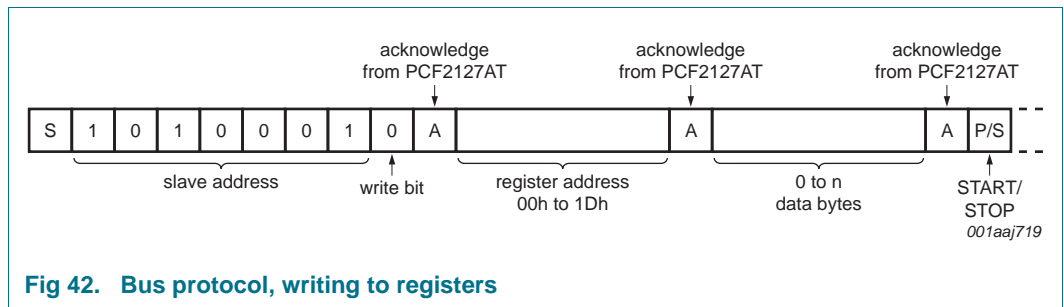


Fig 42. Bus protocol, writing to registers

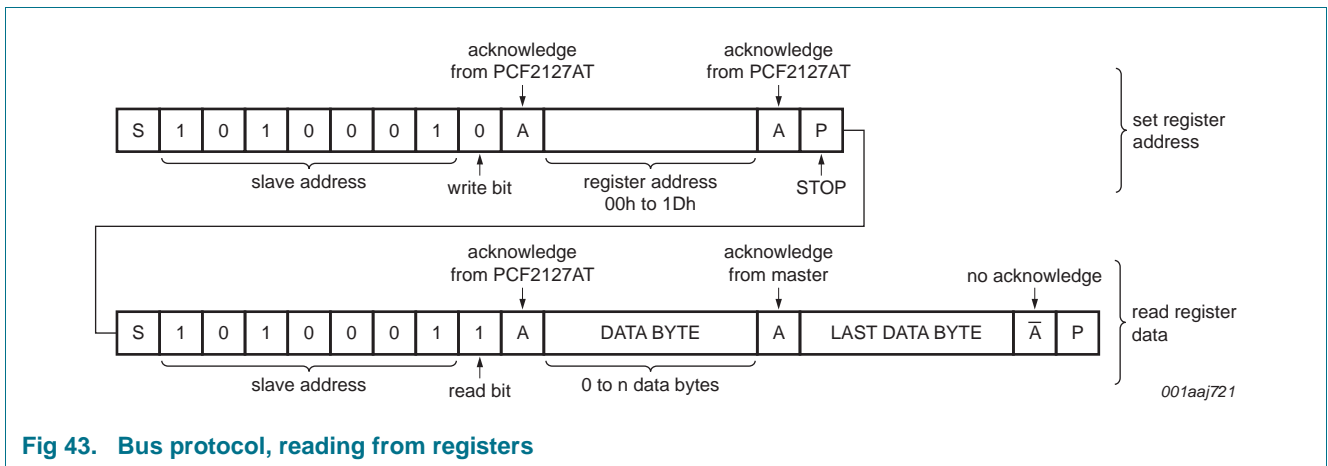


Fig 43. Bus protocol, reading from registers

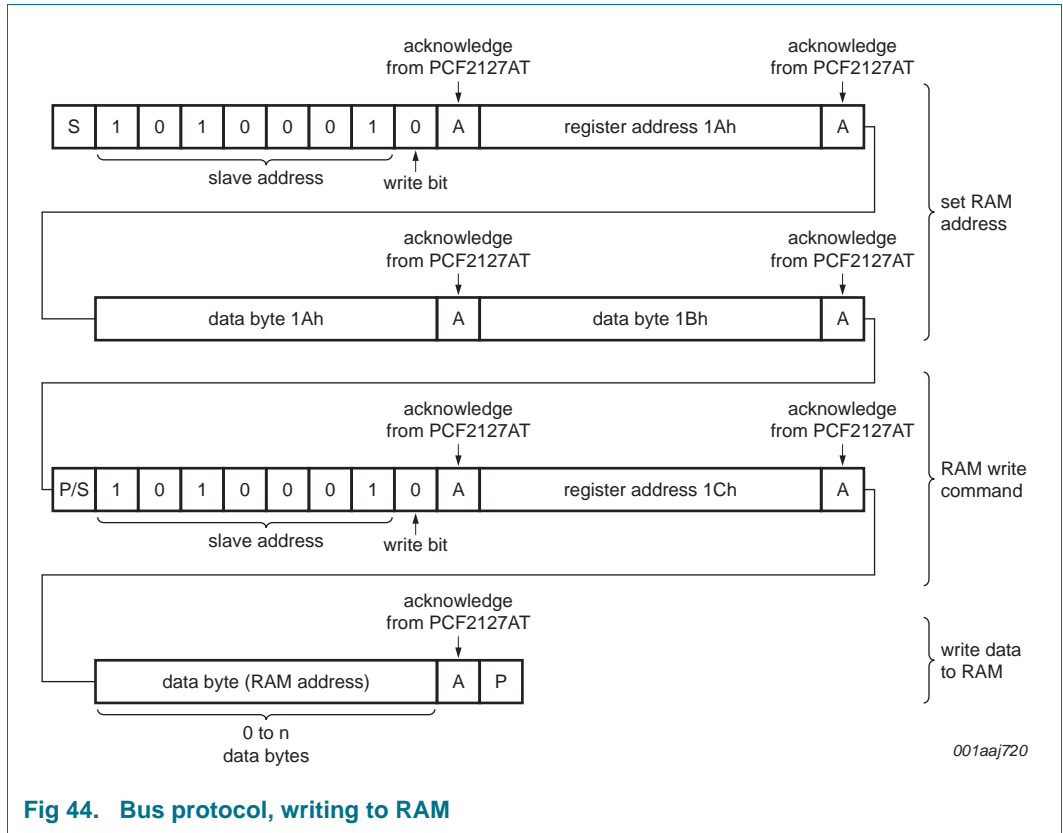


Fig 44. Bus protocol, writing to RAM

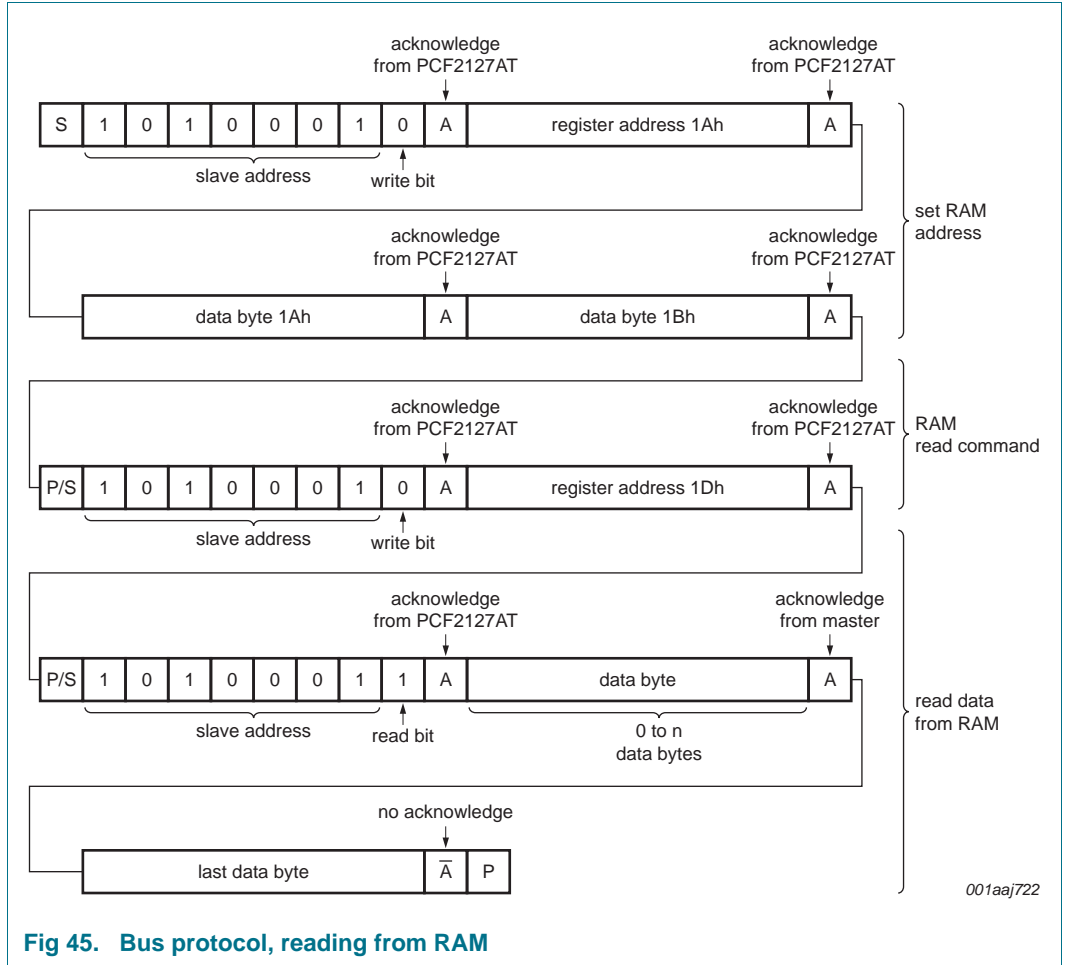
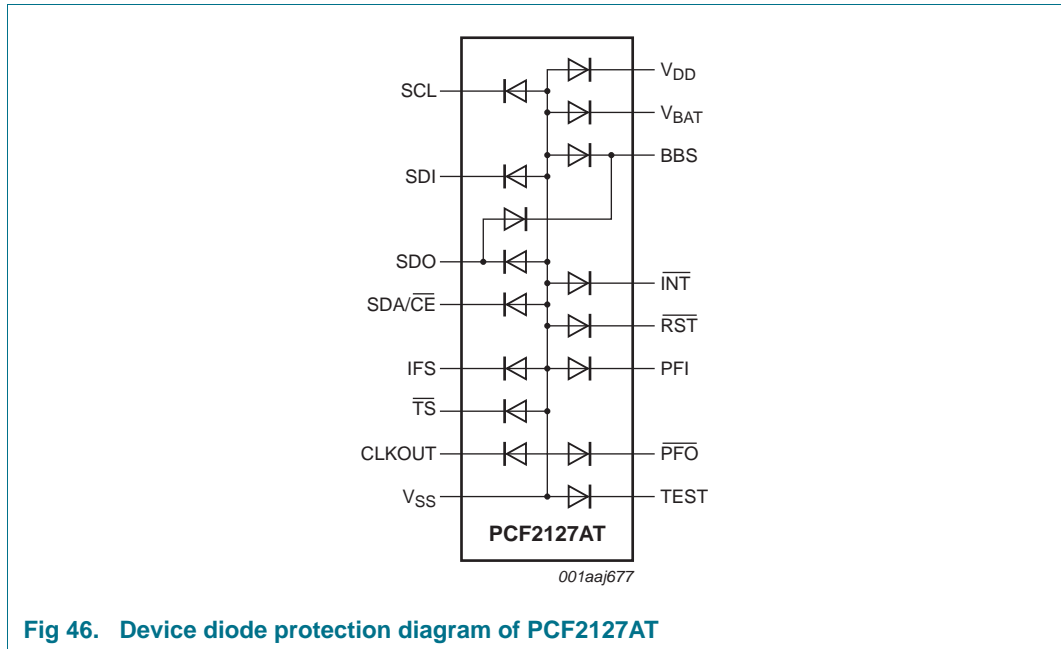


Fig 45. Bus protocol, reading from RAM

10. Internal circuitry



11. Safety notes

CAUTION



This device is sensitive to ElectroStatic Discharge (ESD). Observe precautions for handling electrostatic sensitive devices.

Such precautions are described in the *ANSI/ESD S20.20*, *IEC/ST 61340-5*, *JESD625-A* or equivalent standards.

12. Limiting values

Table 61. Limiting values

In accordance with the Absolute Maximum Rating System (IEC 60134).

| Symbol | Parameter | Conditions | Min | Max | Unit |
|-----------|---------------------------------|------------------|---------|-------|------|
| V_{DD} | supply voltage | | -0.5 | +6.5 | V |
| I_{DD} | supply current | | -50 | +50 | mA |
| V_i | input voltage | | -0.5 | +6.5 | V |
| I_i | input current | | -10 | +10 | mA |
| V_O | output voltage | | -0.5 | +6.5 | V |
| I_O | output current | | -10 | +10 | mA |
| | | at pin SDA/CE | -10 | +20 | mA |
| V_{BAT} | battery supply voltage | | -0.5 | +6.5 | V |
| P_{tot} | total power dissipation | | - | 300 | mW |
| V_{ESD} | electrostatic discharge voltage | HBM | [1] - | ±3500 | V |
| | | CDM | [2] - | ±1250 | V |
| I_{lu} | latch-up current | | [3] - | 200 | mA |
| T_{stg} | storage temperature | | [4] -55 | +85 | °C |
| T_{amb} | ambient temperature | operating device | -40 | +85 | °C |

[1] Pass level; Human Body Model (HBM) according to [Ref. 7 "JESD22-A114"](#).

[2] Pass level; Charged-Device Model (CDM), according to [Ref. 8 "JESD22-C101"](#).

[3] Pass level; latch-up testing according to [Ref. 9 "JESD78"](#) at maximum ambient temperature ($T_{amb(max)}$).

[4] According to the store and transport requirements (see [Ref. 12 "UM10569"](#)) the devices have to be stored at a temperature of +8 °C to +45 °C and a humidity of 25 % to 75 %.

13. Static characteristics

Table 62. Static characteristics
 $V_{DD} = 1.8 \text{ V to } 4.2 \text{ V}; V_{SS} = 0 \text{ V}; T_{amb} = -40 \text{ }^\circ\text{C to } +85 \text{ }^\circ\text{C}$, unless otherwise specified.

| Symbol | Parameter | Conditions | Min | Typ | Max | Unit | |
|-----------------|----------------------------|---|---------|------|------|---------------|--|
| Supplies | | | | | | | |
| V_{DD} | supply voltage | | [1] 1.8 | - | 4.2 | V | |
| V_{BAT} | battery supply voltage | | 1.8 | - | 4.2 | V | |
| $V_{DD(cal)}$ | calibration supply voltage | | - | 3.3 | - | V | |
| V_{low} | low voltage | | - | 1.2 | - | V | |
| I_{DD} | supply current | interface active; supplied by V_{DD} | | | | | |
| | | SPI-bus ($f_{SCL} = 6.5 \text{ MHz}$) | - | - | 800 | μA | |
| | | I ² C-bus ($f_{SCL} = 400 \text{ kHz}$) | - | - | 200 | μA | |
| | | interface inactive ($f_{SCL} = 0 \text{ Hz}$) ^[2] ; TCR[1:0] = 00 (see Table 9 on page 13) | | | | | |
| | | PWRMNG[2:0] = 111 (see Table 18 on page 18); TSOFF = 1 (see Table 46 on page 44); COF[2:0] = 111 (see Table 11 on page 14) | | | | | |
| | | $V_{DD} = 2.0 \text{ V}$ | - | 500 | - | nA | |
| | | $V_{DD} = 3.3 \text{ V}$ | - | 700 | 1500 | nA | |
| | | $V_{DD} = 4.2 \text{ V}$ | - | 800 | - | nA | |
| | | PWRMNG[2:0] = 111 (see Table 18 on page 18); TSOFF = 1 (see Table 46 on page 44); COF[2:0] = 000 (see Table 11 on page 14) | | | | | |
| | | $V_{DD} = 2.0 \text{ V}$ | - | 600 | - | nA | |
| | | $V_{DD} = 3.3 \text{ V}$ | - | 850 | - | nA | |
| | | $V_{DD} = 4.2 \text{ V}$ | - | 1050 | - | nA | |
| | | PWRMNG[2:0] = 000 (see Table 18 on page 18); TSOFF = 0 (see Table 46 on page 44); COF[2:0] = 111 (see Table 11 on page 14) | | | | | |
| | | V_{DD} or $V_{BAT} = 2.0 \text{ V}$ | [3] - | 1800 | - | nA | |
| | | V_{DD} or $V_{BAT} = 3.3 \text{ V}$ | [3] - | 2150 | - | nA | |
| | | V_{DD} or $V_{BAT} = 4.2 \text{ V}$ | [3] - | 2350 | 3500 | nA | |
| | | PWRMNG[2:0] = 000 (see Table 18 on page 18); TSOFF = 0 (see Table 46 on page 44); COF[2:0] = 000 (see Table 11 on page 14) | | | | | |
| | | V_{DD} or $V_{BAT} = 2.0 \text{ V}$ | [3] - | 1900 | - | nA | |
| | | V_{DD} or $V_{BAT} = 3.3 \text{ V}$ | [3] - | 2300 | - | nA | |
| | | V_{DD} or $V_{BAT} = 4.2 \text{ V}$ | [3] - | 2600 | - | nA | |
| $I_{L(bat)}$ | battery leakage current | V_{DD} is active supply; $V_{BAT} = 3.0 \text{ V}$ | - | 50 | 100 | nA | |

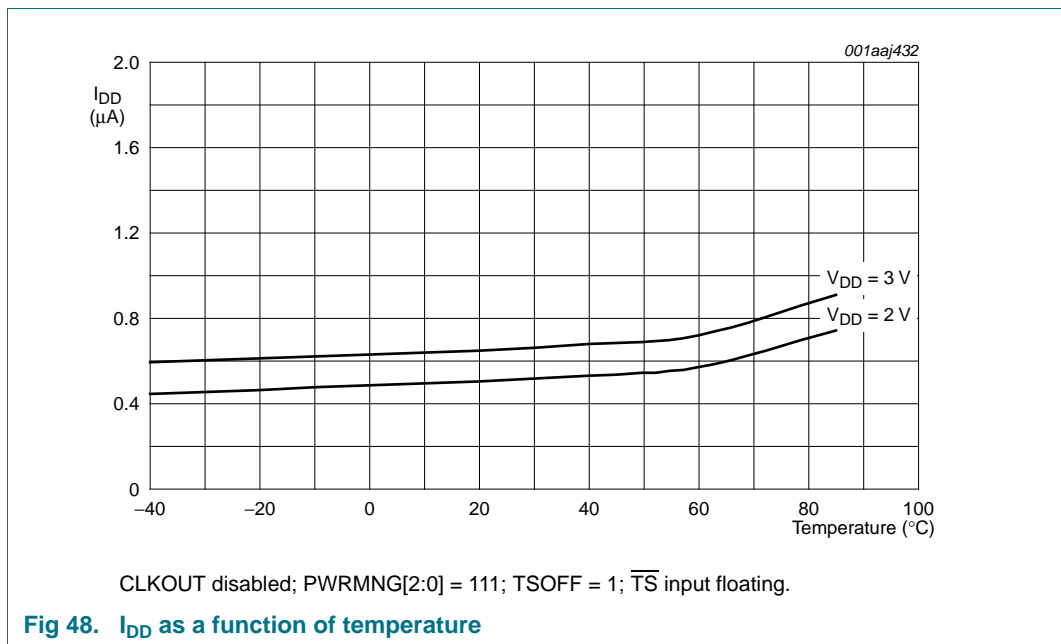
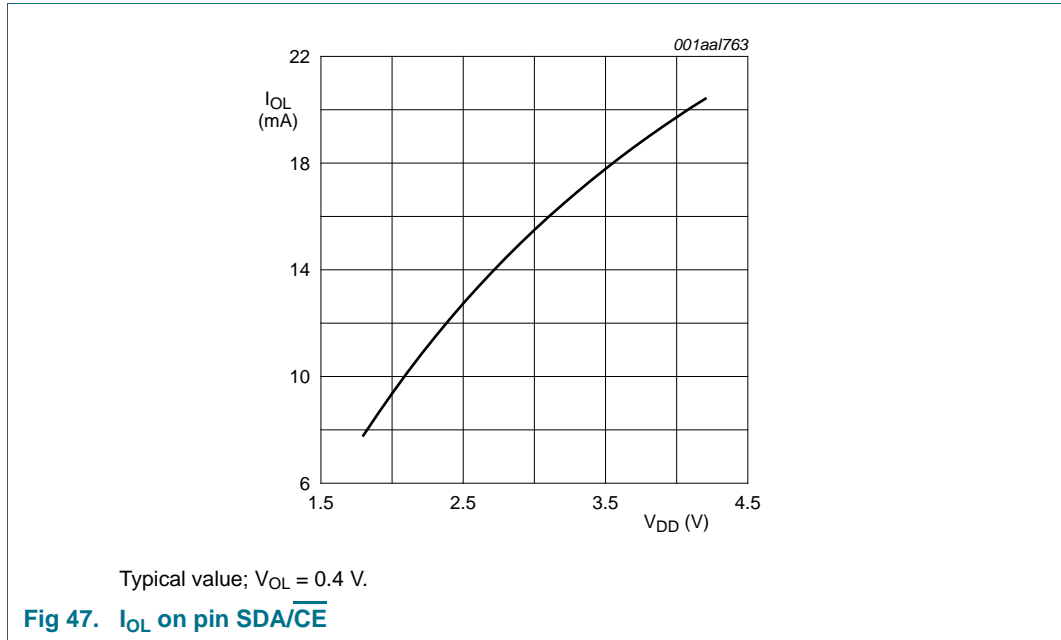
Table 62. Static characteristics ...continued

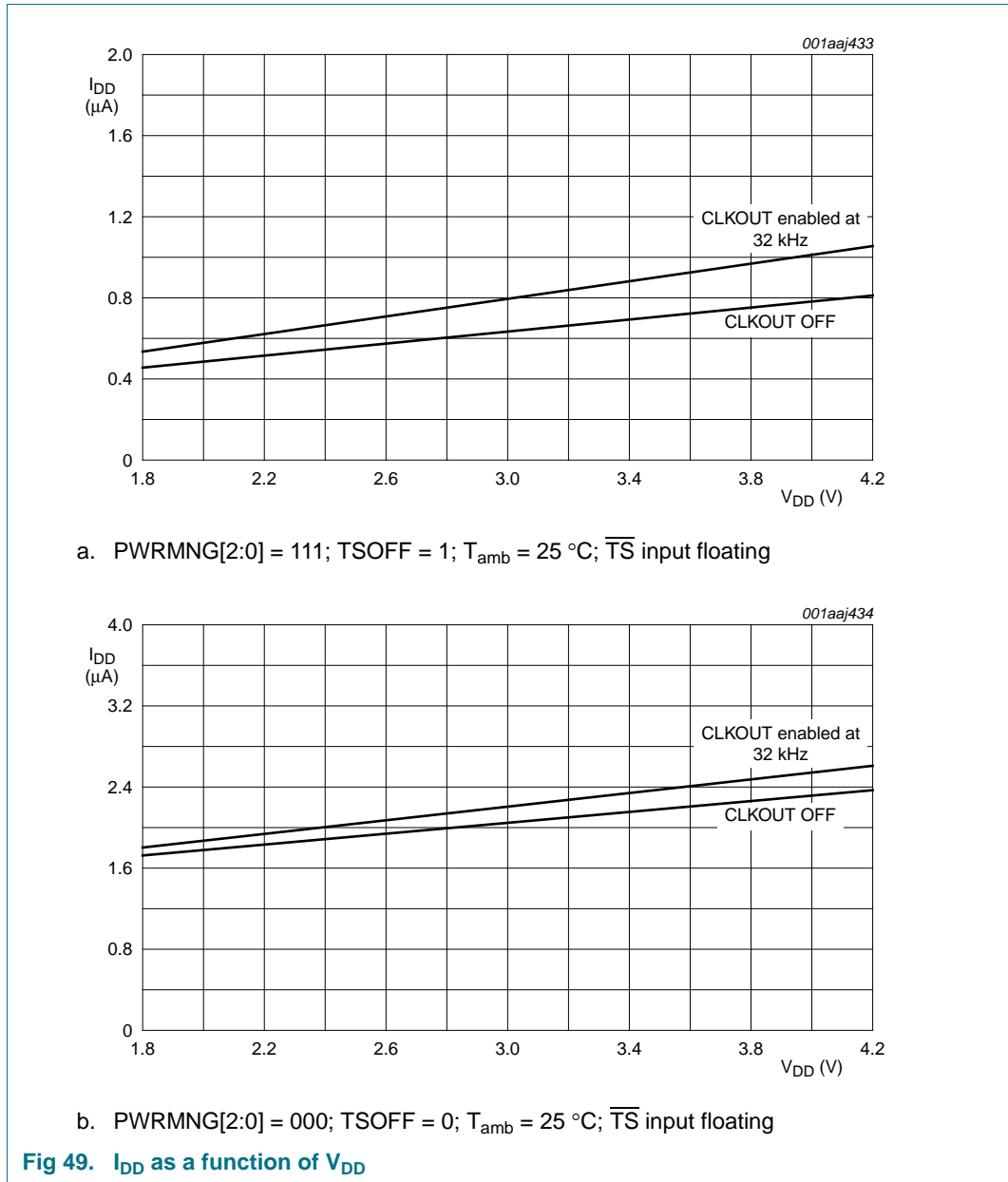
$V_{DD} = 1.8\text{ V to }4.2\text{ V}$; $V_{SS} = 0\text{ V}$; $T_{amb} = -40\text{ }^{\circ}\text{C to }+85\text{ }^{\circ}\text{C}$, unless otherwise specified.

| Symbol | Parameter | Conditions | Min | Typ | Max | Unit |
|-----------------------------|----------------------------------|---|------------------|------|-----------------|---------------|
| Power management | | | | | | |
| $V_{th(sw)bat}$ | battery switch threshold voltage | | - | 2.5 | - | V |
| $V_{th(bat)low}$ | low battery threshold voltage | | - | 2.5 | - | V |
| $V_{th(PFI)}$ | threshold voltage on pin PFI | | - | 1.25 | - | V |
| Inputs^[4] | | | | | | |
| V_I | input voltage | | -0.5 | - | $V_{DD} + 0.5$ | V |
| V_{IL} | LOW-level input voltage | | - | - | $0.25V_{DD}$ | V |
| | | $T_{amb} = -20\text{ }^{\circ}\text{C to }+85\text{ }^{\circ}\text{C}$; $V_{DD} > 2.0\text{ V}$ | - | - | $0.3V_{DD}$ | V |
| V_{IH} | HIGH-level input voltage | | $0.7V_{DD}$ | - | - | V |
| I_{LI} | input leakage current | $V_I = V_{DD}$ or V_{SS} | - | 0 | - | μA |
| | | post ESD event | -1 | - | +1 | μA |
| C_i | input capacitance | | ^[5] - | - | 7 | pF |
| Outputs | | | | | | |
| V_O | output voltage | on pins CLKOUT, INT, RST, PFO, referring to external pull-up | -0.5 | - | 5.5 | V |
| | | on pin SDO | -0.5 | - | $V_{BBS} + 0.5$ | V |
| I_{OL} | LOW-level output current | output sink current; $V_{OL} = 0.4\text{ V}$ | | | | |
| | | on pin SDA/CE | ^[6] 3 | 17 | - | mA |
| | | on all other outputs | 1.0 | - | - | mA |
| I_{OH} | HIGH-level output current | output source current; on pin SDO; $V_{OH} = 3.8\text{ V}$; $V_{DD} = 4.2\text{ V}$ | 1.0 | - | - | mA |
| I_{LO} | output leakage current | $V_O = V_{DD}$ or V_{SS} | - | 0 | - | μA |
| | | post ESD event | -1 | - | +1 | μA |

- [1] For reliable oscillator start-up at power-on: $V_{DD(po)min} = V_{DD(min)} + 0.3\text{ V}$.
- [2] Timer source clock = $\frac{1}{60}$ Hz, level of pins SDA/CE, SDI, and SCL is V_{DD} or V_{SS} .
- [3] When the device is supplied by the V_{BAT} pin instead of the V_{DD} pin, the current values for I_{BAT} will be as specified for I_{DD} under the same conditions.
- [4] The I²C-bus and the SPI-bus interface of PCF2127AT are 5 V tolerant.
- [5] Tested on sample basis.
- [6] For further information, see [Figure 47](#).

13.1 Current consumption characteristics, typical





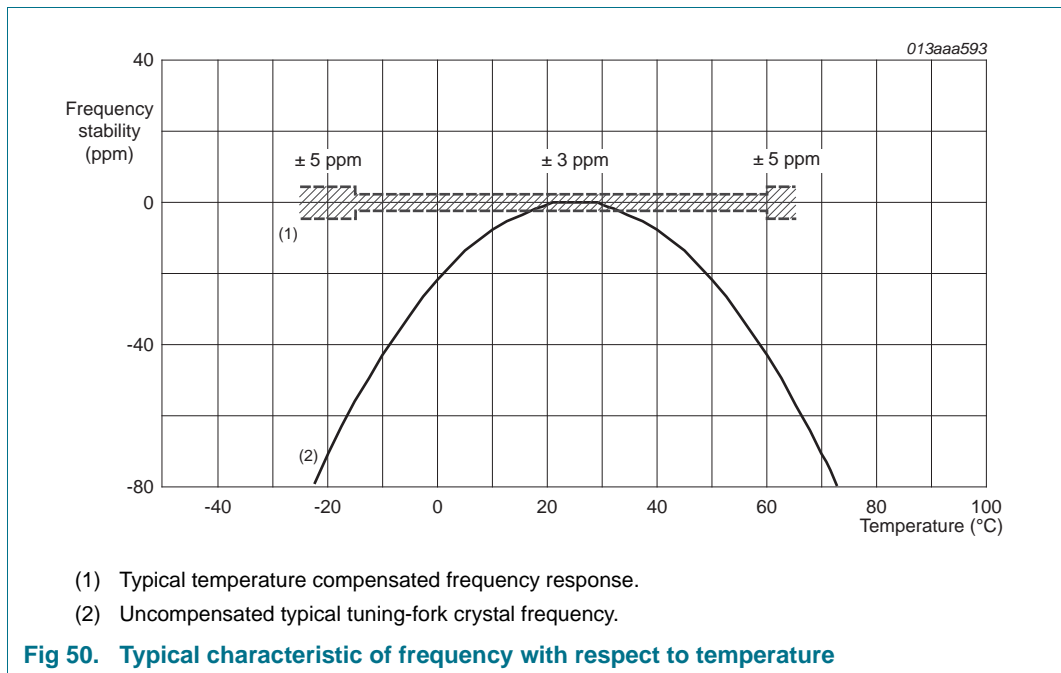
13.2 Frequency characteristics

Table 63. Frequency characteristics

$V_{DD} = 1.8\text{ V to }4.2\text{ V}$; $V_{SS} = 0\text{ V}$; $T_{amb} = +25\text{ }^\circ\text{C}$, unless otherwise specified.

| Symbol | Parameter | Conditions | Min | Typ | Max | Unit |
|----------------------------|--------------------------------------|---|--------|---------|---------|--------------|
| f_o | output frequency | on pin CLKOUT; V_{DD} or $V_{BAT} = 3.3\text{ V}$; COF[2:0] = 000; AO[3:0] = 1000 | - | 32.768 | - | kHz |
| $\Delta f/f$ | frequency stability | V_{DD} or $V_{BAT} = 3.3\text{ V}$ $T_{amb} = -15\text{ }^\circ\text{C to }+60\text{ }^\circ\text{C}$ | [1][2] | - | ± 3 | ± 5 ppm |
| | | $T_{amb} = -25\text{ }^\circ\text{C to }-15\text{ }^\circ\text{C}$ and $T_{amb} = +60\text{ }^\circ\text{C to }+65\text{ }^\circ\text{C}$ | [1][2] | - | ± 5 | ± 10 ppm |
| $\Delta f_{xtal}/f_{xtal}$ | relative crystal frequency variation | crystal aging, first year; V_{DD} or $V_{BAT} = 3.3\text{ V}$ | [3] | - | - | ± 3 ppm |
| $\Delta f/\Delta V$ | frequency variation with voltage | on pin CLKOUT | - | ± 1 | - | ppm/V |

- [1] ± 1 ppm corresponds to a time deviation of ± 0.0864 seconds per day.
- [2] Only valid if CLKOUT frequencies are not equal to 32.768 kHz or if CLKOUT is disabled.
- [3] Not production tested. Effects of reflow soldering are not included (see Ref. 3 "AN10857").



14. Dynamic characteristics

14.1 SPI-bus timing characteristics

Table 64. SPI-bus characteristics

$V_{DD} = 1.8\text{ V to }4.2\text{ V}$; $V_{SS} = 0\text{ V}$; $T_{amb} = -40\text{ }^{\circ}\text{C to }+85\text{ }^{\circ}\text{C}$, unless otherwise specified. All timing values are valid within the operating supply voltage at ambient temperature and referenced to V_{IL} and V_{IH} with an input voltage swing of V_{SS} to V_{DD} .

| Symbol | Parameter | Conditions | $V_{DD} = 1.8\text{ V}$ | | $V_{DD} = 4.2\text{ V}$ | | Unit |
|-----------------------|---------------------------------|----------------------------|-------------------------|------|-------------------------|------|------|
| | | | Min | Max | Min | Max | |
| Pin SCL | | | | | | | |
| $f_{clk(SCL)}$ | SCL clock frequency | register read/write access | - | 2.0 | - | 6.5 | MHz |
| | | RAM write access | - | 2.0 | - | 6.5 | MHz |
| | | RAM read access | - | 1.11 | - | 6.25 | MHz |
| t_{SCL} | SCL time | register read/write access | 800 | - | 140 | - | ns |
| | | RAM write access | 800 | - | 140 | - | ns |
| | | RAM read access | 900 | - | 160 | - | ns |
| $t_{clk(H)}$ | clock HIGH time | register read/write access | 100 | - | 70 | - | ns |
| | | RAM write access | 100 | - | 70 | - | ns |
| | | RAM read access | 450 | - | 80 | - | ns |
| $t_{clk(L)}$ | clock LOW time | register read/write access | 400 | - | 70 | - | ns |
| | | RAM write access | 400 | - | 70 | - | ns |
| | | RAM read access | 450 | - | 80 | - | ns |
| t_r | rise time | for SCL signal | - | 100 | - | 100 | ns |
| t_f | fall time | for SCL signal | - | 100 | - | 100 | ns |
| Pin SDA/CE | | | | | | | |
| $t_{su(CE_N)}$ | CE_N set-up time | | 60 | - | 30 | - | ns |
| $t_{h(CE_N)}$ | CE_N hold time | | 40 | - | 25 | - | ns |
| $t_{rec(CE_N)}$ | CE_N recovery time | | 100 | - | 30 | - | ns |
| $t_{w(CE_N)}$ | CE_N pulse width | | - | 0.99 | - | 0.99 | s |
| Pin SDI | | | | | | | |
| t_{su} | set-up time | set-up time for SDI data | 70 | - | 20 | - | ns |
| t_h | hold time | hold time for SDI data | 70 | - | 20 | - | ns |
| Pin SDO | | | | | | | |
| $t_{d(R)SDO}$ | SDO read delay time | $C_L = 50\text{ pF}$ | | | | | |
| | | register read access | - | 225 | - | 55 | ns |
| | | RAM read access | - | 410 | - | 55 | ns |
| $t_{dis(SDO)}$ | SDO disable time | [1] | - | 90 | - | 25 | ns |
| $t_t(SDI\text{-}SDO)$ | transition time from SDI to SDO | to avoid bus conflict | 0 | - | 0 | - | ns |

[1] No load value; bus will be held up by bus capacitance; use RC time constant with application values.

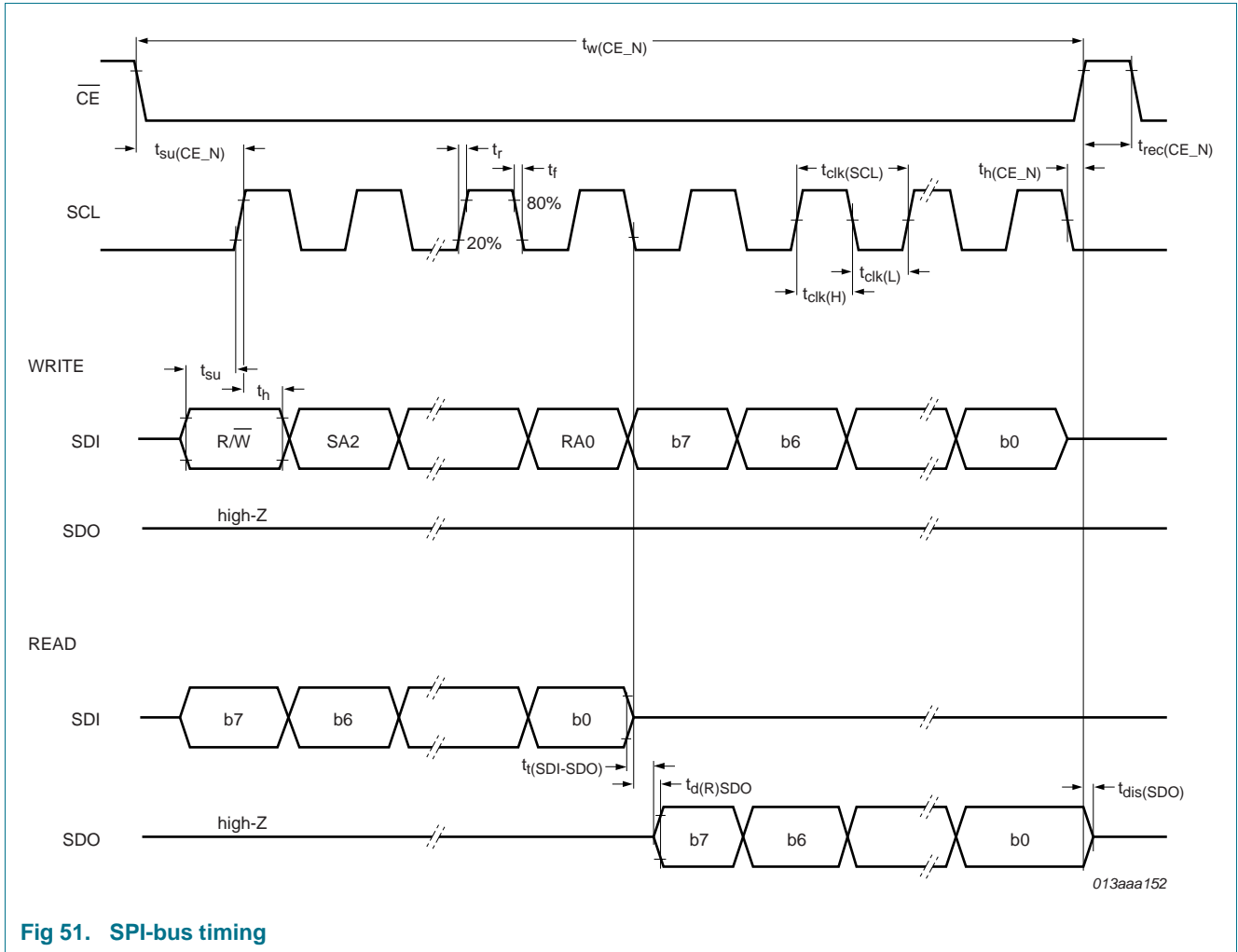


Fig 51. SPI-bus timing

14.2 I²C interface timing characteristics

Table 65. I²C-bus characteristics

All timing characteristics are valid within the operating supply voltage and ambient temperature range and reference to 30 % and 70 % with an input voltage swing of V_{SS} to V_{DD} (see [Figure 52](#)).

| Symbol | Parameter | Standard mode | | Fast-mode (Fm) | | Unit |
|----------------------------|---|---------------|------|------------------------|-----|------|
| | | Min | Max | Min | Max | |
| Pin SCL | | | | | | |
| f _{SCL} | SCL clock frequency [1] | 0 | 100 | 0 | 400 | kHz |
| t _{LOW} | LOW period of the SCL clock | 4.7 | - | 1.3 | - | μs |
| t _{HIGH} | HIGH period of the SCL clock | 4.0 | - | 0.6 | - | μs |
| Pin SDA/CE | | | | | | |
| t _{SU,DAT} | data set-up time | 250 | - | 100 | - | ns |
| t _{HD,DAT} | data hold time | 0 | - | 0 | - | ns |
| Pins SCL and SDA/CE | | | | | | |
| t _{BUF} | bus free time between a STOP and START condition | 4.7 | - | 1.3 | - | μs |
| t _{SU,STO} | set-up time for STOP condition | 4.0 | - | 0.6 | - | μs |
| t _{HD,STA} | hold time (repeated) START condition | 4.0 | - | 0.6 | - | μs |
| t _{SU,STA} | set-up time for a repeated START condition | 4.7 | - | 0.6 | - | μs |
| t _r | rise time of both SDA and SCL signals [2][3][4] | - | 1000 | 20 + 0.1C _b | 300 | ns |
| t _f | fall time of both SDA and SCL signals [2][3][4] | - | 300 | 20 + 0.1C _b | 300 | ns |
| t _{VD,ACK} | data valid acknowledge time [5] | 0.1 | 3.45 | 0.1 | 0.9 | μs |
| t _{VD,DAT} | data valid time [6] | 300 | - | 75 | - | ns |
| t _{SP} | pulse width of spikes that must be suppressed by the input filter [7] | - | 50 | - | 50 | ns |

- [1] The minimum SCL clock frequency is limited by the bus time-out feature which resets the serial bus interface if either the SDA or SCL is held LOW for a minimum of 25 ms. The bus time-out feature must be disabled for DC operation.
- [2] A master device must internally provide a hold time of at least 300 ns for the SDA signal (refer to the V_{IL} of the SCL signal) in order to bridge the undefined region of the falling edge of SCL.
- [3] C_b is the total capacitance of one bus line in pF.
- [4] The maximum t_f for the SDA and SCL bus lines is 300 ns. The maximum fall time for the SDA output stage, t_f is 250 ns. This allows series protection resistors to be connected between the SDA/CE pin, the SCL pin, and the SDA/SCL bus lines without exceeding the maximum t_f.
- [5] t_{VD,ACK} is the time of the acknowledgement signal from SCL LOW to SDA (out) LOW.
- [6] t_{VD,DAT} is the minimum time for valid SDA (out) data following SCL LOW.
- [7] Input filters on the SDA and SCL inputs suppress noise spikes of less than 50 ns.

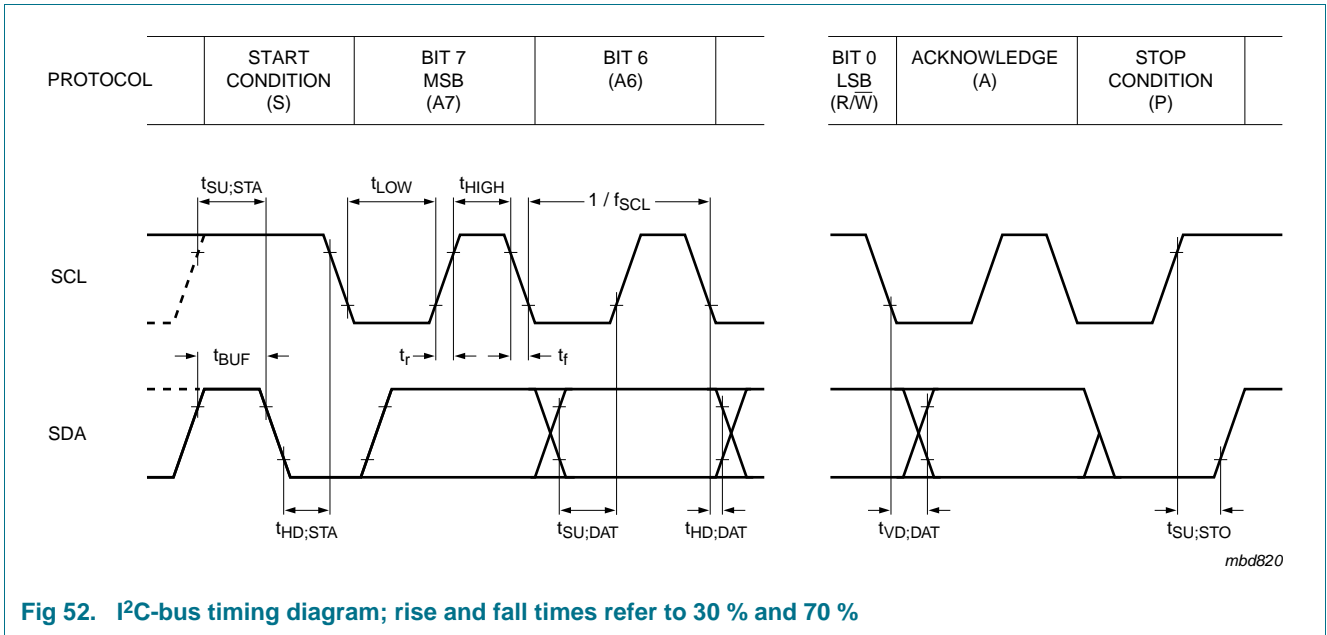


Fig 52. I²C-bus timing diagram; rise and fall times refer to 30 % and 70 %

15. Application information

For information about application configuration, see [Ref. 3 "AN10857"](#).

16. Package outline

SO20: plastic small outline package; 20 leads; body width 7.5 mm

SOT163-1

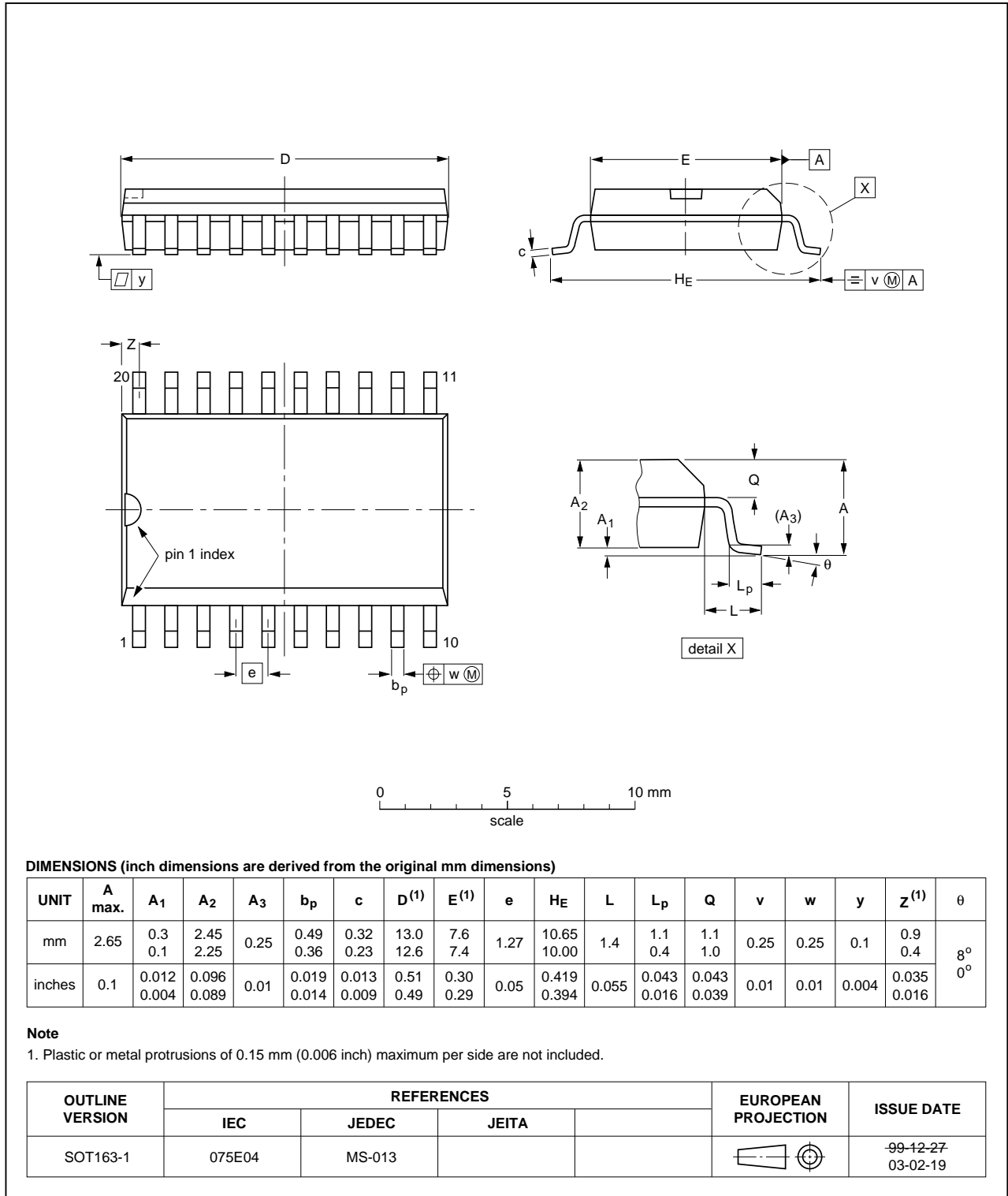


Fig 53. Package outline SOT163-1 (SO20)

17. Packing information

17.1 Carrier tape information

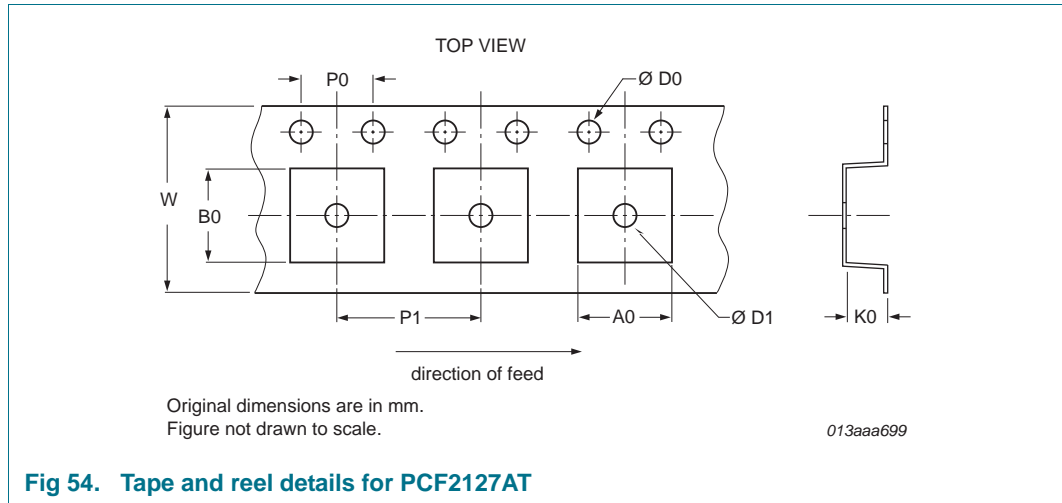


Fig 54. Tape and reel details for PCF2127AT

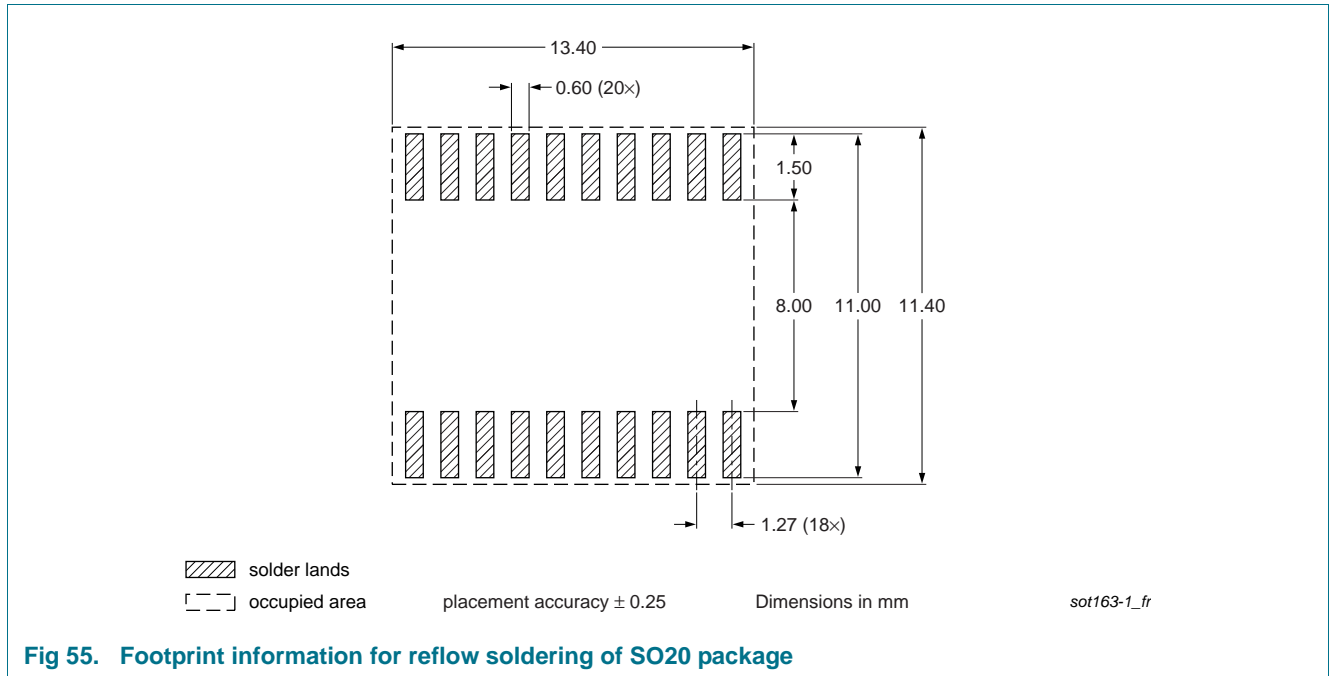
Table 66. Carrier tape dimensions of PCF2127AT

| Symbol | Description | Value | Unit |
|---------------------------|-----------------------------|--------------|------|
| Compartments | | | |
| A0 | pocket width in x direction | 10.8 to 10.9 | mm |
| B0 | pocket width in y direction | 13.3 to 13.4 | mm |
| K0 | pocket depth | 2.70 to 2.85 | mm |
| P1 | pocket hole pitch | 12.0 | mm |
| D1 | pocket hole diameter | 1.5 to 2.05 | mm |
| Overall dimensions | | | |
| W | tape width | 24.0 | mm |
| D0 | sprocket hole diameter | 1.5 to 1.55 | mm |
| P0 | sprocket hole pitch | 4.0 | mm |

18. Soldering

For information about soldering, see [Ref. 3 "AN10857"](#).

19. Footprint information



20. Abbreviations

Table 67. Abbreviations

| Acronym | Description |
|------------------|---|
| AM | Ante Meridiem |
| BCD | Binary Coded Decimal |
| CDM | Charged Device Model |
| CMOS | Complementary Metal-Oxide Semiconductor |
| DC | Direct Current |
| GPS | Global Positioning System |
| HBM | Human Body Model |
| I ² C | Inter-Integrated Circuit |
| IC | Integrated Circuit |
| LSB | Least Significant Bit |
| MCU | Microcontroller Unit |
| MSB | Most Significant Bit |
| PM | Post Meridiem |
| POR | Power-On Reset |
| PORO | Power-On Reset Override |
| PPM | Parts Per Million |
| RAM | Random Access Memory |
| RC | Resistance-Capacitance |
| RTC | Real Time Clock |
| SCL | Serial CLock line |
| SDA | Serial DAta line |
| SPI | Serial Peripheral Interface |
| SRAM | Static Random Access Memory |
| TCXO | Temperature Compensated Xtal Oscillator |
| Xtal | crystal |

21. References

- [1] **AN10365** — Surface mount reflow soldering description
- [2] **AN10853** — Handling precautions of ESD sensitive devices
- [3] **AN10857** — Application and soldering information for PCF2127A and PCF2129A TCXO RTC
- [4] **IEC 60134** — Rating systems for electronic tubes and valves and analogous semiconductor devices
- [5] **IEC 61340-5** — Protection of electronic devices from electrostatic phenomena
- [6] **IPC/JEDEC J-STD-020D** — Moisture/Reflow Sensitivity Classification for Nonhermetic Solid State Surface Mount Devices
- [7] **JESD22-A114** — Electrostatic Discharge (ESD) Sensitivity Testing Human Body Model (HBM)
- [8] **JESD22-C101** — Field-Induced Charged-Device Model Test Method for Electrostatic-Discharge-Withstand Thresholds of Microelectronic Components
- [9] **JESD78** — IC Latch-Up Test
- [10] **JESD625-A** — Requirements for Handling Electrostatic-Discharge-Sensitive (ESDS) Devices
- [11] **UM10204** — I²C-bus specification and user manual
- [12] **UM10569** — Store and transport requirements

22. Revision history

Table 68. Revision history

| Document ID | Release date | Data sheet status | Change notice | Supersedes |
|----------------|---|--------------------|---------------|---------------|
| PCF2127AT v.6 | 20130711 | Product data sheet | - | PCF2127AT v.5 |
| Modifications: | • Adjusted rise and fall time values of the SPI-bus in Table 64 | | | |
| PCF2127AT v.5 | 20130128 | Product data sheet | - | PCF2127AT v.4 |
| PCF2127AT v.4 | 20121207 | Product data sheet | - | PCF2127AT v.3 |
| PCF2127AT v.3 | 20121004 | Product data sheet | - | PCF2127A v.2 |
| PCF2127A v.2 | 20100507 | Product data sheet | - | PCF2127A v.1 |
| PCF2127A v.1 | 20100121 | Product data sheet | - | - |

23. Legal information

23.1 Data sheet status

| Document status ^{[1][2]} | Product status ^[3] | Definition |
|-----------------------------------|-------------------------------|---|
| Objective [short] data sheet | Development | This document contains data from the objective specification for product development. |
| Preliminary [short] data sheet | Qualification | This document contains data from the preliminary specification. |
| Product [short] data sheet | Production | This document contains the product specification. |

[1] Please consult the most recently issued document before initiating or completing a design.

[2] The term 'short data sheet' is explained in section "Definitions".

[3] The product status of device(s) described in this document may have changed since this document was published and may differ in case of multiple devices. The latest product status information is available on the Internet at URL <http://www.nxp.com>.

23.2 Definitions

Draft — The document is a draft version only. The content is still under internal review and subject to formal approval, which may result in modifications or additions. NXP Semiconductors does not give any representations or warranties as to the accuracy or completeness of information included herein and shall have no liability for the consequences of use of such information.

Short data sheet — A short data sheet is an extract from a full data sheet with the same product type number(s) and title. A short data sheet is intended for quick reference only and should not be relied upon to contain detailed and full information. For detailed and full information see the relevant full data sheet, which is available on request via the local NXP Semiconductors sales office. In case of any inconsistency or conflict with the short data sheet, the full data sheet shall prevail.

Product specification — The information and data provided in a Product data sheet shall define the specification of the product as agreed between NXP Semiconductors and its customer, unless NXP Semiconductors and customer have explicitly agreed otherwise in writing. In no event however, shall an agreement be valid in which the NXP Semiconductors product is deemed to offer functions and qualities beyond those described in the Product data sheet.

23.3 Disclaimers

Limited warranty and liability — Information in this document is believed to be accurate and reliable. However, NXP Semiconductors does not give any representations or warranties, expressed or implied, as to the accuracy or completeness of such information and shall have no liability for the consequences of use of such information. NXP Semiconductors takes no responsibility for the content in this document if provided by an information source outside of NXP Semiconductors.

In no event shall NXP Semiconductors be liable for any indirect, incidental, punitive, special or consequential damages (including - without limitation - lost profits, lost savings, business interruption, costs related to the removal or replacement of any products or rework charges) whether or not such damages are based on tort (including negligence), warranty, breach of contract or any other legal theory.

Notwithstanding any damages that customer might incur for any reason whatsoever, NXP Semiconductors' aggregate and cumulative liability towards customer for the products described herein shall be limited in accordance with the *Terms and conditions of commercial sale* of NXP Semiconductors.

Right to make changes — NXP Semiconductors reserves the right to make changes to information published in this document, including without limitation specifications and product descriptions, at any time and without notice. This document supersedes and replaces all information supplied prior to the publication hereof.

Suitability for use — NXP Semiconductors products are not designed, authorized or warranted to be suitable for use in life support, life-critical or safety-critical systems or equipment, nor in applications where failure or malfunction of an NXP Semiconductors product can reasonably be expected to result in personal injury, death or severe property or environmental damage. NXP Semiconductors and its suppliers accept no liability for inclusion and/or use of NXP Semiconductors products in such equipment or applications and therefore such inclusion and/or use is at the customer's own risk.

Applications — Applications that are described herein for any of these products are for illustrative purposes only. NXP Semiconductors makes no representation or warranty that such applications will be suitable for the specified use without further testing or modification.

Customers are responsible for the design and operation of their applications and products using NXP Semiconductors products, and NXP Semiconductors accepts no liability for any assistance with applications or customer product design. It is customer's sole responsibility to determine whether the NXP Semiconductors product is suitable and fit for the customer's applications and products planned, as well as for the planned application and use of customer's third party customer(s). Customers should provide appropriate design and operating safeguards to minimize the risks associated with their applications and products.

NXP Semiconductors does not accept any liability related to any default, damage, costs or problem which is based on any weakness or default in the customer's applications or products, or the application or use by customer's third party customer(s). Customer is responsible for doing all necessary testing for the customer's applications and products using NXP Semiconductors products in order to avoid a default of the applications and the products or of the application or use by customer's third party customer(s). NXP does not accept any liability in this respect.

Limiting values — Stress above one or more limiting values (as defined in the Absolute Maximum Ratings System of IEC 60134) will cause permanent damage to the device. Limiting values are stress ratings only and (proper) operation of the device at these or any other conditions above those given in the Recommended operating conditions section (if present) or the Characteristics sections of this document is not warranted. Constant or repeated exposure to limiting values will permanently and irreversibly affect the quality and reliability of the device.

Terms and conditions of commercial sale — NXP Semiconductors products are sold subject to the general terms and conditions of commercial sale, as published at <http://www.nxp.com/profile/terms>, unless otherwise agreed in a valid written individual agreement. In case an individual agreement is concluded only the terms and conditions of the respective agreement shall apply. NXP Semiconductors hereby expressly objects to applying the customer's general terms and conditions with regard to the purchase of NXP Semiconductors products by customer.

No offer to sell or license — Nothing in this document may be interpreted or construed as an offer to sell products that is open for acceptance or the grant, conveyance or implication of any license under any copyrights, patents or other industrial or intellectual property rights.

Export control — This document as well as the item(s) described herein may be subject to export control regulations. Export might require a prior authorization from competent authorities.

Non-automotive qualified products — Unless this data sheet expressly states that this specific NXP Semiconductors product is automotive qualified, the product is not suitable for automotive use. It is neither qualified nor tested in accordance with automotive testing or application requirements. NXP Semiconductors accepts no liability for inclusion and/or use of non-automotive qualified products in automotive equipment or applications.

In the event that customer uses the product for design-in and use in automotive applications to automotive specifications and standards, customer (a) shall use the product without NXP Semiconductors' warranty of the product for such automotive applications, use and specifications, and (b) whenever customer uses the product for automotive applications beyond NXP Semiconductors' specifications such use shall be solely at customer's

own risk, and (c) customer fully indemnifies NXP Semiconductors for any liability, damages or failed product claims resulting from customer design and use of the product for automotive applications beyond NXP Semiconductors' standard warranty and NXP Semiconductors' product specifications.

Translations — A non-English (translated) version of a document is for reference only. The English version shall prevail in case of any discrepancy between the translated and English versions.

23.4 Trademarks

Notice: All referenced brands, product names, service names and trademarks are the property of their respective owners.

I²C-bus — logo is a trademark of NXP B.V.

24. Contact information

For more information, please visit: <http://www.nxp.com>

For sales office addresses, please send an email to: salesaddresses@nxp.com

25. Tables

| | | | |
|--|----|--|----|
| Table 1. Ordering information | 2 | register (address 10h) bit description | 37 |
| Table 2. Ordering options | 2 | Table 36. Watchdog_tim_val - watchdog timer value | |
| Table 3. Marking codes | 2 | register (address 11h) bit description | 38 |
| Table 4. Pin description of SO20 (PCF2127AT) | 4 | Table 37. Programmable watchdog or countdown timer | 38 |
| Table 5. Register overview | 8 | Table 38. Specification of $t_{w(rst)}$ | 40 |
| Table 6. Control_1 - control and status register 1 | | Table 39. First period delay for timer counter | 41 |
| (address 00h) bit description | 10 | Table 40. Flag location in register Control_2 | 41 |
| Table 7. Control_2 - control and status register 2 | | Table 41. Example values in register Control_2 | 42 |
| (address 01h) bit description | 11 | Table 42. Example to clear only CDTF (bit 3) | 42 |
| Table 8. Control_3 - control and status register 3 | | Table 43. Example to clear only AF (bit 4) | 42 |
| (address 02h) bit description | 12 | Table 44. Example to clear only MSF (bit 7) | 42 |
| Table 9. CLKOUT_ctl - CLKOUT control register | | Table 45. Example to clear both CDTF and MSF | 42 |
| (address 0Fh) bit description | 13 | Table 46. Timestp_ctl - timestamp control register | |
| Table 10. Temperature measurement period | 13 | (address 12h) bit description | 44 |
| Table 11. CLKOUT frequency selection | 14 | Table 47. Sec_timestp - second timestamp register | |
| Table 12. Aging_offset - crystal aging offset register | | (address 13h) bit description | 44 |
| (address 19h) bit description | 15 | Table 48. Min_timestp - minute timestamp register | |
| Table 13. Frequency correction at 25 °C, typical | 15 | (address 14h) bit description | 44 |
| Table 14. RAM_addr_MSB - RAM address MSB register | | Table 49. Hour_timestp - hour timestamp register | |
| (address 1Ah) bit description | 16 | (address 15h) bit description | 45 |
| Table 15. RAM_addr_LSB - RAM address LSB register | | Table 50. Day_timestp - day timestamp register | |
| (address 1Bh) bit description | 16 | (address 16h) bit description | 45 |
| Table 16. RAM_wrt_cmd - RAM write command register | | Table 51. Mon_timestp - month timestamp register | |
| (address 1Ch) bit description | 16 | (address 17h) bit description | 45 |
| Table 17. RAM_rd_cmd - RAM read command register | | Table 52. Year_timestp - year timestamp register | |
| (address 1Dh) bit description | 16 | (address 18h) bit description | 45 |
| Table 18. Power management control bit description | 18 | Table 53. Battery switch-over and timestamp | 46 |
| Table 19. Output pin BBS | 22 | Table 54. Effect of bits MI and SI on pin INT and bit | |
| Table 20. Seconds - seconds and clock integrity | | MSF | 48 |
| register (address 03h) bit description | 30 | Table 55. INT operation (bit TI_TP = 1) | 50 |
| Table 21. Seconds coded in BCD format | 30 | Table 56. First increment of time circuits after stop | |
| Table 22. Minutes - minutes register (address 04h) bit | | release | 54 |
| description | 30 | Table 57. Interface selection input pin IFS | 56 |
| Table 23. Hours - hours register (address 05h) bit | | Table 58. Serial interface | 57 |
| description | 31 | Table 59. Command byte definition | 58 |
| Table 24. Days - days register (address 06h) bit | | Table 60. I ² C slave address byte | 61 |
| description | 31 | Table 61. Limiting values | 65 |
| Table 25. Weekdays - weekdays register (address 07h) | | Table 62. Static characteristics | 66 |
| bit description | 31 | Table 63. Frequency characteristics | 70 |
| Table 26. Weekday assignments | 31 | Table 64. SPI-bus characteristics | 71 |
| Table 27. Months - months register (address 08h) bit | | Table 65. I ² C-bus characteristics | 73 |
| description | 32 | Table 66. Carrier tape dimensions of PCF2127AT | 76 |
| Table 28. Month assignments in BCD format | 32 | Table 67. Abbreviations | 78 |
| Table 29. Years - years register (address 09h) bit | | Table 68. Revision history | 80 |
| description | 32 | | |
| Table 30. Second_alarm - second alarm register | | | |
| (address 0Ah) bit description | 34 | | |
| Table 31. Minute_alarm - minute alarm register | | | |
| (address 0Bh) bit description | 35 | | |
| Table 32. Hour_alarm - hour alarm register | | | |
| (address 0Ch) bit description | 35 | | |
| Table 33. Day_alarm - day alarm register | | | |
| (address 0Dh) bit description | 35 | | |
| Table 34. Weekday_alarm - weekday alarm register | | | |
| (address 0Eh) bit description | 36 | | |
| Table 35. Watchdog_tim_ctl - watchdog timer control | | | |

26. Figures

| | | | |
|--|----|---|----|
| Fig 1. Block diagram of PCF2127AT | 3 | Fig 37. SPI-bus read example. | 58 |
| Fig 2. Pin configuration for SO20 (PCF2127AT) | 4 | Fig 38. Bit transfer. | 59 |
| Fig 3. Handling address registers | 6 | Fig 39. Definition of START and STOP conditions | 59 |
| Fig 4. Battery switch-over behavior in standard mode with bit BIE set logic 1 (enabled) | 20 | Fig 40. System configuration. | 60 |
| Fig 5. Battery switch-over behavior in direct switching mode with bit BIE set logic 1 (enabled) | 21 | Fig 41. Acknowledgement on the I ² C-bus. | 60 |
| Fig 6. Battery switch-over circuit, simplified block diagram | 22 | Fig 42. Bus protocol, writing to registers | 61 |
| Fig 7. Typical driving capability of V _{BBS} : (V _{BBS} - V _{DD}) with respect to the output load current I _{BBS} | 23 | Fig 43. Bus protocol, reading from registers | 61 |
| Fig 8. Battery low detection behavior with bit BLIE set logic 1 (enabled) | 24 | Fig 44. Bus protocol, writing to RAM. | 62 |
| Fig 9. Typical application of the extra power fail detection function. | 24 | Fig 45. Bus protocol, reading from RAM. | 63 |
| Fig 10. PFO signal behavior when battery switch-over is enabled in standard mode and $V_{th(uvp)} > (V_{BAT}, V_{th(sw)bat})$ | 25 | Fig 46. Device diode protection diagram of PCF2127AT | 64 |
| Fig 11. PFO signal behavior when battery switch-over is enabled in direct switching mode and $V_{th(uvp)} < V_{BAT}$ | 26 | Fig 47. I _{OL} on pin SDA/ \overline{CE} | 68 |
| Fig 12. PFO signal behavior when battery switch-over is disabled | 26 | Fig 48. I _{DD} as a function of temperature | 68 |
| Fig 13. Power failure event due to battery discharge: reset occurs | 27 | Fig 49. I _{DD} as a function of V _{DD} | 69 |
| Fig 14. Dependency between POR and oscillator | 28 | Fig 50. Typical characteristic of frequency with respect to temperature. | 70 |
| Fig 15. Power-On Reset (POR) system. | 29 | Fig 51. SPI-bus timing. | 72 |
| Fig 16. Power-On Reset Override (PORO) sequence, valid for both I ² C-bus and SPI-bus | 29 | Fig 52. I ² C-bus timing diagram; rise and fall times refer to 30 % and 70 % | 74 |
| Fig 17. Data flow of the time function. | 33 | Fig 53. Package outline SOT163-1 (SO20) | 75 |
| Fig 18. Access time for read/write operations | 33 | Fig 54. Tape and reel details for PCF2127AT | 76 |
| Fig 19. Alarm function block diagram. | 34 | Fig 55. Footprint information for reflow soldering of SO20 package | 77 |
| Fig 20. Alarm flag timing diagram | 36 | | |
| Fig 21. WD_CD[1:0] = 10: watchdog activates an interrupt when timed out | 39 | | |
| Fig 22. WD_CD[1:0] = 11: watchdog activates a reset pulse when timed out. | 39 | | |
| Fig 23. General countdown timer behavior | 40 | | |
| Fig 24. Timestam _p detection with two push-buttons on the TS pin (for example, for tamper detection) | 43 | | |
| Fig 25. Interrupt block diagram | 47 | | |
| Fig 26. \overline{INT} example for SI and MI when TI_TP is logic 1 | 49 | | |
| Fig 27. \overline{INT} example for SI and MI when TI_TP is logic 0 | 49 | | |
| Fig 28. Example of shortening the \overline{INT} pulse by clearing the MSF flag. | 50 | | |
| Fig 29. Example of shortening the \overline{INT} pulse by clearing the CDTF flag. | 51 | | |
| Fig 30. AF timing diagram | 51 | | |
| Fig 31. STOP bit functional diagram | 55 | | |
| Fig 32. STOP bit release timing. | 55 | | |
| Fig 33. Interface selection | 56 | | |
| Fig 34. SDI, SDO configurations | 57 | | |
| Fig 35. Data transfer overview. | 57 | | |
| Fig 36. SPI-bus write example. | 58 | | |

27. Contents

| | | | | | |
|----------|--|----------|----------|--|----|
| 1 | General description | 1 | 8.8.1 | Power-On Reset (POR) | 28 |
| 2 | Features and benefits | 1 | 8.8.2 | Power-On Reset Override (PORO) | 28 |
| 3 | Applications | 2 | 8.9 | Time and date function | 30 |
| 4 | Ordering information | 2 | 8.9.1 | Register Seconds | 30 |
| 4.1 | Ordering options | 2 | 8.9.2 | Register Minutes | 30 |
| 5 | Marking | 2 | 8.9.3 | Register Hours | 31 |
| 6 | Block diagram | 3 | 8.9.4 | Register Days | 31 |
| 7 | Pinning information | 4 | 8.9.5 | Register Weekdays | 31 |
| 7.1 | Pinning | 4 | 8.9.6 | Register Months | 32 |
| 7.2 | Pin description | 4 | 8.9.7 | Register Years | 32 |
| 8 | Functional description | 6 | 8.9.8 | Setting and reading the time | 32 |
| 8.1 | Register overview | 6 | 8.10 | Alarm function | 34 |
| 8.2 | Control registers | 10 | 8.10.1 | Register Second_alarm | 34 |
| 8.2.1 | Register Control_1 | 10 | 8.10.2 | Register Minute_alarm | 35 |
| 8.2.2 | Register Control_2 | 11 | 8.10.3 | Register Hour_alarm | 35 |
| 8.2.3 | Register Control_3 | 12 | 8.10.4 | Register Day_alarm | 35 |
| 8.3 | Register CLKOUT_ctl | 13 | 8.10.5 | Register Weekday_alarm | 36 |
| 8.3.1 | Temperature compensated crystal oscillator | 13 | 8.10.6 | Alarm flag | 36 |
| 8.3.1.1 | Temperature measurement | 13 | 8.11 | Timer functions | 37 |
| 8.3.2 | Clock output | 13 | 8.11.1 | Register Watchdg_tim_ctl | 37 |
| 8.4 | Register Aging_offset | 15 | 8.11.2 | Register Watchdg_tim_val | 38 |
| 8.4.1 | Crystal aging correction | 15 | 8.11.3 | Watchdog timer function | 38 |
| 8.5 | General purpose 512 bytes static RAM | 16 | 8.11.4 | Countdown timer function | 40 |
| 8.5.1 | Register RAM_addr_MSB | 16 | 8.11.5 | Pre-defined timers: second and minute interrupt | 41 |
| 8.5.2 | Register RAM_addr_LSB | 16 | 8.11.6 | Clearing flags | 41 |
| 8.5.3 | Register RAM_wrt_cmd | 16 | 8.12 | Timestamp function | 43 |
| 8.5.4 | Register RAM_rd_cmd | 16 | 8.12.1 | Timestamp flag | 43 |
| 8.5.5 | Operation examples | 17 | 8.12.2 | Timestamp mode | 44 |
| 8.5.5.1 | Writing to the RAM | 17 | 8.12.3 | Timestamp registers | 44 |
| 8.5.5.2 | Reading from the RAM | 17 | 8.12.3.1 | Register Timestp_ctl | 44 |
| 8.6 | Power management functions | 18 | 8.12.3.2 | Register Sec_timestp | 44 |
| 8.6.1 | Battery switch-over function | 19 | 8.12.3.3 | Register Min_timestp | 44 |
| 8.6.1.1 | Standard mode | 20 | 8.12.3.4 | Register Hour_timestp | 45 |
| 8.6.1.2 | Direct switching mode | 21 | 8.12.3.5 | Register Day_timestp | 45 |
| 8.6.1.3 | Battery switch-over disabled: only one power supply (V _{DD}) | 21 | 8.12.3.6 | Register Mon_timestp | 45 |
| 8.6.1.4 | Battery switch-over architecture | 22 | 8.12.3.7 | Register Year_timestp | 45 |
| 8.6.2 | Battery backup supply | 22 | 8.12.4 | Dependency between Battery switch-over and timestamp | 46 |
| 8.6.3 | Battery low detection function | 23 | 8.13 | Interrupt output, INT | 47 |
| 8.6.4 | Extra power fail detection function | 24 | 8.13.1 | Minute and second interrupts | 48 |
| 8.6.4.1 | Extra power fail detection when the battery switch over function is enabled | 25 | 8.13.2 | Countdown timer interrupts | 49 |
| 8.6.4.2 | Extra power fail detection when the battery switch-over function is disabled | 26 | 8.13.3 | INT pulse shortening | 49 |
| 8.7 | Oscillator stop detection function | 27 | 8.13.4 | Watchdog timer interrupts | 51 |
| 8.8 | Reset function | 28 | 8.13.5 | Alarm interrupts | 51 |
| | | | 8.13.6 | Timestamp interrupts | 52 |
| | | | 8.13.7 | Battery switch-over interrupts | 52 |
| | | | 8.13.8 | Battery low detection interrupts | 52 |

continued >>

| | | |
|-----------|---|-----------|
| 8.14 | External clock test mode | 53 |
| 8.15 | STOP bit function | 54 |
| 9 | Interfaces | 56 |
| 9.1 | SPI-bus interface | 57 |
| 9.1.1 | Data transmission | 57 |
| 9.2 | I ² C-bus interface | 59 |
| 9.2.1 | Bit transfer | 59 |
| 9.2.2 | START and STOP conditions | 59 |
| 9.2.3 | System configuration | 59 |
| 9.2.4 | Acknowledge | 60 |
| 9.2.5 | I ² C-bus protocol | 61 |
| 10 | Internal circuitry | 64 |
| 11 | Safety notes | 64 |
| 12 | Limiting values | 65 |
| 13 | Static characteristics | 66 |
| 13.1 | Current consumption characteristics, typical | 68 |
| 13.2 | Frequency characteristics | 70 |
| 14 | Dynamic characteristics | 71 |
| 14.1 | SPI-bus timing characteristics | 71 |
| 14.2 | I ² C interface timing characteristics | 73 |
| 15 | Application information | 74 |
| 16 | Package outline | 75 |
| 17 | Packing information | 76 |
| 17.1 | Carrier tape information | 76 |
| 18 | Soldering | 76 |
| 19 | Footprint information | 77 |
| 20 | Abbreviations | 78 |
| 21 | References | 79 |
| 22 | Revision history | 80 |
| 23 | Legal information | 81 |
| 23.1 | Data sheet status | 81 |
| 23.2 | Definitions | 81 |
| 23.3 | Disclaimers | 81 |
| 23.4 | Trademarks | 82 |
| 24 | Contact information | 82 |
| 25 | Tables | 83 |
| 26 | Figures | 84 |
| 27 | Contents | 85 |

Please be aware that important notices concerning this document and the product(s) described herein, have been included in section 'Legal information'.

© NXP B.V. 2013.

All rights reserved.

For more information, please visit: <http://www.nxp.com>

For sales office addresses, please send an email to: salesaddresses@nxp.com

Date of release: 11 July 2013

Document identifier: PCF2127AT