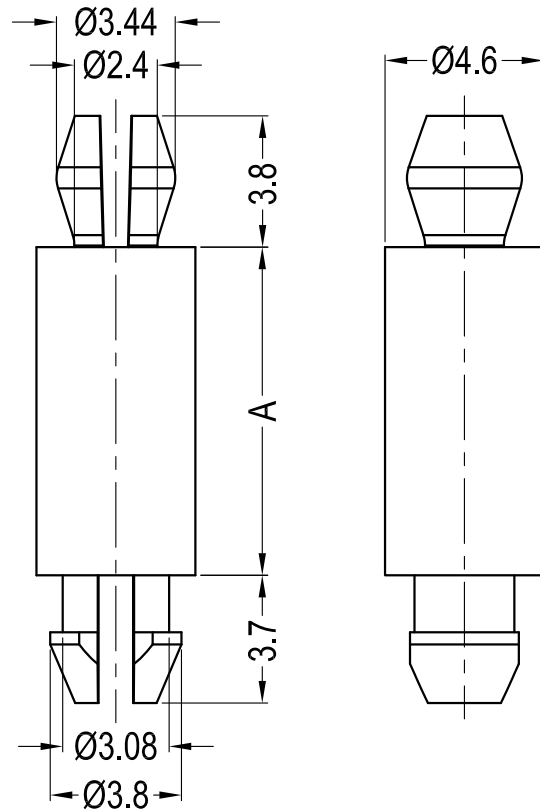


DO NOT SCALE DRAWING

REVISIONS				
ZONE	REV.	DESCRIPTION	DATE	APPROVED
	A	DRAWN	08-08-2013	



Part No.	A
TRMSPM-1S-01	2.54
TRMSPM-1-01	2.0
TRMSPM-2-01	3.2
TRMSPM-4M-01	4.0
TRMSPM-3-01	4.8
TRMSPM-4-01	6.4
TRMSPM-5-01	7.9
TRMSPM-6-01	9.5
TRMSPM-7-01	11.1
TRMSPM-8-01	12.7
TRMSPM-9-01	14.3
TRMSPM-10-01	15.9
TRMSPM-11-01	17.5
TRMSPM-12-01	19.1
TRMSPM-13-01	20.6
TRMSPM-14-01	22.2
TRMSPM-16-01	25.4
TRMSPM-18-01	28.6
TRMSPM-20-01	31.7
TRMSPM-22-01	34.9
TRMSPM-24-01	38.1

Notes:

- 1.RoHS Compliant;
- 2.Top Hole:Ø3.18±0.08mm;
Panel Thickness:1.57mm;
- 3.Bottom Hole:Ø3.18±0.08mm;
Panel Thickness:1.57mm;



DESIGN RIGHT. TR FASTENINGS LTD. 2003
UNDER NO CIRCUMSTANCES MUST THIS
DRAWING BE COPIED OR DISCLOSED.
WITHOUT FIRST OBTAINING WRITTEN
AUTHORITY.

UNLESS OTHERWISE SPECIFIED:
DIMENSIONS ARE IN MILLIMETERS.
SURFACE FINISH:
TOLERANCES:
L≤4 = ±0.1 4<L≤15 = ±0.2
15<L≤50 = ±0.3 50<L≤100 = ±0.4

NAME	DATE
DRAWN MARTIN ELLIOTT	08/08/2013
CHK'D	
APP'D	

MATERIAL
PA66 UL94 V2

HEAT TREATMENT
N/A

FINISH
NATURAL

TITLE
MINI SUPPORT POST

DWG NO.
TRMSPM-XX-01

A3