

# Terminal Block Header Horizontal Screw Flange

## 20.155MHF/xx-E (21.155MHF/xx-E)

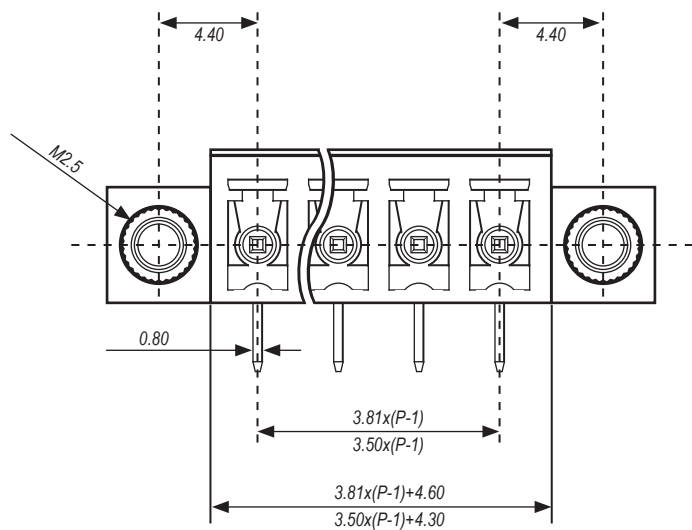
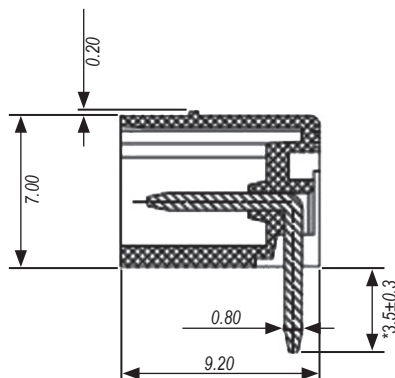
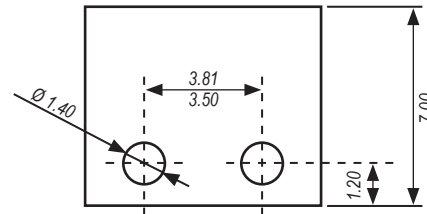
- 300V 8A UL
- UL94V-0
- PA66
- 3.50mm (3.81mm) Pin Pitch
- RoHS Compliant
- xx = Number of Poles (available from 2~24 poles)



File Number: E244285

### Technical Data

Pitch	3.50mm (3.81mm)
UL Rating	300V 8Amps
IEC Rating	250V 10Amps
Solder Pin	Brass, Tin Plated
Wire Range	n/a
PCB Hole Diameter	1.4mm
Screw	n/a
Screw Torque	n/a
Insulation Voltage	AC2000V / 1 Min
Initial Contact Resistance	20mΩ (typical)
Insulation Resistance	500mΩ / DC500V
Temperature Range	-40 to +105°C
Max Soldering	+250°C for 5 sec



Dimensions shown in mm      P = No of Poles

Supplied in green as standard  
Other colour options and printing may be available depending on quantity  
Please contact IMO for further information