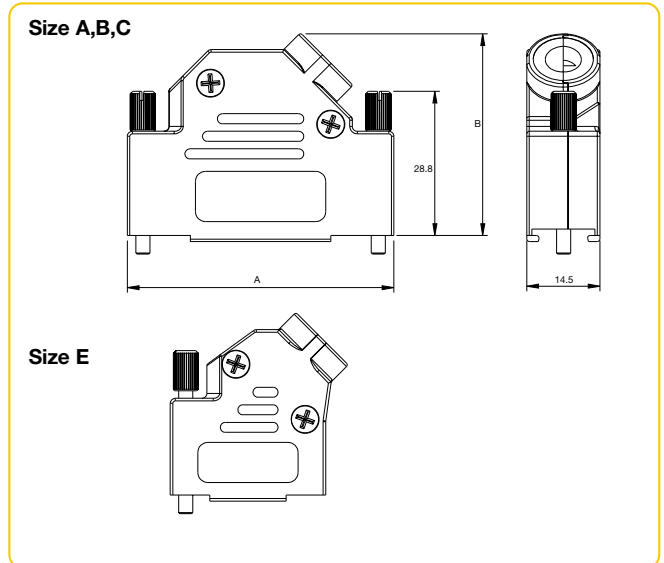


Cable applications

5 • Angle exit metal hood for cable EMI / RFI - Economical series



| Shell size | Part number | A | B | Cable diameter |
|------------|----------------|------|------|----------------|
| E (9) | 8655MHRA0901LF | 31.0 | 36.2 | 4 to 13 mm |
| A (15) | 8655MHRA1501LF | 39.5 | 40.2 | |
| B (25) | 8655MHRA2501LF | 53.2 | 40.2 | |
| C (37) | 8655MHRA3701LF | 69.7 | 40.2 | 10 to 16 mm |
| D (50) | 8655MHRA5001LF | 67.2 | 43.7 | |

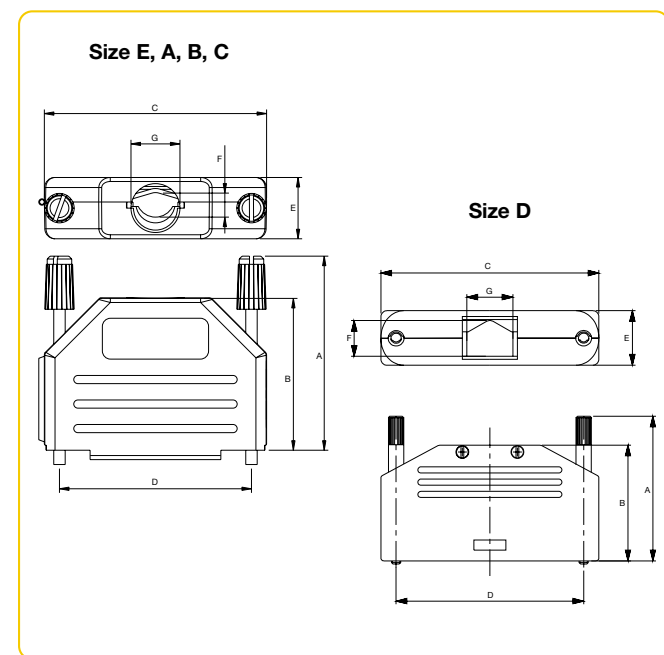


- Material** : zamack, nickel plated
- Cable strain relief** : steel fibre reinforced polycarbonat UL 94V0 for EMI/RFI screening
- Temperature range** : -40°C +120°C
- Environment** : >40 dB between 30 MHz and 1 GHz
- Packaging** : bulk, in box of 100 pieces
- Locking screws** : UNC 4-40 thread

6 • “Snap together” plastic hood



| Shell size | Part number | A | B | C | D | E | with clamp | | without clamp | | |
|------------|-------------|------|------|------|-------|----|------------|-------|---------------|----|-----|
| | | | | | | | F min | F max | G | F | G |
| E(9) | 86303637BLF | 47.3 | 31.3 | 32.4 | 24.99 | 15 | 1 | 5.5 | 8.5 | 7 | 8.5 |
| A(15) | 86303638BLF | 47.3 | 30.8 | 40.7 | 33.32 | 15 | 4 | 7 | 12 | 11 | 12 |
| B(25) | 86303639BLF | 47.3 | 37.3 | 54.4 | 47.04 | 15 | 4 | 7 | 12 | 11 | 12 |
| C(37) | 86303640BLF | 47.3 | 36 | 70.9 | 63.5 | 15 | 4 | 7 | 12 | 11 | 12 |
| D(50) | 86303641BLF | 47.3 | 37.8 | 71.2 | 61.11 | 15 | 4.4 | 11.5 | 15.5 | 14 | 18 |



- Material (size E,A,B,C)** : nylon (UL 94V2)
- Material (size D)** : thermoplastic (UL 94V2)
- Colour** : black
- Temperature range** : -40°C +95°C
- Packaging** : individual sets
- Locking screws** : UNC 4-40 thread