

May.1.2017 Copyright 2017 HIROSE ELECTRIC CO., LTD. All Rights Reserved.

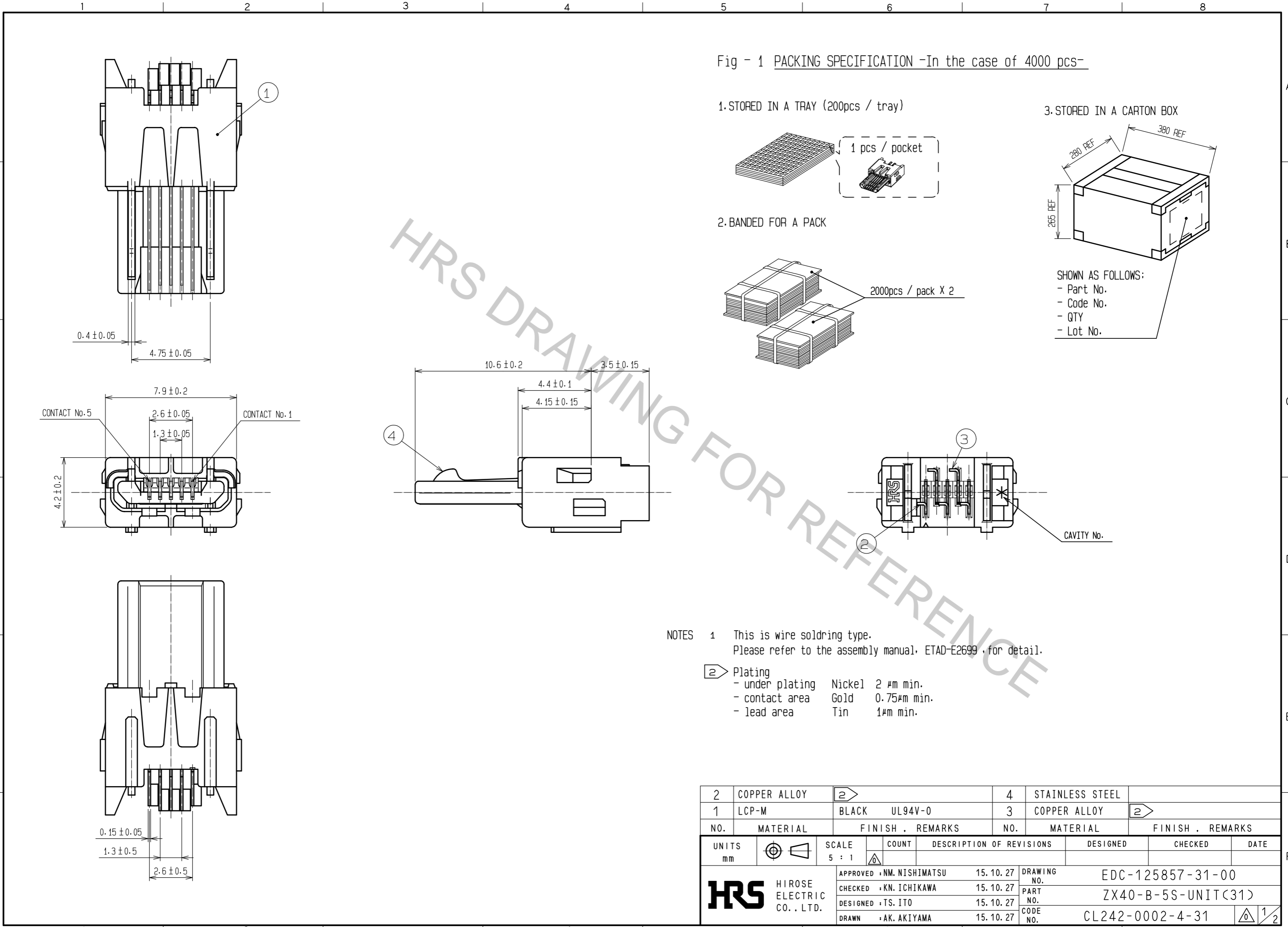
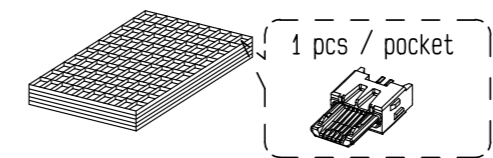
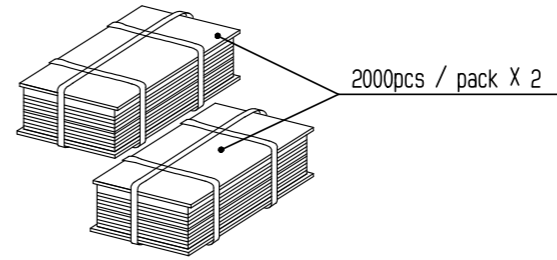


Fig - 1 PACKING SPECIFICATION -In the case of 4000 pcs-

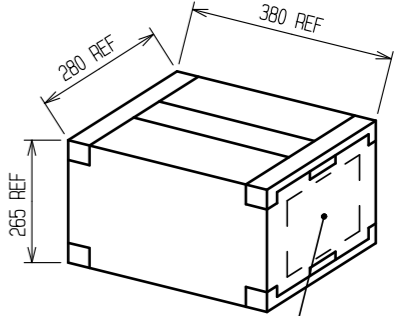
1. STORED IN A TRAY (200pcs / tray)



2. BANDED FOR A PACK



3. STORED IN A CARTON BOX



SHOWN AS FOLLOWS:
 - Part No.
 - Code No.
 - QTY
 - Lot No.

- NOTES
- 1 This is wire soldering type.
Please refer to the assembly manual, ETAD-E2699, for detail.
 - 2 Plating
 - under plating Nickel 2 μm min.
 - contact area Gold 0.75 μm min.
 - lead area Tin 1 μm min.

2	COPPER ALLOY	2	4	STAINLESS STEEL				
1	LCP-M	BLACK UL94V-0	3	COPPER ALLOY				
NO.	MATERIAL	FINISH . REMARKS	NO.	MATERIAL	FINISH . REMARKS			
UNITS	mm	SCALE	5 : 1	COUNT	DESCRIPTION OF REVISIONS	DESIGNED	CHECKED	DATE
APPROVED : NM. NISHIMATSU		15.10.27		DRAWING NO.		EDC-125857-31-00		
CHECKED : KN. ICHIKAWA		15.10.27		PART NO.		ZX40-B-5S-UNIT(31)		
DESIGNED : TS. ITO		15.10.27		CODE NO.		CL242-0002-4-31		
DRAWN : AK. AKIYAMA		15.10.27						

Fig - 2 SHIELDING-PLATE ASSEMBLY

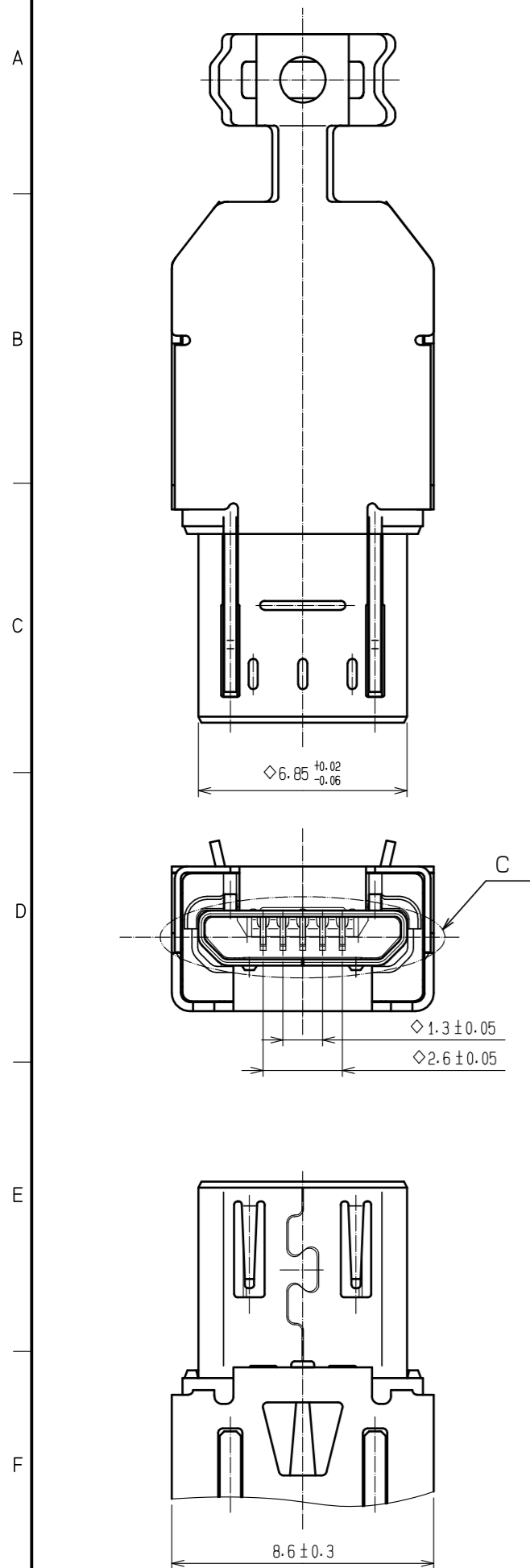
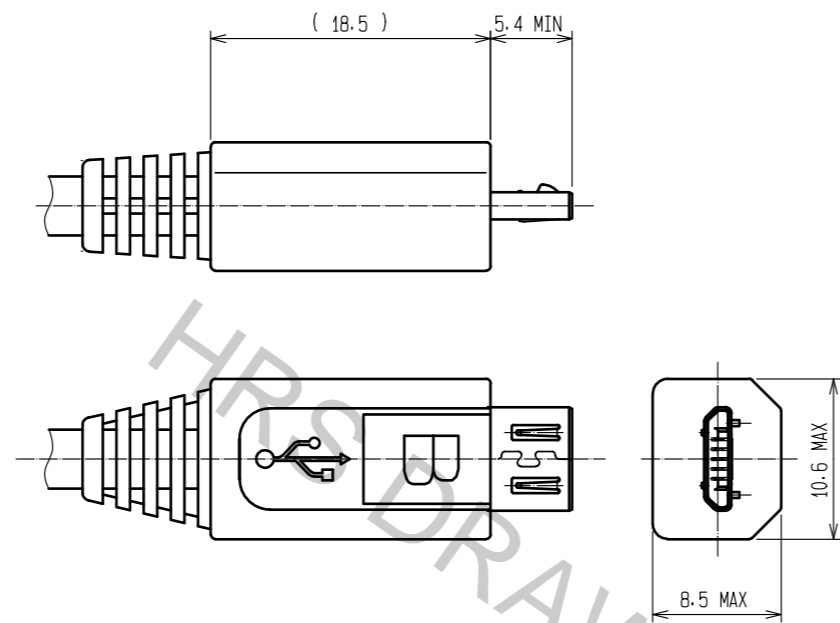
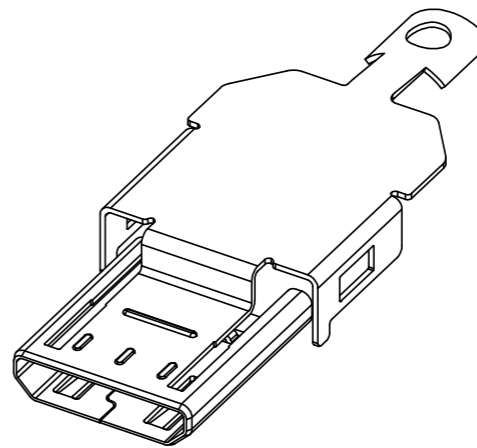


Fig - 3 OVER-MOLDING
(Refer to USB specification)

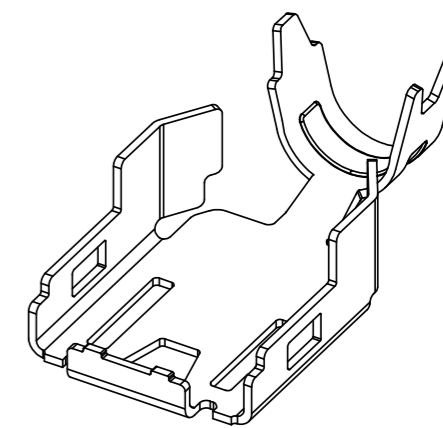


ZX40-B-SLDA
Code No. CL242-0003-7



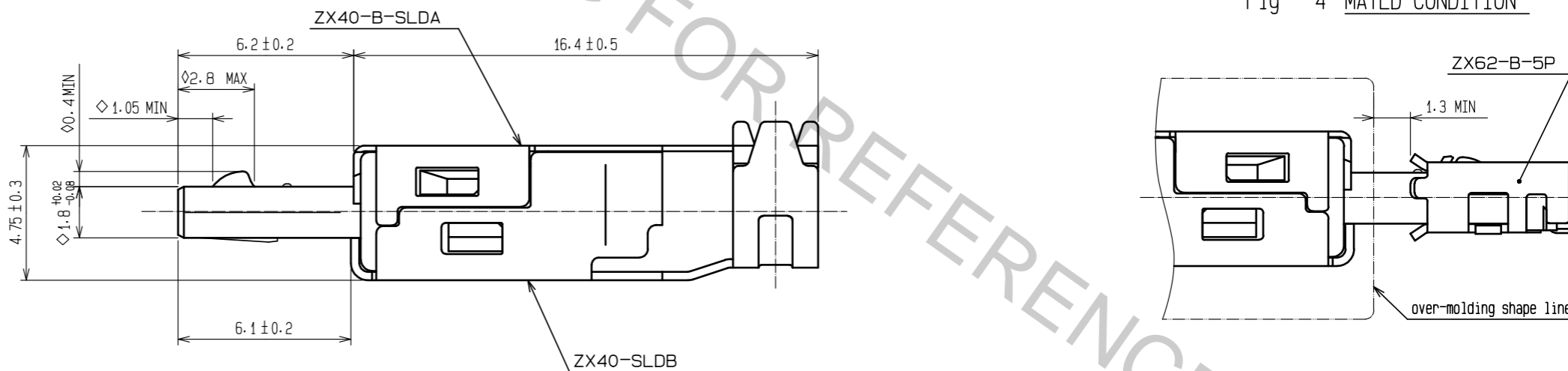
Note:
- Sold separately
- Delivered by the reel

ZX40-SLDB
Code No. CL242-0004-0



Note:
- Sold separately
- Delivered by the reel
- Applied to $\phi 3.8 \text{ mm}$ cable

Fig - 4 MATED CONDITION



NOTES 3 Shielding-plates, ZX40-B-SLDA and ZX40-SLDB, are used for assembly.
4 * \diamond *symbol added to each dimension means critical dimension on USB specification. Please check them after over-molding.

HRS	DRAWING NO.	EDC-125857-31-00	
	PART NO.	ZX40-B-5S-UNIT(31)	
	CODE NO.	CL242-0002-4-31	