

Installation Instructions

177 Series Fuse Base for Fuse Strips



Expertise Applied | Answers Delivered

Part Number: 177.5701.0001, 177.5731.0001, 177.5705.0001, 177.5721.0001, 177.5741.0001



General Specifications

Electrical: Voltage up to 80V
Current up to 425A

Subject

Littelfuse 177 series Fuse Strip Holders

| FUSE POSITIONS | PART NUMBER |
|----------------------|---------------|
| Single | 177.5701.0001 |
| Single | 177.5731.0001 |
| Single | 177.5705.0001 |
| Single (Base Potted) | 177.5721.0001 |
| Double | 177.5741.0001 |

Recommended fuses:

Littelfuse 157 Series 48 to 80V DC from 35A to 425A

| AMP | PART NUMBER |
|------|---------------|
| 35A | 157.5701.5351 |
| 50A | 157.5701.5501 |
| 63A | 157.5701.5631 |
| 100A | 157.5701.6101 |
| 160A | 157.5701.6161 |
| 200A | 157.5701.6201 |
| 250A | 157.5701.6251 |
| 355A | 157.5701.6351 |
| 425A | 157.5701.6421 |

Recommended Installation

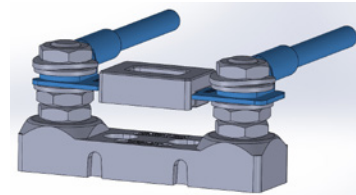
Caution: Long life reliability of the strip fuse & fuse holder assembly can be achieved by following the required Littelfuse assembling technique below. Failure to follow the steps below may cause damage to the assembly and void the product warranty.

Mount the fuse strip to the fuse holder and battery terminal in the following sequence:

1. Add the 2 bottom hexnuts (1 per side) to the base plastic holder and torque to 12 Nm.
2. Add the 2 flat washers (1 per side).
3. Add the fuse strip.
4. Add the 2 cable terminals (1 per side). Then confirm that the battery terminal area is in direct contact with the fuse strip area as shown in Figure 1 below.
5. Add the 2 flat washers (1 per side) .
6. Add the 2 spring washers (1 per side).
7. Add 2 hexnuts (1 per side) and torque to spec:
 - 35-63A: 5 Nm maximum torque
 - 80-100A: 8 Nm maximum torque
 - 125A-425A: 10 Nm maximum torque

Complete assembly shown in Figure 1 below. Step by step images shown in Figure 3 on page 2. Busbar installation shown in Figure 4 on Page 3.

Figure 1 - Recommended Installation



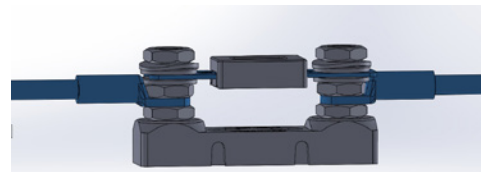
1. Cable terminal and fuse strip are in direct contact
2. The order of the fuse and cable terminal can be interchanged.

Alternate Installation

1. Add the 2 cable terminals (1 per side)
2. Add 2 hexnuts (1 per side) and torque to 12 Nm.
3. Add 2 flat washers (1 per side).
4. Add the fuse strip.
5. Add 2 flat washers (1 per side).
6. Add the 2 spring washers (1 per side).
7. Add 2 hexnuts (1 per side) and torque to spec:
 - 35-63A: 5 Nm maximum torque
 - 80-100A: 8 Nm maximum torque
 - 125A-425A: 10 Nm maximum torque

Complete assembly shown in Figure 2 below.

Figure 2 - Alternate Installation



1. Cable terminal and fuse strip do not directly contact.
2. Hexnuts and washers are separating the fuse strip and cable terminal from direct contact.
3. Not to be used with more than 250A fuses with 75% load when using the fuse holder with stainless steel components.

Installation Instructions

177 Series Fuse Base for Fuse Strips



Expertise Applied | Answers Delivered

Part Number: 177.5701.0001, 177.5731.0001, 177.5705.0001, 177.5721.0001, 177.5741.0001

Figure 3 - Step by Step Installation

| STEP | IMAGE | DETAILS | STEP | IMAGE | DETAILS |
|------|-------|--|------|-------|--|
| 1 | | <p>Add the 2 bottom hexnuts (1 per side) to the base plastic holder. Torque to 12 Nm.</p> <p>These nuts supplied factory tight. (Do not tighten)</p> | 4 | | <p>Add the 2 cable terminals (1 per side). Then confirm that the battery terminal area is in direct contact with the fuse strip area as shown in Figure 1.</p> |
| 2 | | <p>Add the 2 flat washers (1 per side).</p> | 5 | | <p>Add the 2 flat washers (1 per side).</p> |
| 3 | | <p>Add the fuse strip.</p> | 6 | | <p>Add the 2 spring washers (1 per side).</p> |
| | | | 7 | | <p>Add 2 hexnuts (1 per side) and torque to spec:</p> <ul style="list-style-type: none"> •35-63A: 5 Nm max. •80-100A: 8 Nm max. •125-425A: 10 Nm max. |

Specifications, descriptions and illustrative material in this literature are as accurate as known at the time of publication, but are subject to changes without notice. Visit littelfuse.com for the most up-to-date technical information.

Installation Instructions

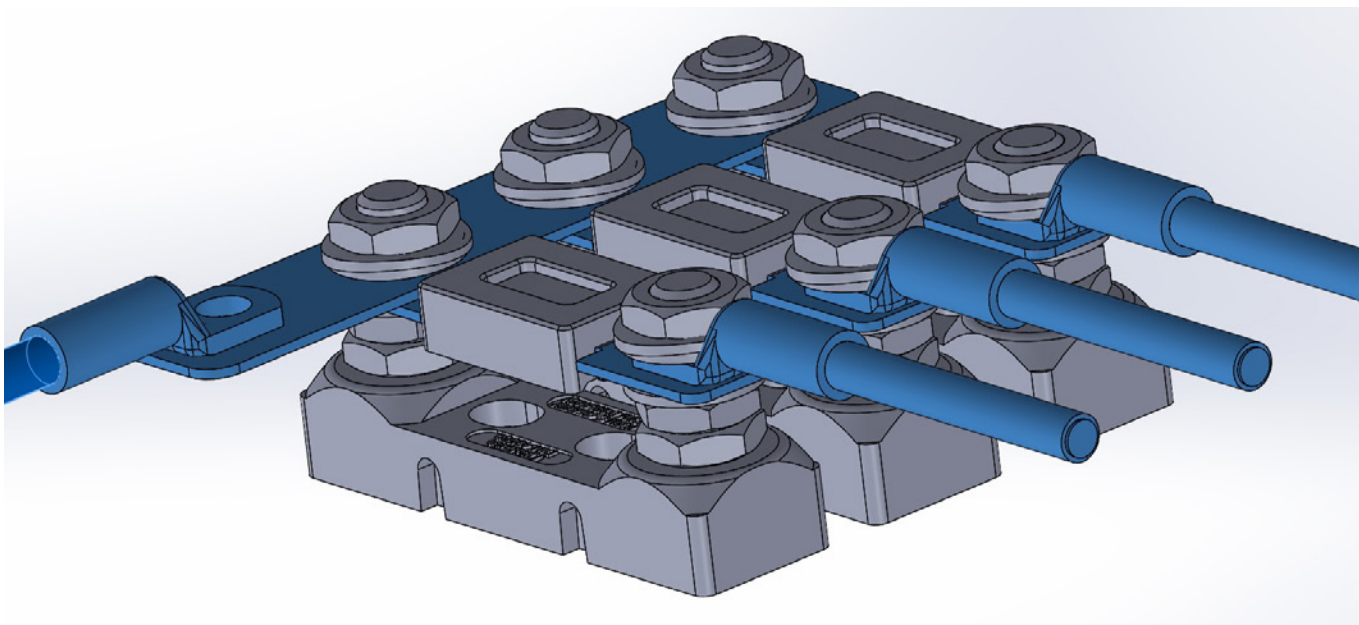
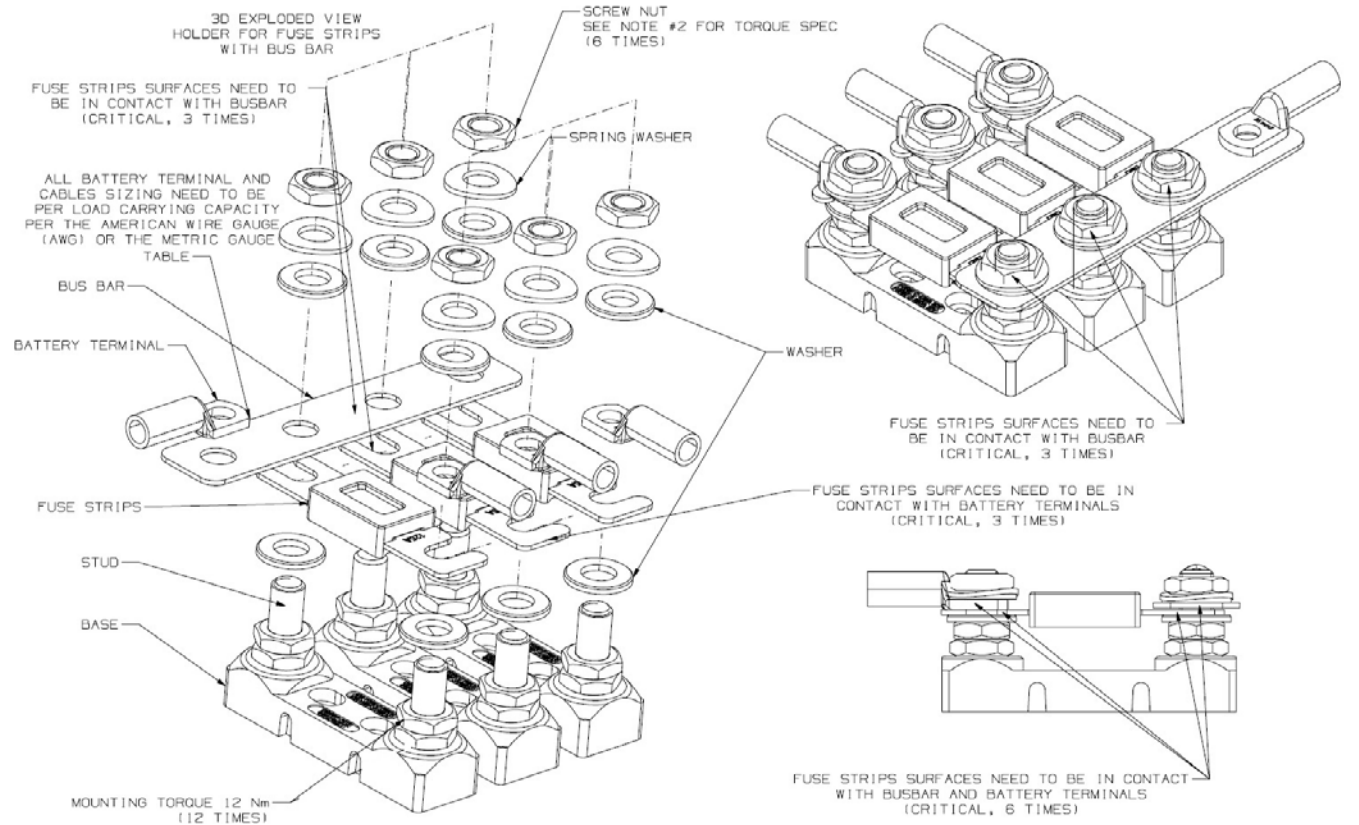
177 Series Fuse Base for Fuse Strips



Expertise Applied | Answers Delivered

Part Number: 177.5701.0001, 177.5731.0001, 177.5705.0001, 177.5721.0001, 177.5741.0001

Figure 4 - Recommended Installation for Busbar Configuration



Specifications, descriptions and illustrative material in this literature are as accurate as known at the time of publication, but are subject to changes without notice. Visit littelfuse.com for the most up-to-date technical information.