

LQG15HN5N6S02#

“#” indicates a package specification code.

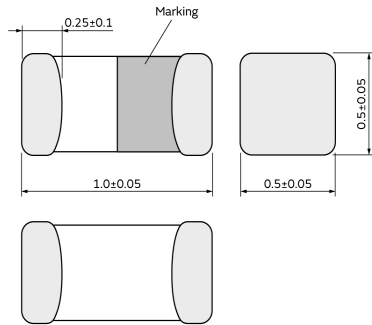
Size Code 1005 (0402) in mm (in inch), Multilayer Type



< List of part numbers with package codes >

LQG15HN5N6S02J LQG15HN5N6S02D LQG15HN5N6S02B

Appearance & Shape



References

Packaging	Specifications	Standard Packing Quantity
J	330mm Paper Tape	50000
D	180mm Paper Tape	10000
B	Bulk(Bag)	1000

Mass (typ.)	
1 piece	0.001g

Attention

1.This datasheet is downloaded from the website of Murata Manufacturing Co., Ltd. Therefore, it's specifications are subject to change or our products in it may be discontinued without advance notice. Please check with our sales representatives or product engineers before ordering.

2.This datasheet has only typical specifications because there is no space for detailed specifications.

Therefore, please review our product specifications or consult the approval sheet for product specifications before ordering.

LQG15HN5N6S02#

“#” indicates a package specification code.



Specifications

L size	1.0±0.05mm
W size	0.5±0.05mm
T size	0.5±0.05mm
Size code inch (mm)	0402 (1005)
Inductance	5.6nH±0.3nH
Inductance Test Frequency	100MHz
Rated current (Itemp) (Based on Temperature rise)	600mA
Max. of DC resistance	0.18Ω
Q(min.)	8
Q Test Frequency	100MHz
Self resonance frequency (min.)	5300MHz
Operating Temperature Range(Self-temperature rise is not included)	-55°C to 125°C
Series	LQG15HN_02

Attention

1.This datasheet is downloaded from the website of Murata Manufacturing Co., Ltd. Therefore, it's specifications are subject to change or our products in it may be discontinued without advance notice. Please check with our sales representatives or product engineers before ordering.

2.This datasheet has only typical specifications because there is no space for detailed specifications.

Therefore, please review our product specifications or consult the approval sheet for product specifications before ordering.

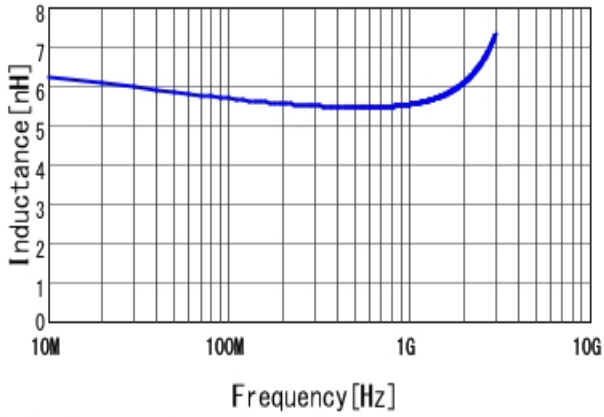
LQG15HN5N6S02#

“#” indicates a package specification code.

Characteristic Data

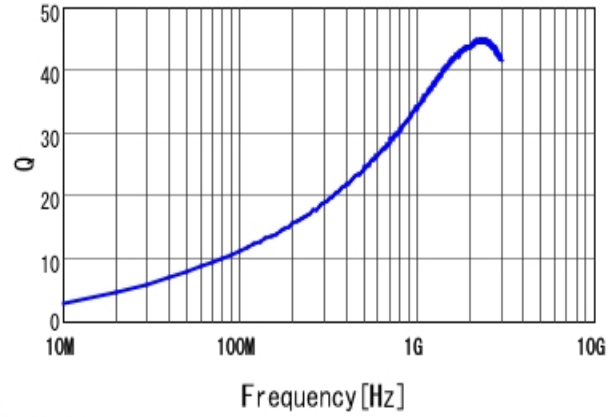
The charts below may show another part number which shares its characteristics.

Frequency Characteristic (L)



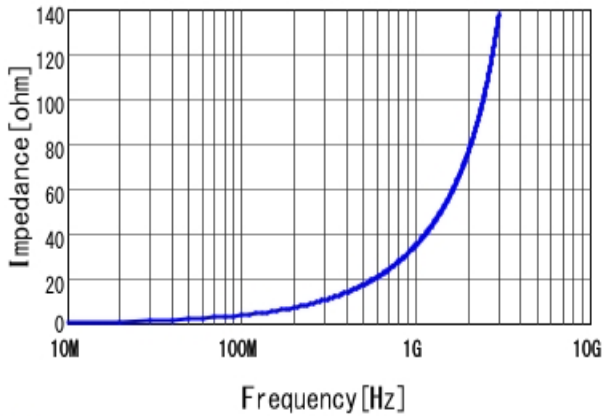
■ LQG15HN5N6S02 L

Frequency Characteristic (Q)



■ LQG15HN5N6S02 Q

Frequency Characteristic (Z)



■ LQG15HN5N6S02 |Z|

Attention

- 1.This datasheet is downloaded from the website of Murata Manufacturing Co., Ltd. Therefore, it's specifications are subject to change or our products in it may be discontinued without advance notice. Please check with our sales representatives or product engineers before ordering.
- 2.This datasheet has only typical specifications because there is no space for detailed specifications. Therefore, please review our product specifications or consult the approval sheet for product specifications before ordering.