

THIS DRAWING IS UNPUBLISHED.

RELEASED FOR PUBLICATION

MAY ,2011.

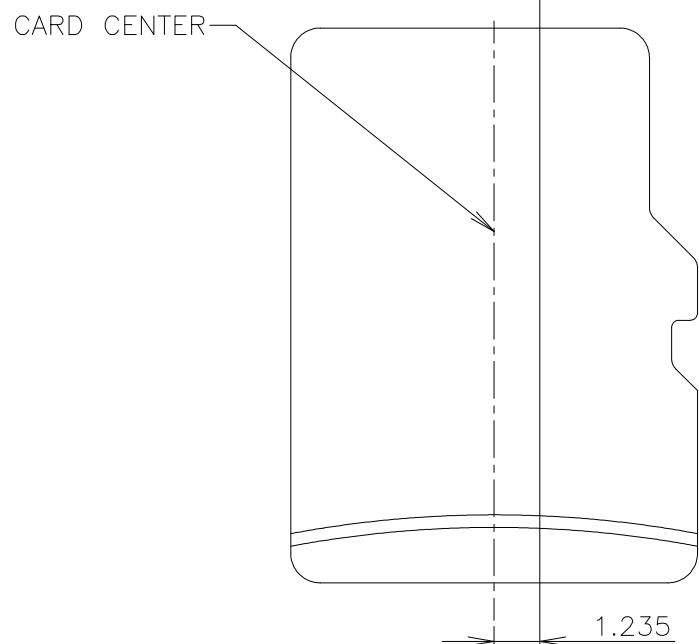
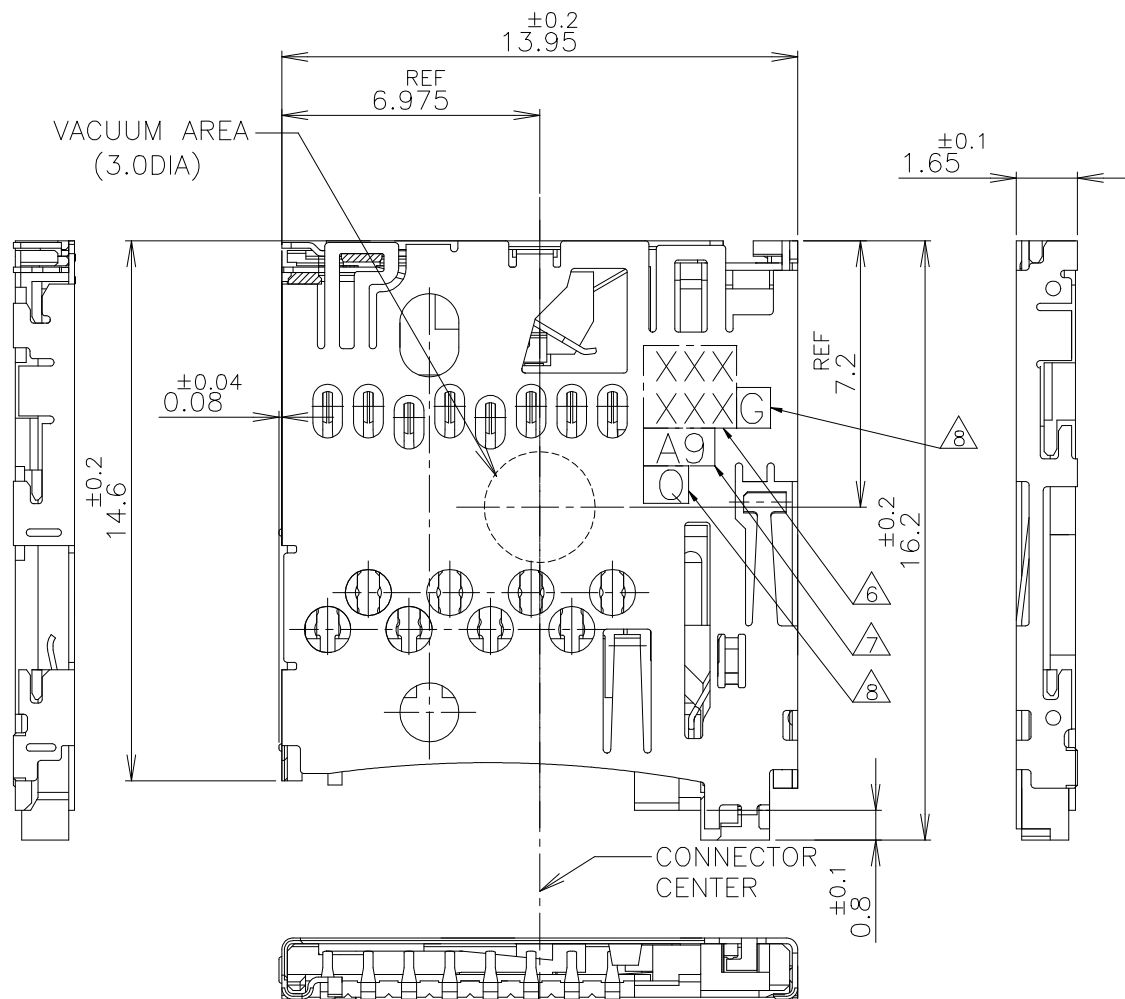
© COPYRIGHT 2011 By Tyco Electronics Japan G.K.

ALL RIGHTS RESERVED.

REVISIONS

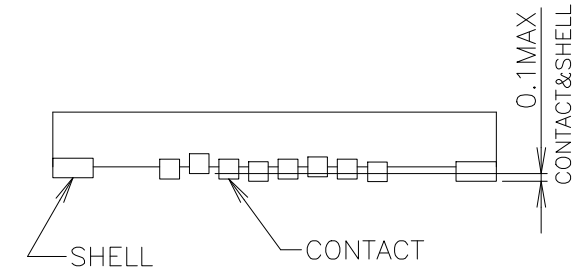
変更

P	LTR	DESCRIPTION	DATE	DWN	APVD
C		REVISED	09DEC2019	N.U	K.K



AS SHOWN 2201778-1

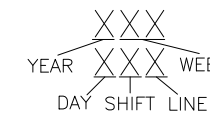
- 1.材料 ハウジング、スライダ：熱可塑性樹脂 UL 94-V 色：黒
 コントクト：銅合金
 シェル：銅合金
 コイル：SWP
 カムロッド：SUS
 フックスプリング：SUS
- 2 仕上げ コントクト：Ni下地めっき
 接点部：金めっき
 シェル：Ni下地めっき
 金めっき



- ③ 非累積公差
- 4. コプラナリティは 0.1mm以下
- ⑤ スイッチ回路図
- ⑥ デートコードマーキングすること。吸着エリアφ4にはマーキングしないこと。
- ⑦ バージョンマーキングすること。吸着エリアφ4にはマーキングしないこと。
- ⑧ 生産場所コード：“G”：GUANGDONG, “Q”：QINGDAO.

- 1.MATERIAL HOUSING,SLIDER : THERMOPLASTIC RESIN
 UL94V-0, COLOR;BLACK
 CONTACT : COPPER ALLOY
 SHELL : COPPER ALLOY
 COIL : SWP
 CAM ROD : SUS
 HOOK SPRING : SUS
- 2 FINISH CONTACT : Ni UNDER PL
 Au PL AT CONTACT AREA
 SHELL : Ni UNDER PL
 Au PL

- ③ NON-CUMULATIVE TOLERANCE
- 4. COPLANARITY IS 0.1MAX.
- ⑤ CIRCUIT DRAWING OF SWITCH.
- ⑥ MARK DATE CODE. MUST NOT MARK AT VACUUM AREA φ4.
- ⑦ MARK VERSION. MUST NOT MARK AT VACUUM AREA φ4.
 (MASS PRO) AX (PROTO) P1→P2→PX
- ⑧ PRODUCTION LOCATION CODE: “G” FOR GUANGDONG, “Q” FOR QINGDAO.



THIS DRAWING IS A CONTROLLED DOCUMENT.		DWN	Y.KUDO	21MAY2012	 TE Connectivity Ltd.												
DIMENSIONS: 単位： 耗 MM		CHK	K.KOBAYASHI	21MAY2012													
TOLERANCES UNLESS OTHERWISE SPECIFIED: 一般公差		APVD	T.KUSUHARA	21MAY2012													
<table border="1"> <tr><td>0 PLC</td><td>± 0.3</td></tr> <tr><td>1 PLC</td><td>± 0.3</td></tr> <tr><td>2 PLC</td><td>± 0.3</td></tr> <tr><td>3 PLC</td><td>± 0.3</td></tr> <tr><td>4 PLC</td><td>± 0.3</td></tr> <tr><td>ANGLES</td><td>± 1°</td></tr> </table>		0 PLC	± 0.3	1 PLC	± 0.3	2 PLC	± 0.3	3 PLC	± 0.3	4 PLC	± 0.3	ANGLES	± 1°	NAME	T.KUSUHARA		MICRO SD PUSH PUSH LOW PROFILE TYPE
0 PLC	± 0.3																
1 PLC	± 0.3																
2 PLC	± 0.3																
3 PLC	± 0.3																
4 PLC	± 0.3																
ANGLES	± 1°																
		PRODUCT SPEC	108-78951														
MATERIAL 材料		APPLICATION SPEC	取付適用規格		RESTRICTED TO												
WITH MYLAR	2201778-2	WEIGHT	0.45g		SIZE A3 CAGE CODE 00779 DRAWING NO 番号 G=2201778												
WITHOUT MYLAR	2201778-1	CUSTOMER DRAWING				SCALE 5:1											
DESCRIPRION	PART NUMBER	FINISH 仕上			SHEET 1 of 5												
					REV C												

THIS DRAWING IS UNPUBLISHED.

RELEASED FOR PUBLICATION

MAY ,2011.

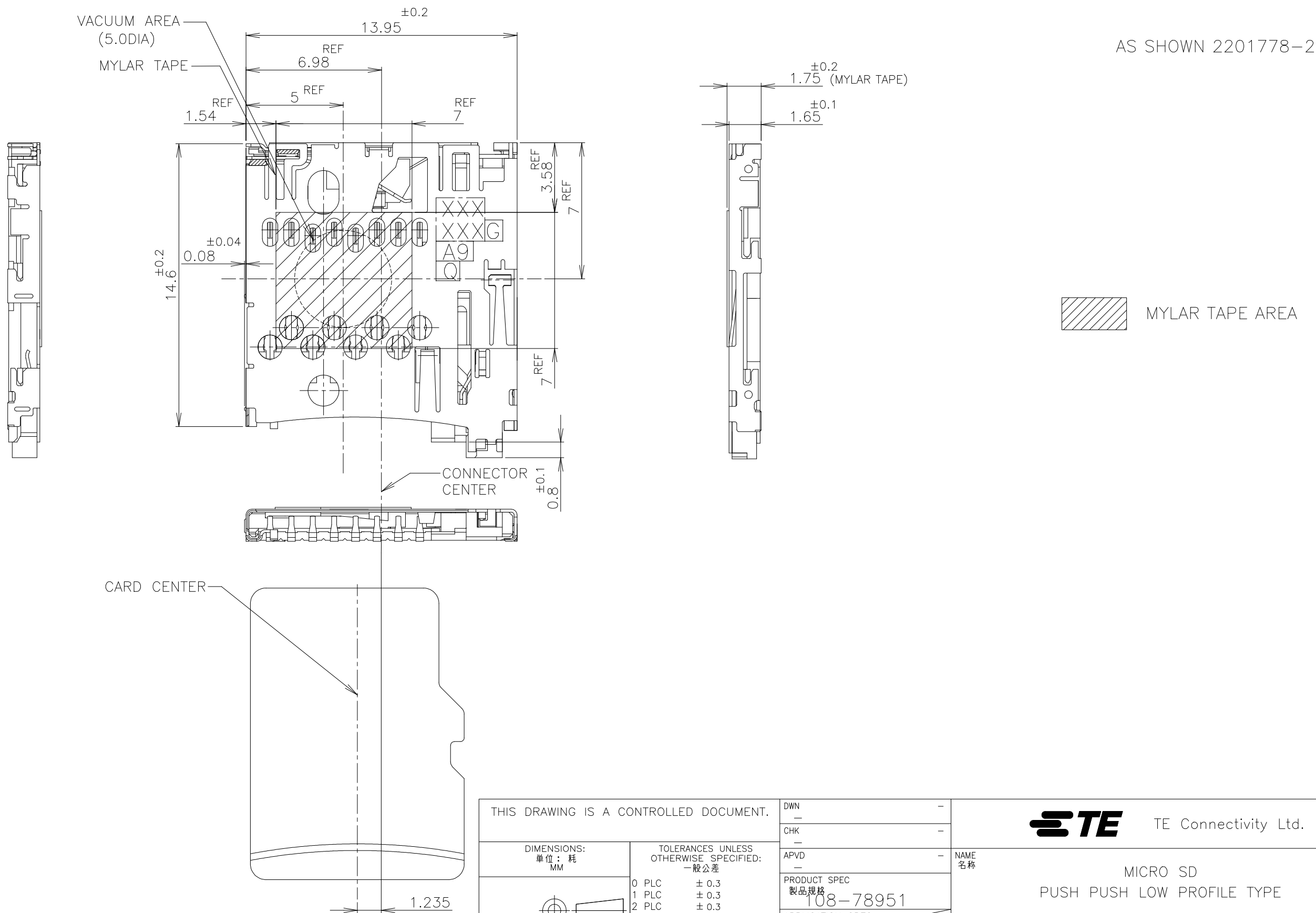
© COPYRIGHT 2011 By Tyco Electronics Japan G.K.

ALL RIGHTS RESERVED.

REVISIONS

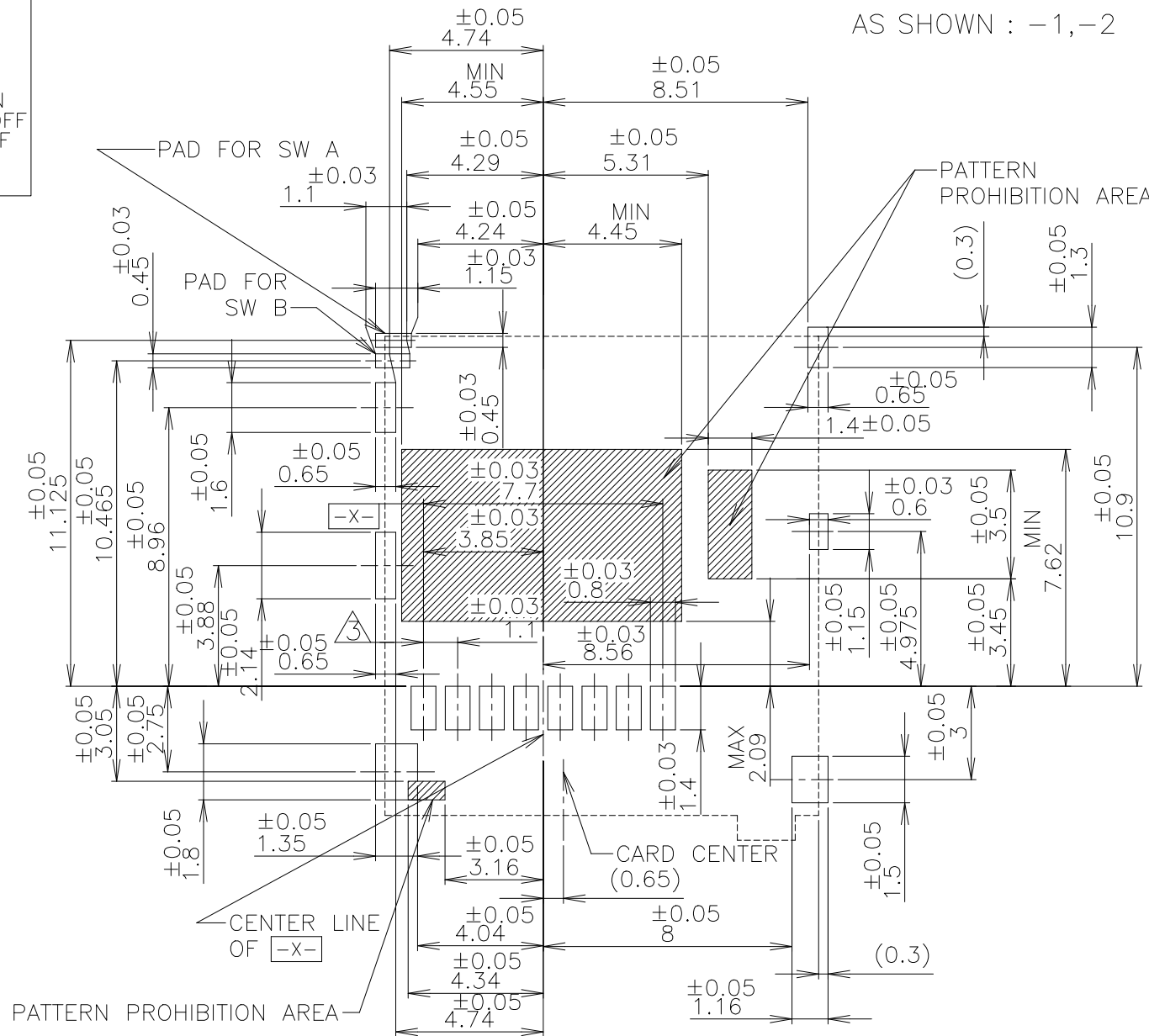
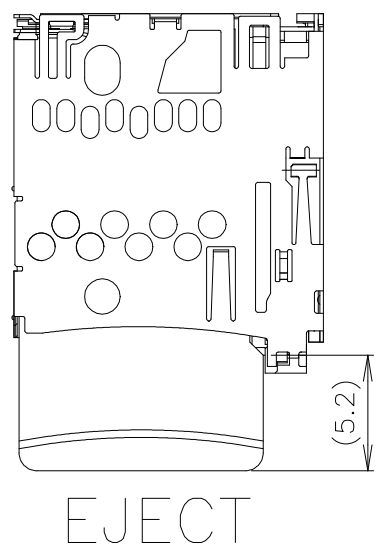
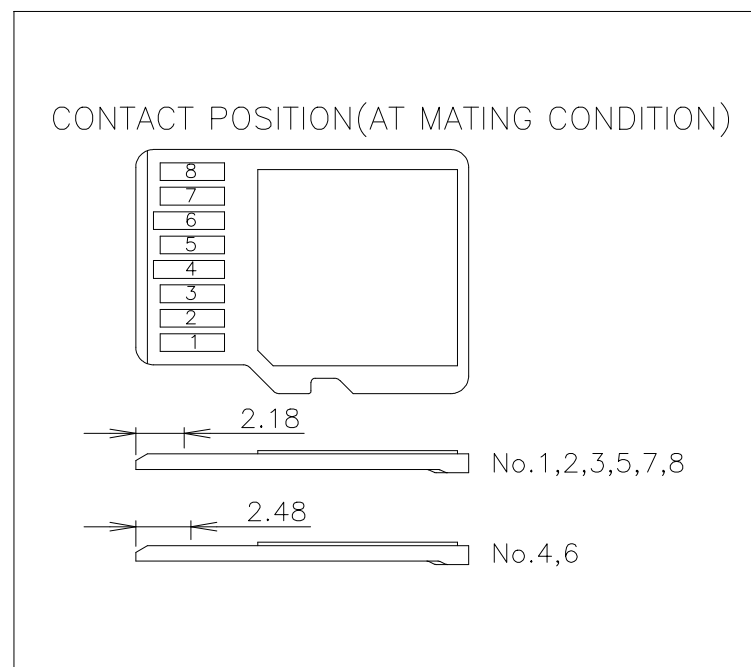
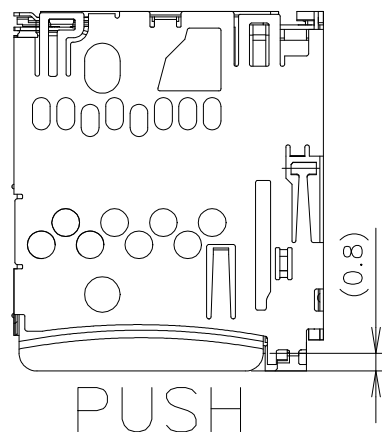
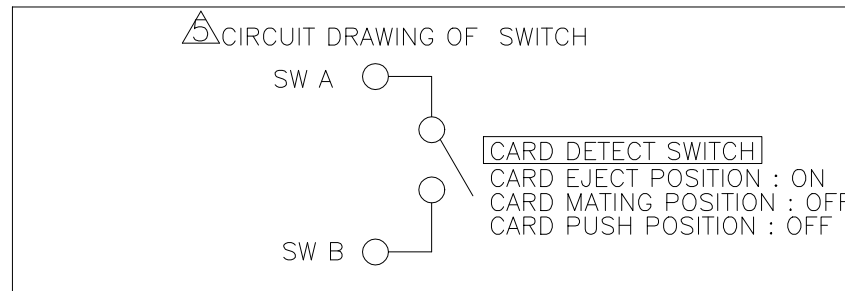
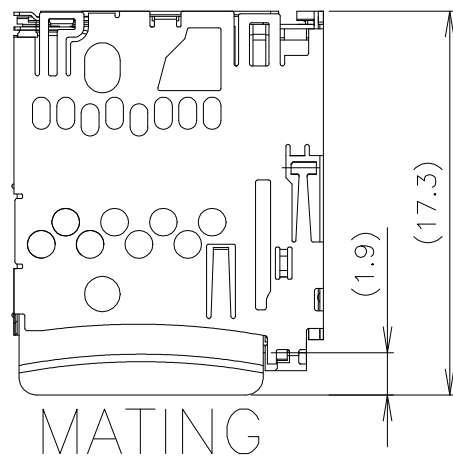
変更

P	LTR	DESCRIPTION	DATE	DWN	APVD
-	-	SEE SHEET 1	-	-	-



THIS DRAWING IS A CONTROLLED DOCUMENT.		DWN	-	STE TE Connectivity Ltd.	
DIMENSIONS: 単位: 耗 MM		CHK	-		
TOLERANCES UNLESS OTHERWISE SPECIFIED: 一般公差		APVD	-	NAME 名称	
0 PLC ± 0.3 1 PLC ± 0.3 2 PLC ± 0.3 3 PLC ± 0.3 4 PLC ± 0.3 ANGLES ± 1°		PRODUCT SPEC 製品規格 108-78951		MICRO SD PUSH PUSH LOW PROFILE TYPE	
MATERIAL 材料		FINISH 仕上		SIZE	RESTRICTED TO
		APPLICATION SPEC 取付適用規格		CAGE CODE	00779
		WEIGHT		DRAWING NO 番号	G-2201778
		CUSTOMER DRAWING		SCALE 尺度	5:1
				SHEET	2 of 5
				REV	C

P	LTR	DESCRIPTION	DATE	DWN	APVD
-	-	SEE SHEET 1	-	-	-



PCB LAYOUT(REFERENCE)
 (VIEWED FROM CONNECTOR MOUNT SIDE)

THIS DRAWING IS A CONTROLLED DOCUMENT.		DWN	TE Connectivity Ltd.		
DIMENSIONS: 単位: 耗 MM		CHK	NAME 名称		
TOLERANCES UNLESS OTHERWISE SPECIFIED: 一般公差		APVD	MICRO SD PUSH PUSH LOW PROFILE TYPE		
0 PLC ± 0.3		PRODUCT SPEC 製品規格	SIZE	CAGE CODE	DRAWING NO 番号
1 PLC ± 0.3		APPLICATION SPEC 取付適用規格	A3	00779	C=2201778
2 PLC ± 0.3		WEIGHT	RESTRICTED TO		
3 PLC ± 0.3		CUSTOMER DRAWING	-		
4 PLC ± 0.3		SCALE 尺度	5:1	SHEET 3 of 5	REV C
ANGLES ± 1°					
MATERIAL 材料					
FINISH 仕上					

THIS DRAWING IS UNPUBLISHED.

RELEASED FOR PUBLICATION

MAY ,2005.

© COPYRIGHT 2005 By Tyco Electronics Japan G.K.

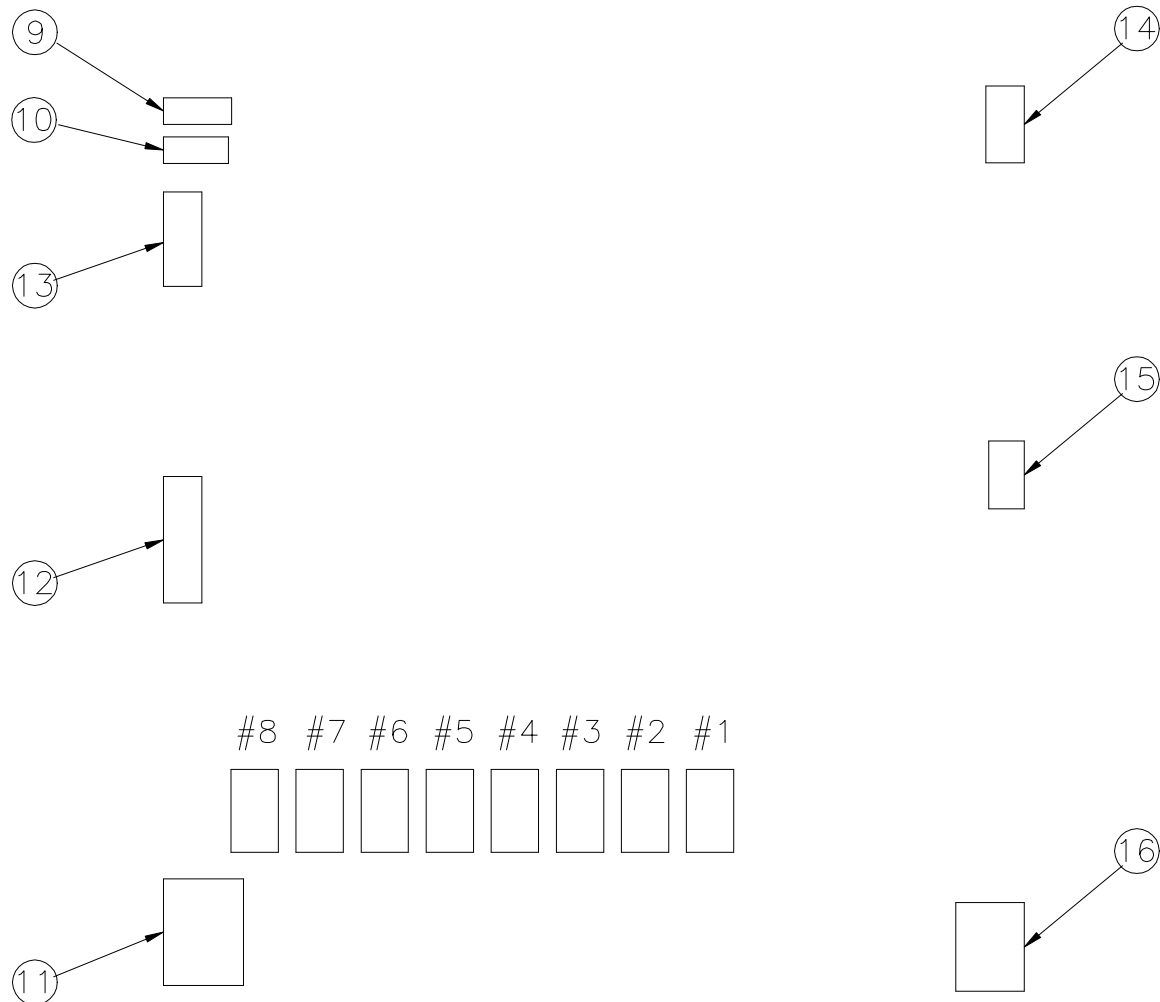
ALL RIGHTS RESERVED.

REVISIONS

変更

P	LTR	DESCRIPTION	DATE	DWN	APVD
-	-	SEE SHEET 1	-	-	-

AS SHOWN : -1,-2



PIN#	SD MODE			SPI MODE		
	NAME	TYPE	DESCRIPTION	NAME	TYPE	DESCRIPTION
1	DAT2	I/O	DATA LINE[BIT 2]	RSV		
2	CD/DAT3	I/O	CARD DETECT/ DATA LINE[BIT 3]	CS	I	CHIP SELECT(NEG TRUE)
3	CMD	I/O	COMMAND/RESPONSE	DI	I	DATA IN
4	V _{DD}	S	SUPPLY VOLTAGE	V _{DD}	S	SUPPLY VOLTAGE
5	CLK	I	CLOCK	SCLK	I	CLOCK
6	V _{SS}	S	SUPPLY VOLTAGE GROUND	V _{SS}	S	SUPPLY VOLTAGE GROUND
7	DAT0	I/O	DATA LINE[BIT 0]	DO	O	DATA OUT
8	DAT1	I/O	DATA LINE[BIT 1]	RSV		

NO.	PIN NAME	DESCRIPTION
⑨	SWA	DETECT SWITCH
⑩	SWB	DETECT SWITCH
⑪ ~ ⑯	GND	SHELL GROUND

THIS DRAWING IS A CONTROLLED DOCUMENT.		DWN	TE Connectivity Ltd.		
DIMENSIONS: 単位: 耗 MM		CHK	NAME 名称		
TOLERANCES UNLESS OTHERWISE SPECIFIED: 一般公差		APVD	MICRO SD PUSH PUSH LOW PROFILE TYPE		
0 PLC ± 0.3 1 PLC ± 0.3 2 PLC ± 0.3 3 PLC ± 0.3 4 PLC ± 0.3 ANGLES ± 1°		PRODUCT SPEC 製品規格		SIZE	CAGE CODE
MATERIAL 材料		APPLICATION SPEC 取付適用規格		A3	00779
FINISH 仕上		WEIGHT		DRAWING NO 番号 C-2201778	
CUSTOMER DRAWING			RESTRICTED TO	SCALE 尺度 8:1	SHEET 4 of 5
				REV C	

4

3

2

1

THIS DRAWING IS UNPUBLISHED.

RELEASED FOR PUBLICATION

MAY ,2005.

© COPYRIGHT 2005 By Tyco Electronics Japan G.K.

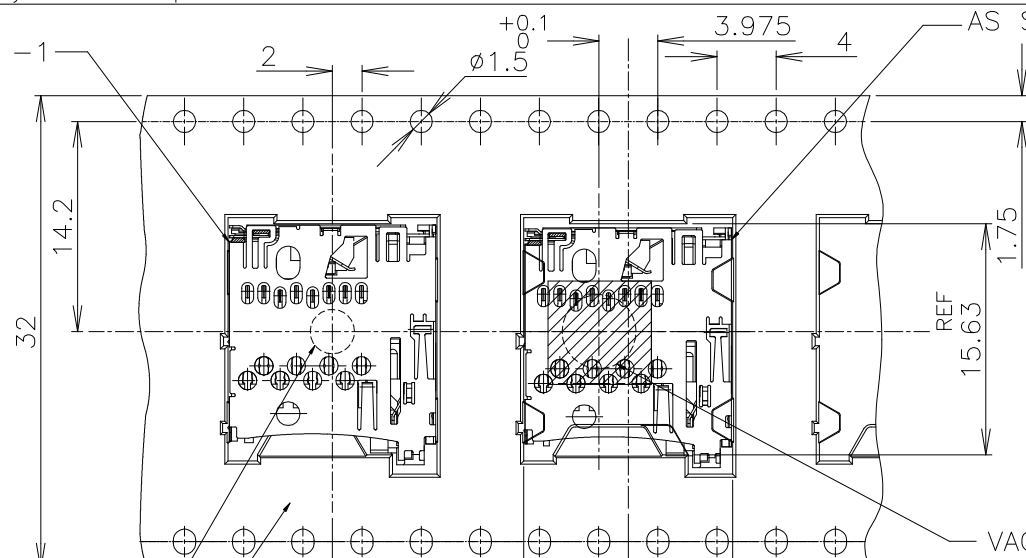
ALL RIGHTS RESERVED.

REVISIONS

変更

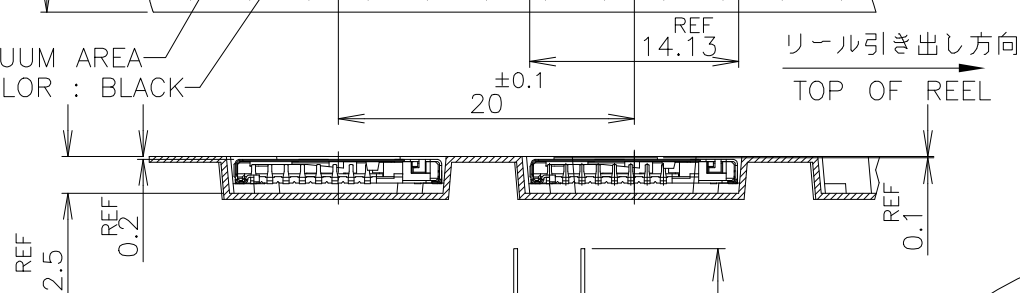
P	LTR	DESCRIPTION	DATE	DWN	APVD
-	-	SEE SHEET 1	-	-	-

AS SHOWN : -1



AS SHOWN : -1,-2

VACUUM AREA
COLOR : BLACK



VACUUM AREA

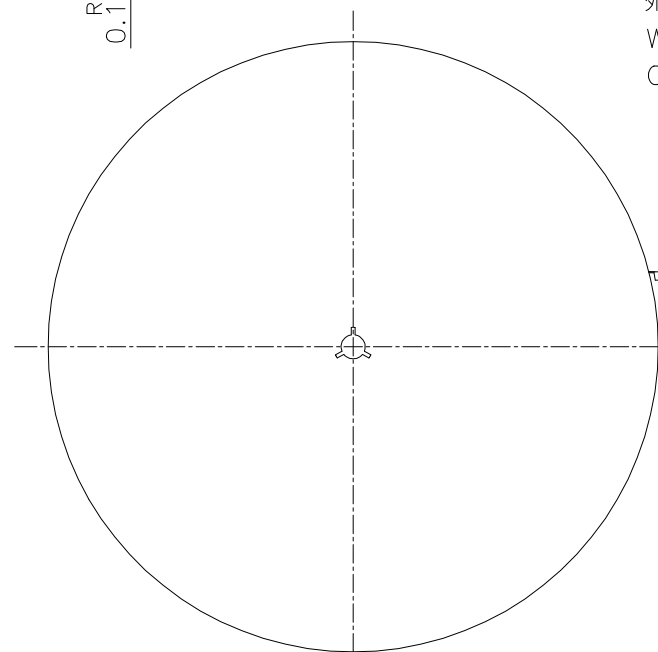
リール引き出し方向

TOP OF REEL

カバーテープリーダー部
外周1巻
WIDE COVER TAPE AROUND
OUT PERIPHERY 1 TURN

剥離強度 0.1-1.3N MAX(300±10mm/min)
PEELING STRENGTH
剥離角度 165~180°
PEELING ANGLE

引き出し方向
TOP OF REEL



1000個/リール
1000EA/REEL

HOLES
8穴

空部
WITHOUT CHARGE

製品装填部
WITH PRODUCT CHARGE

空部
WITHOUT CHARGE

300mm程度
APPROX

600mm程度
APPROX

THIS DRAWING IS A CONTROLLED DOCUMENT.

DWN

CHK

APVD

PRODUCT SPEC
製品規格

APPLICATION SPEC
取付適用規格

WEIGHT

CUSTOMER DRAWING

STE TE Connectivity Ltd.

NAME
名称
MICRO SD
PUSH PUSH LOW PROFILE TYPE

SIZE
A3
CAGE CODE
00779
DRAWING NO
番号
C=2201778

RESTRICTED TO

SCALE
尺度 2:1
SHEET
5 of 5
REV
C

DIMENSIONS:
単位: 耗
MM

TOLERANCES UNLESS
OTHERWISE SPECIFIED:
一般公差

- 0 PLC ± 0.3
- 1 PLC ± 0.3
- 2 PLC ± 0.3
- 3 PLC ± 0.3
- 4 PLC ± 0.3
- ANGLES ± 1°

MATERIAL
材料

FINISH
仕上