

THIS DRAWING IS UNPUBLISHED.

RELEASED FOR PUBLICATION

MAY ,2011.

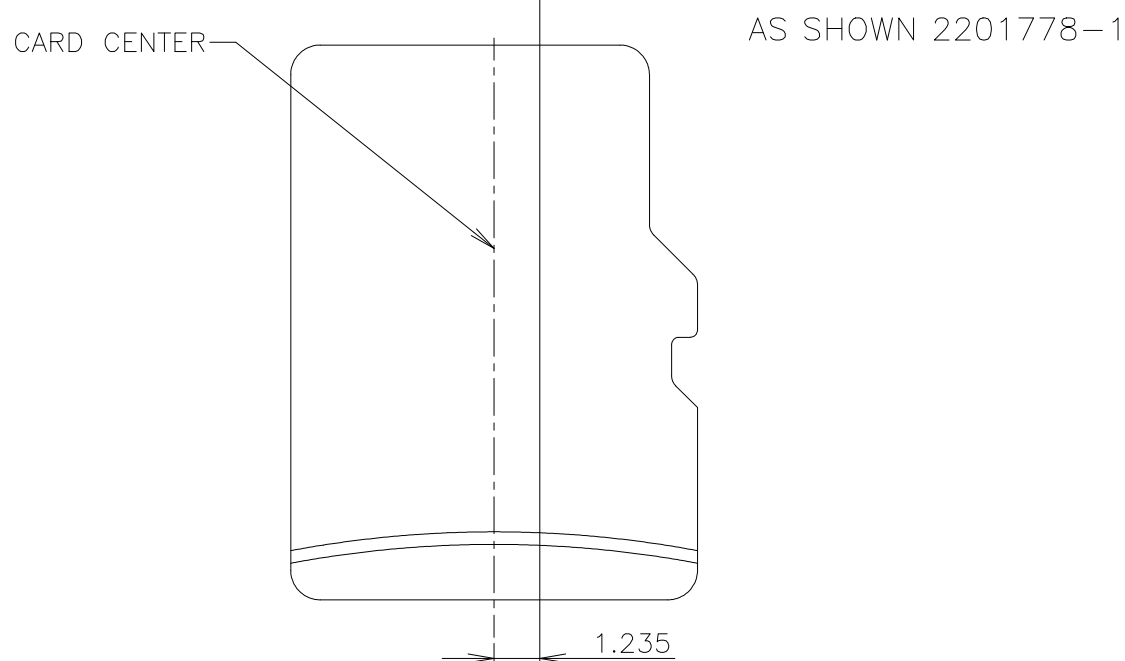
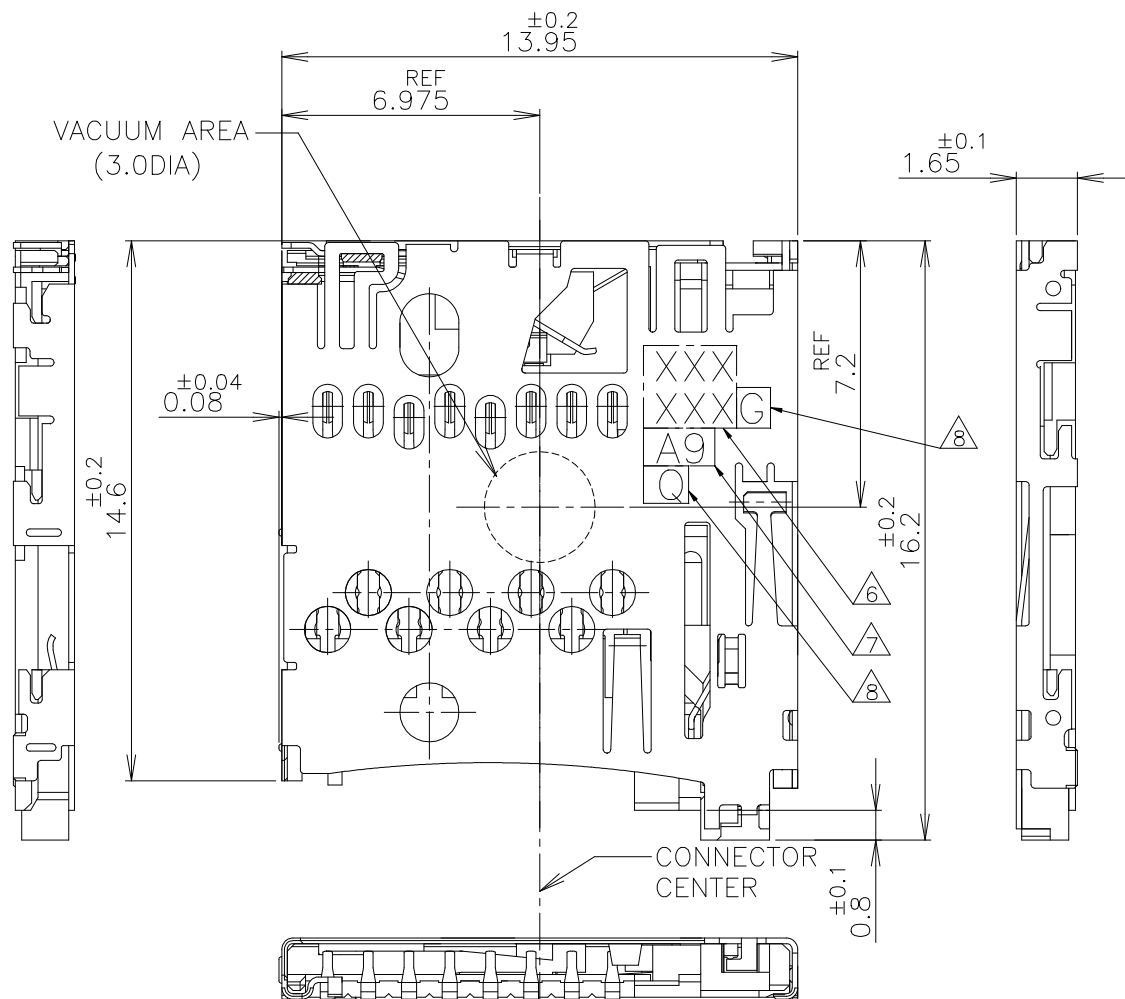
© COPYRIGHT 2011 By Tyco Electronics Japan G.K.

ALL RIGHTS RESERVED.

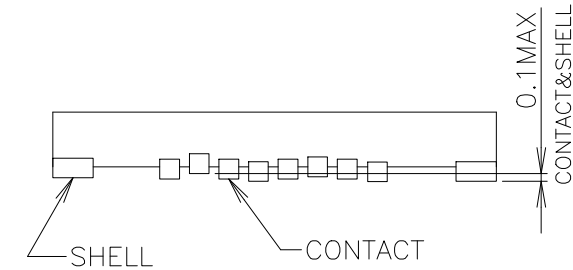
REVISIONS

変更

P	LTR	DESCRIPTION	DATE	DWN	APVD
C		REVISED	09DEC2019	N.U	K.K



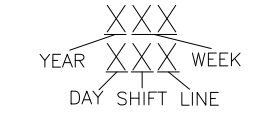
- 1.材料 ハウジング、スライダ：熱可塑性樹脂 UL 94-V 色：黒  
 コントクト：銅合金  
 シェル：銅合金  
 コイル：SWP  
 カムロッド：SUS  
 フックスプリング：SUS
- 2 仕上げ コントクト：Ni下地めっき  
 接点部：金めっき  
 シェル：Ni下地めっき  
 金めっき



- ③ 非累積公差
- 4. コプラナリティは 0.1mm以下
- ⑤ スイッチ回路図
- ⑥ デートコードマーキングすること。吸着エリアφ4にはマーキングしないこと。
- ⑦ バージョンマーキングすること。吸着エリアφ4にはマーキングしないこと。
- ⑧ 生産場所コード：“G”：GUANGDONG, “Q”：QINGDAO.

- 1.MATERIAL HOUSING,SLIDER : THERMOPLASTIC RESIN  
 UL94V-0, COLOR;BLACK  
 CONTACT : COPPER ALLOY  
 SHELL : COPPER ALLOY  
 COIL : SWP  
 CAM ROD : SUS  
 HOOK SPRING : SUS
- 2 FINISH CONTACT : Ni UNDER PL  
 Au PL AT CONTACT AREA  
 SHELL : Ni UNDER PL  
 Au PL

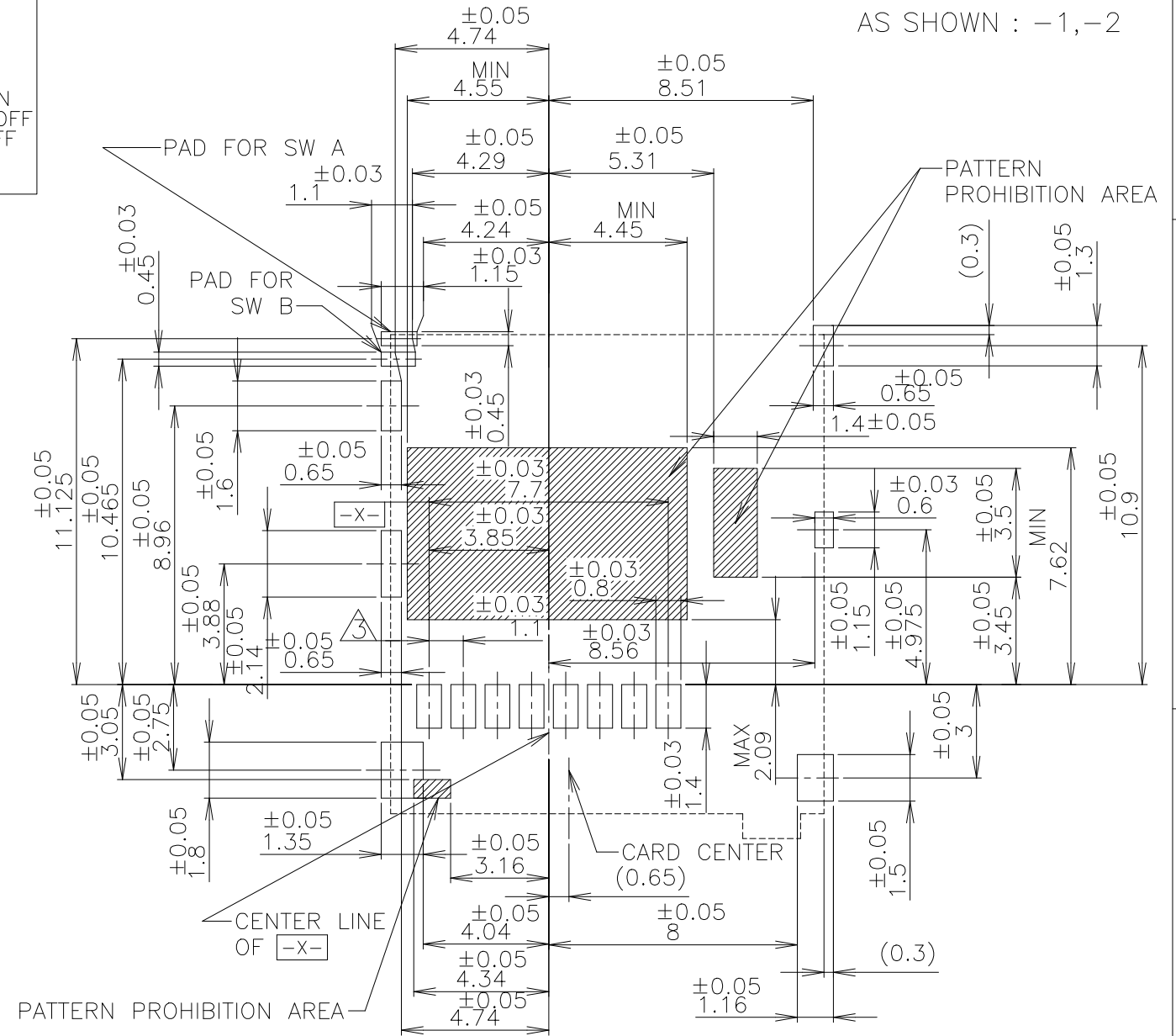
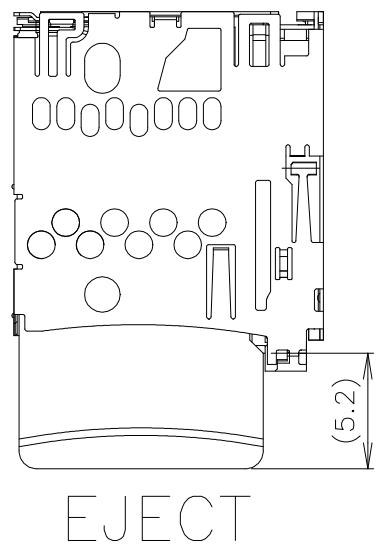
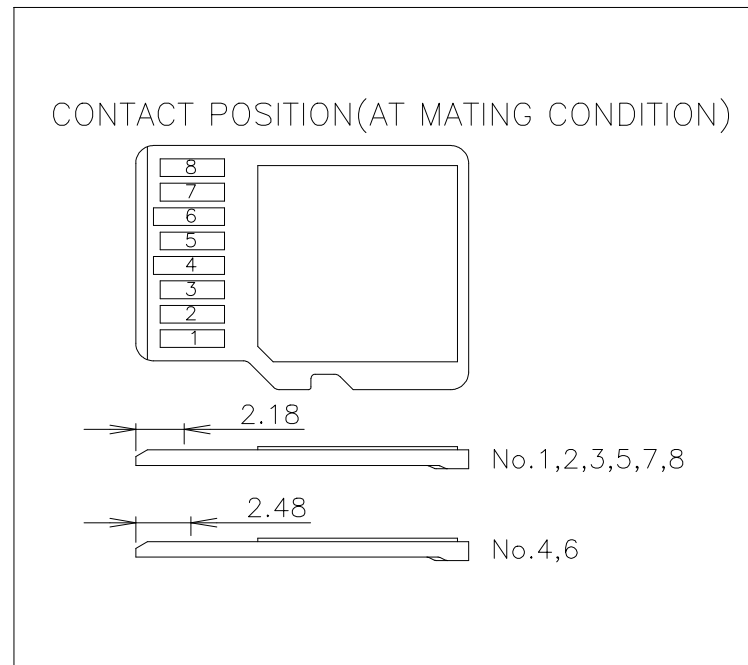
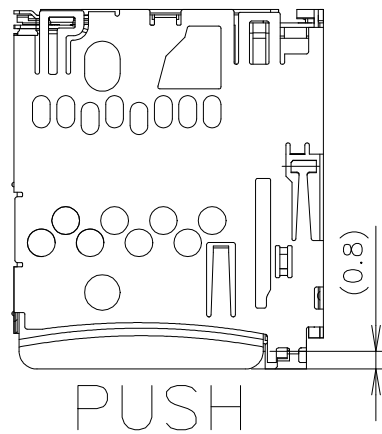
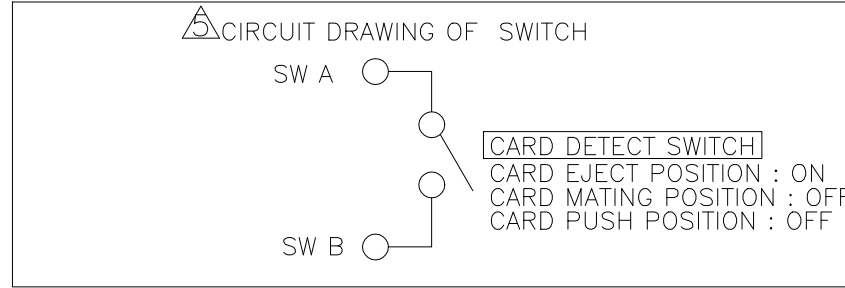
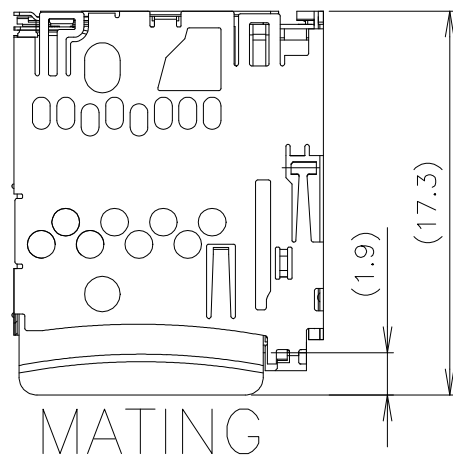
- ③ NON-CUMULATIVE TOLERANCE
- 4. COPLANARITY IS 0.1MAX.
- ⑤ CIRCUIT DRAWING OF SWITCH.
- ⑥ MARK DATE CODE. MUST NOT MARK AT VACUUM AREA φ4.
- ⑦ MARK VERSION. MUST NOT MARK AT VACUUM AREA φ4.  
 (MASS PRO) AX (PROTO) P1→P2→PX
- ⑧ PRODUCTION LOCATION CODE: “G” FOR GUANGDONG, “Q” FOR QINGDAO.



THIS DRAWING IS A CONTROLLED DOCUMENT.		DWN	21MAY2012	<b>STE</b> TE Connectivity Ltd.	
		CHK	21MAY2012		
DIMENSIONS: 単位： 耗 MM		TOLERANCES UNLESS OTHERWISE SPECIFIED: 一般公差		NAME 名称	
		0 PLC ± 0.3		T.KUSUHARA	
		1 PLC ± 0.3		PRODUCT SPEC 製品規格	
		2 PLC ± 0.3		108-78951	
		3 PLC ± 0.3		APPLICATION SPEC 取付適用規格	
		4 PLC ± 0.3		WEIGHT 0.45g	
		ANGLES ± 1°		SIZE A3	
WITH MYLAR 2201778-2		MATERIAL 材料		CAGE CODE 00779	
WITHOUT MYLAR 2201778-1		FINISH 仕上		DRAWING NO 番号 G=2201778	
DESCRIPRION PART NUMBER		CUSTOMER DRAWING		RESTRICTED TO	
				SCALE 尺度 5:1	
				SHEET 1 of 5	
				REV C	



P	LTR	DESCRIPTION	DATE	DWN	APVD
-	-	SEE SHEET 1	-	-	-



PCB LAYOUT(REFERENCE)  
 (VIEWED FROM CONNECTOR MOUNT SIDE)

THIS DRAWING IS A CONTROLLED DOCUMENT.		DWN	TE Connectivity Ltd.		
DIMENSIONS: 単位： 耗 MM		CHK	NAME 名称		
TOLERANCES UNLESS OTHERWISE SPECIFIED: 一般公差		APVD	MICRO SD PUSH PUSH LOW PROFILE TYPE		
0 PLC ± 0.3		PRODUCT SPEC 製品規格	SIZE	CAGE CODE	DRAWING NO 番号
1 PLC ± 0.3		APPLICATION SPEC 取付適用規格	A3	00779	C=2201778
2 PLC ± 0.3		WEIGHT	RESTRICTED TO		
3 PLC ± 0.3		CUSTOMER DRAWING	-		
4 PLC ± 0.3			SCALE 尺度	SHEET	REV
ANGLES ± 1°			5:1	3 of 5	C
MATERIAL 材料	FINISH 仕上				

THIS DRAWING IS UNPUBLISHED.

RELEASED FOR PUBLICATION

MAY ,2005.

© COPYRIGHT 2005 By Tyco Electronics Japan G.K.

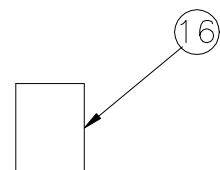
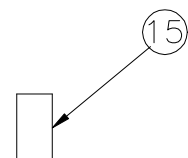
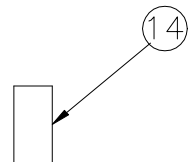
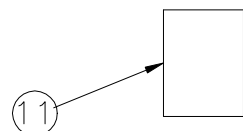
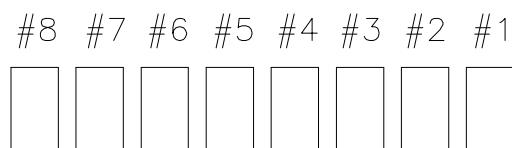
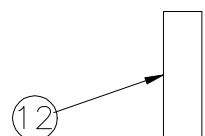
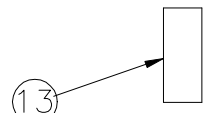
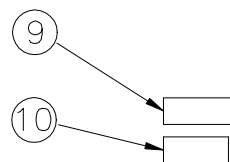
ALL RIGHTS RESERVED.

REVISIONS

変更

P	LTR	DESCRIPTION	DATE	DWN	APVD
-	-	SEE SHEET 1	-	-	-

AS SHOWN : -1,-2



PIN ASSIGNMENT

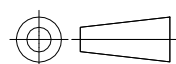
PIN#	SD MODE			SPI MODE		
	NAME	TYPE	DESCRIPTION	NAME	TYPE	DESCRIPTION
1	DAT2	I/O	DATA LINE[BIT 2]	RSV		
2	CD/DAT3	I/O	CARD DETECT/ DATA LINE[BIT 3]	CS	I	CHIP SELECT(NEG TRUE)
3	CMD	I/O	COMMAND/RESPONSE	DI	I	DATA IN
4	V <sub>DD</sub>	S	SUPPLY VOLTAGE	V <sub>DD</sub>	S	SUPPLY VOLTAGE
5	CLK	I	CLOCK	SCLK	I	CLOCK
6	V <sub>SS</sub>	S	SUPPLY VOLTAGE GROUND	V <sub>SS</sub>	S	SUPPLY VOLTAGE GROUND
7	DAT0	I/O	DATA LINE[BIT 0]	DO	O	DATA OUT
8	DAT1	I/O	DATA LINE[BIT 1]	RSV		

PIN ASSIGNMENT

NO.	PIN NAME	DESCRIPTION
⑨	SWA	DETECT SWITCH
⑩	SWB	DETECT SWITCH
⑪ ~ ⑯	GND	SHELL GROUND

THIS DRAWING IS A CONTROLLED DOCUMENT.

DIMENSIONS:  
単位: 耗  
MM



MATERIAL  
材料

TOLERANCES UNLESS  
OTHERWISE SPECIFIED:  
一般公差

- 0 PLC ± 0.3
- 1 PLC ± 0.3
- 2 PLC ± 0.3
- 3 PLC ± 0.3
- 4 PLC ± 0.3
- ANGLES ± 1°
- FINISH 仕上

DWN	-
CHK	-
APVD	-
PRODUCT SPEC	製品規格
APPLICATION SPEC	取付適用規格
WEIGHT	-
CUSTOMER DRAWING	



NAME 名称			
MICRO SD PUSH PUSH LOW PROFILE TYPE			
SIZE	CAGE CODE	DRAWING NO 番号	RESTRICTED TO
A3	00779	C-2201778	-
SCALE 尺度 8:1		SHEET 4 of 5	REV C

4

3

2

1

THIS DRAWING IS UNPUBLISHED.

RELEASED FOR PUBLICATION

MAY ,2005.

© COPYRIGHT 2005 By Tyco Electronics Japan G.K.

ALL RIGHTS RESERVED.

REVISIONS

変更

DESCRIPTION

DATE

DWN

APVD

P

LTR

SEE SHEET 1

-

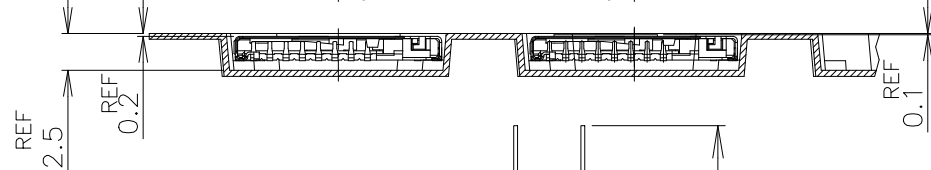
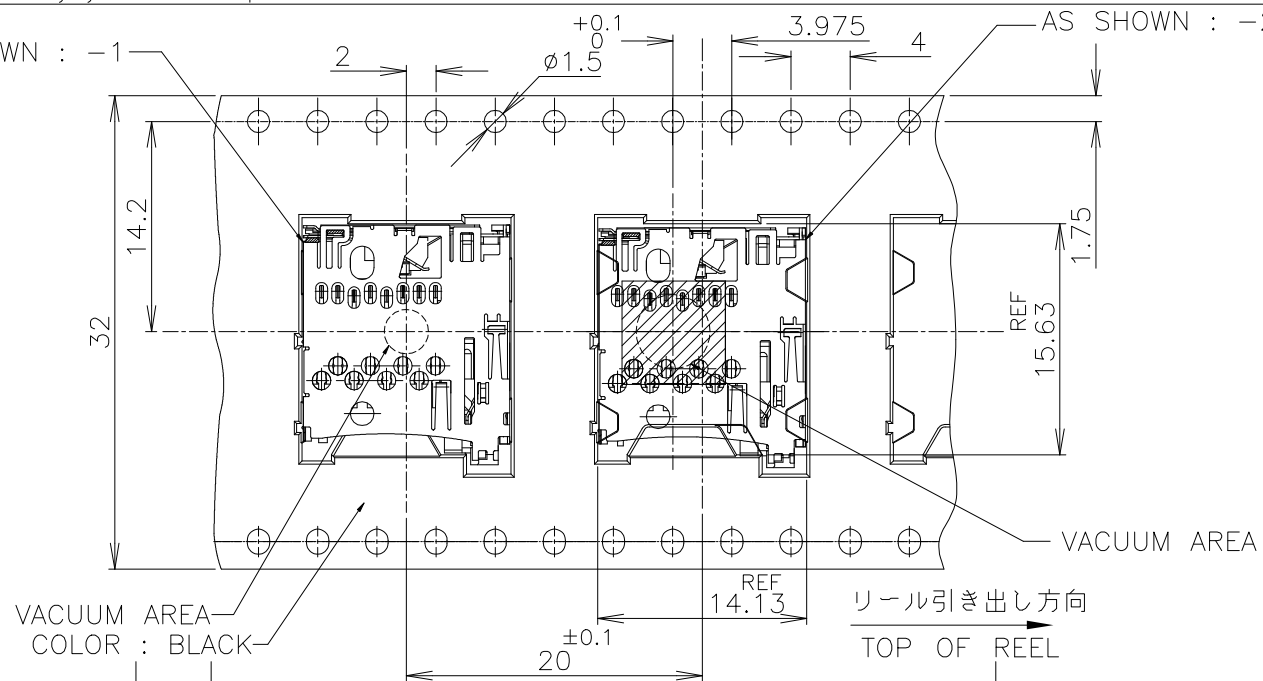
-

-

AS SHOWN : -1

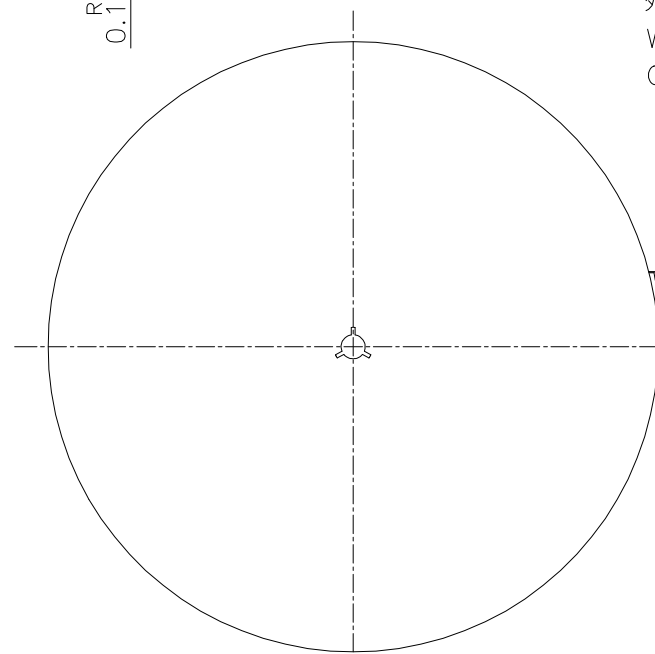
AS SHOWN : -2

AS SHOWN : -1,-2



カバーテープリーダー部  
外周1巻  
WIDE COVER TAPE AROUND  
OUT PERIPHERY 1 TURN

剥離強度 0.1-1.3N MAX(300±10mm/min)  
PEELING STRENGTH  
剥離角度 165~180°  
PEELING ANGLE



引き出し方向  
TOP OF REEL

1000個/リール  
1000EA/REEL

HOLES  
8穴

空部  
WITHOUT CHARGE  
300mm程度  
APPROX

製品装填部  
WITH PRODUCT CHARGE

空部  
WITHOUT CHARGE  
600mm程度  
APPROX

D

D

C

C

B

B

A

A

THIS DRAWING IS A CONTROLLED DOCUMENT.

DWN

CHK

APVD

PRODUCT SPEC

製品規格

APPLICATION SPEC

取付適用規格

WEIGHT

CUSTOMER DRAWING



TE Connectivity Ltd.

NAME

名称

MICRO SD  
PUSH PUSH LOW PROFILE TYPE

SIZE

CAGE CODE

DRAWING NO

番号

RESTRICTED TO

A3

00779

C=2201778

SCALE  
尺度 2:1

SHEET  
5 of 5

REV  
C

DIMENSIONS:  
単位: 耗  
MM

TOLERANCES UNLESS  
OTHERWISE SPECIFIED:  
一般公差

- 0 PLC ± 0.3
- 1 PLC ± 0.3
- 2 PLC ± 0.3
- 3 PLC ± 0.3
- 4 PLC ± 0.3
- ANGLES ± 1°

MATERIAL  
材料

FINISH  
仕上

# Mouser Electronics

Authorized Distributor

Click to View Pricing, Inventory, Delivery & Lifecycle Information:

[TE Connectivity:](#)

[2201778-1](#)