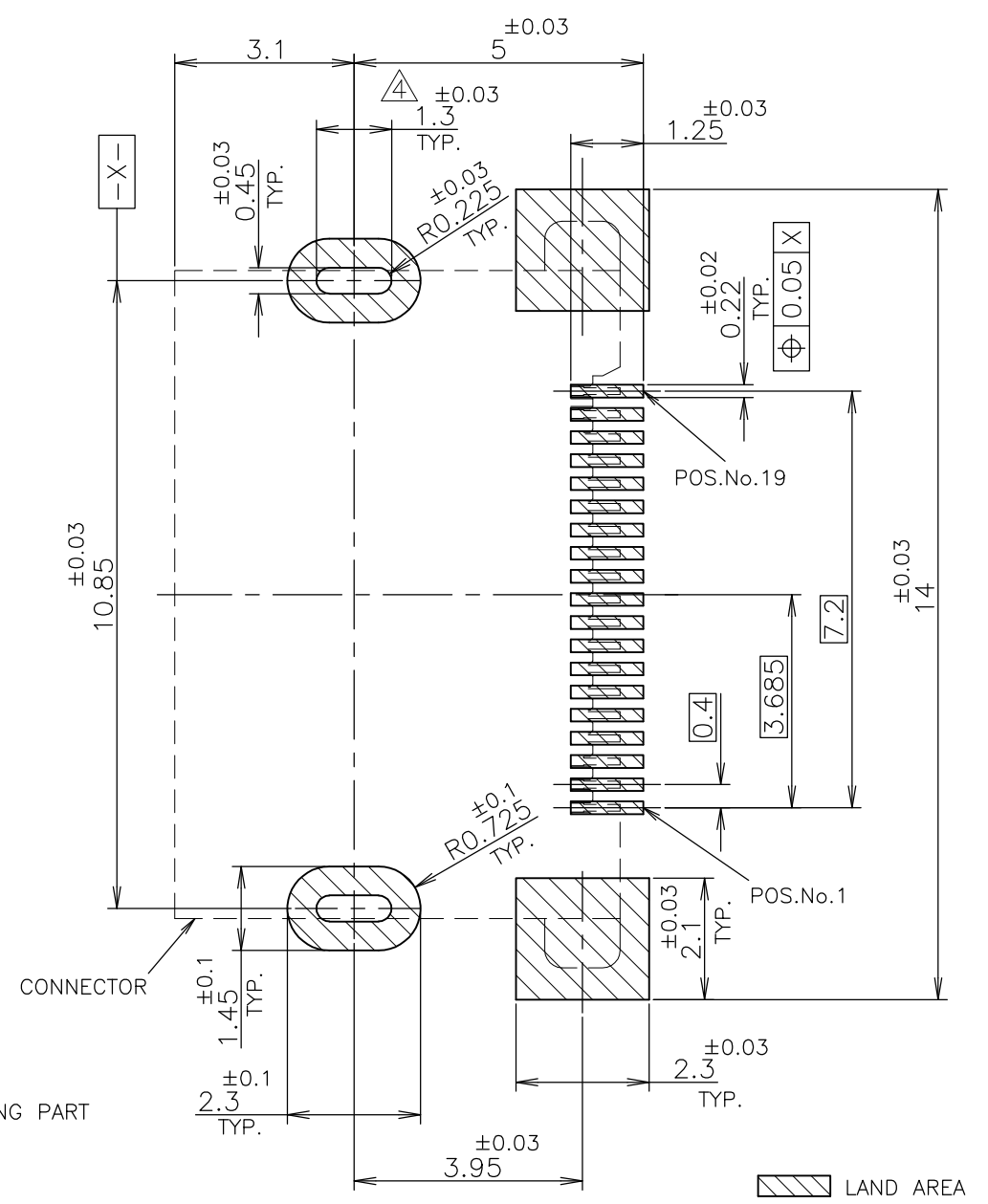
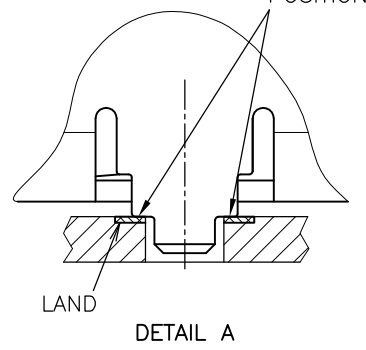
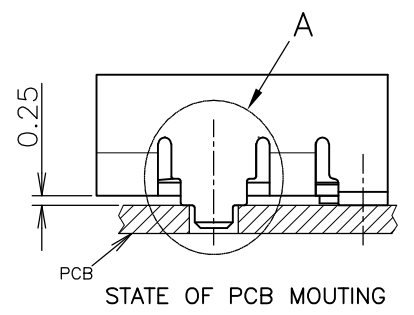
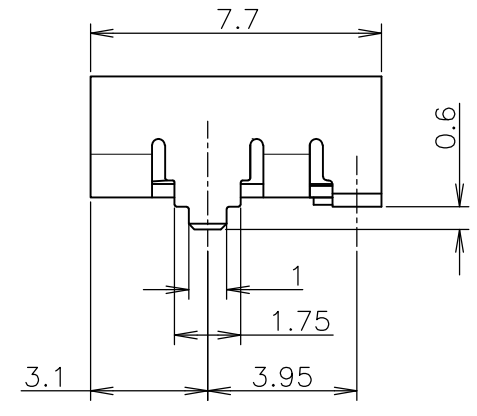
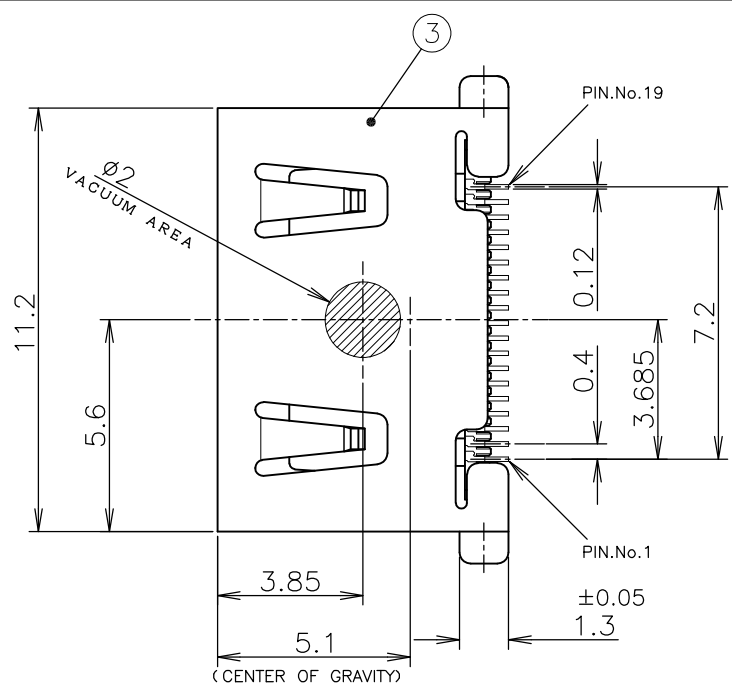
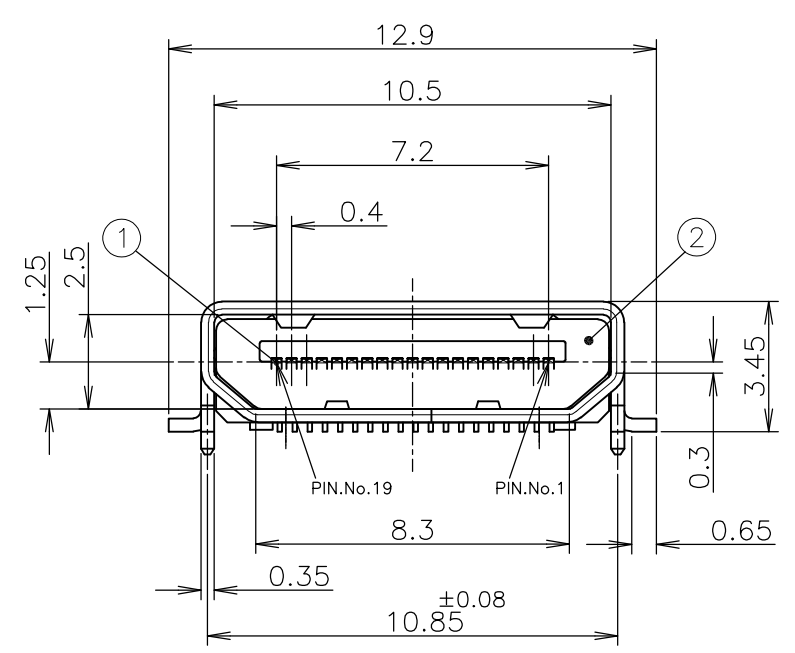


THIS DRAWING IS UNPUBLISHED. RELEASED FOR PUBLICATION
 © COPYRIGHT - By - ALL RIGHTS RESERVED.

LOC	DIST	REVISIONS					
J		P	LTR	DESCRIPTION	DATE	DWN	APVD
			B1	REVISED PER ECO-11-005030	11MAR11	RK	HMR

2013978-1;AS SHOWN



REFERENCE PCB LAYOUT

COPPER ALLOY	1	SHELL	③
THERMOPLASTIC UL94V-0,COLOR;BLACK	1	HOUSING	②
COPPER ALLOY	19	CONTACT	①
MATERIAL	QTY.	DISCRIPTION	ITEM

NOTE
 1 GENERAL TOLERANCE : ±0.3
 2 CONTACT TINE COPLANALITY ; 0.1mmMAX
 ③ FINISH
 CONTACT ; Ni UNDER PLATING ALL OVER 1.3um MIN.
 Au PLATING ON SOLDERING AREA 0.05um MIN.
 Au PLATING ON CONTACT AREA 0.1um MIN.
 SHELL ; Ni UNDER PLATING ALL OVER 0.8um MIN.
 Sn PLATING ALL OVER 0.75um MIN.
 ④ PLEASE OBSERVE THE TOLERANCE SO THAT THIS DIMENSION INFLUENCE POSITIONING THE PRODUCT(REFER TO DETAIL A,B).

注記
 1 一般公差 : ±0.3
 2 コプラナリティ : 0.1mmMAX.
 ③ 仕上げ
 コンタクト : 全面ニッケル下地 1.3μm 以上
 はんだ付け部 金フラッシュメッキ 0.05μm 以上
 接点部 金メッキ 0.1μm 以上
 シェル : 全面ニッケル下地 0.8μm 以上
 全面スズメッキ 0.75μm 以上
 ④ 本寸法は製品の位置決めに影響する寸法
 ですので、公差を厳守してください
 (DETAIL A,Bを参照ください)

THIS DRAWING IS A CONTROLLED DOCUMENT.

DIMENSIONS: 単位: 耗 mm	TOLERANCES UNLESS OTHERWISE SPECIFIED: 一般公差
	0 PLC ±
	1 PLC ±
	2 PLC ±
	3 PLC ±
	4 PLC ±
	ANGLES ±
MATERIAL 材料	FINISH 仕上

DWN	Y.OKOSHI	11JAN2008
CHK	I.IGARASHI	11JAN2008
APVD	T.FUTATSUGI	11JAN2008
PRODUCT SPEC	製品規格	108-78487
APPLICATION SPEC	取付適用規格	
WEIGHT	0.62g	

STE TE Connectivity

HDMI TYPE C RECEPTACLE CONNECTOR

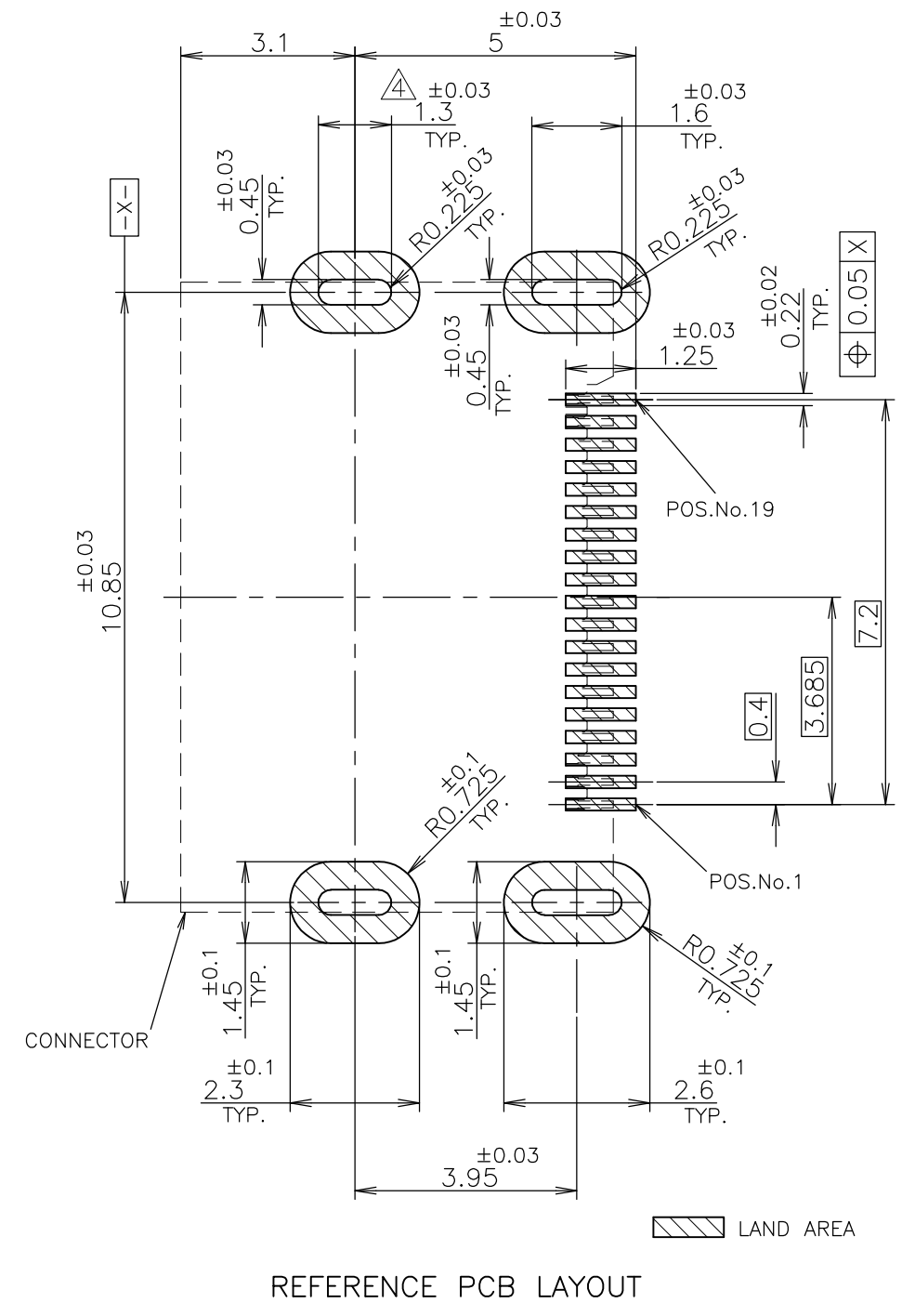
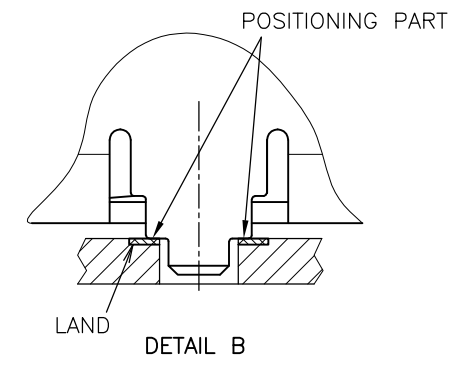
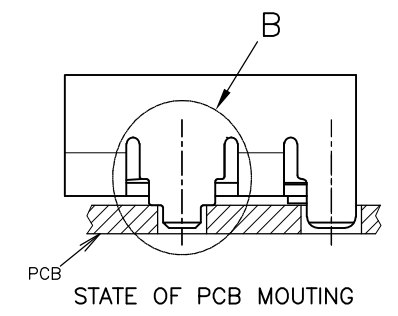
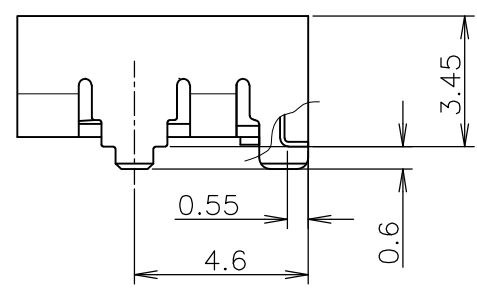
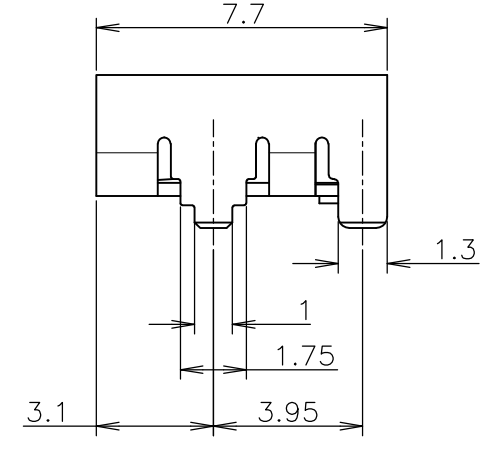
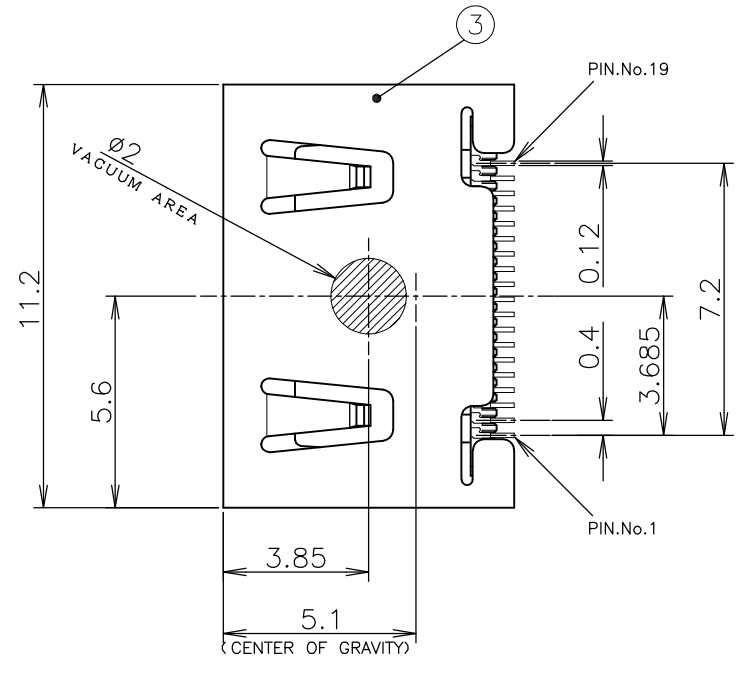
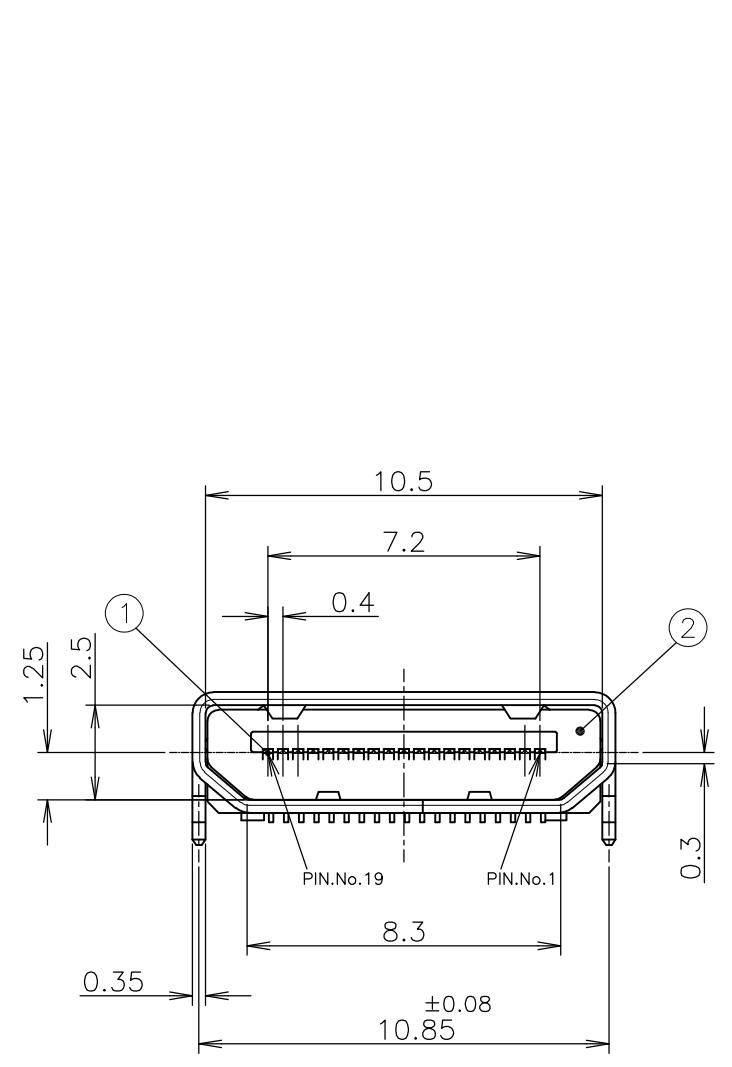
SIZE	CAGE CODE	DRAWING NO	RESTRICTED TO
A3	00779	C-2013978	

CUSTOMER DRAWING SCALE 5:1 SHEET 1 OF 5 REV B1

THIS DRAWING IS UNPUBLISHED. RELEASED FOR PUBLICATION
 © COPYRIGHT - By - ALL RIGHTS RESERVED.

LOC	DIST	REVISIONS		
J		P	LTR	DESCRIPTION
		-	-	SEE SHEET 1
				DATE
				DWN
				APVD

2013978-2;AS SHOWN



NOTE
 1 GENERAL TOLERANCE : ±0.3
 2 CONTACT TINE COPLANALITY ; 0.1mmMAX
 3 FINISH
 CONTACT ; Ni UNDER PLATING ALL OVER
 1.3um MIN.
 Au PLATING ON SOLDERING AREA
 0.05um MIN.
 Au PLATING ON CONTACT AREA
 0.1um MIN.
 SHELL ; Ni UNDER PLATING ALL OVER
 0.8um MIN.
 Sn PLATING ALL OVER
 0.75um MIN.
 4 PLEASE OBSERVE THE TOLERANCE SO THAT
 THIS DIMENSION INFLUENCE POSITIONING
 THE PRODUCT(REFER TO DETAIL A,B).

注記
 1 一般公差 : ±0.3
 2 コプラナリティ : 0.1mmMAX.
 3 仕上げ
 コンタクト : 全面ニッケル下地 1.3um 以上
 はんだ付け部 金フラッシュメッキ
 0.05um 以上
 接点部 金メッキ 0.1um 以上
 シェル : 全面ニッケル下地 0.8um 以上
 全面スズメッキ 0.75um 以上
 4 本寸法は製品の位置決めに影響する寸法
 ですので、公差を厳守してください
 (DETAIL A,Bを参照ください)

SMT TERMINAL

THIS DRAWING IS A CONTROLLED DOCUMENT.		DWN	TE Connectivity NAME 名称 HDMI TYPE C RECEPTACLE CONNECTOR					
DIMENSIONS: 単位: 耗 mm		CHK				SIZE	CAGE CODE	DRAWING NO 番号
TOLERANCES UNLESS OTHERWISE SPECIFIED: 一般公差		APVD				A3	00779	G-2013978
0 PLC ± 1 PLC ± 2 PLC ± 3 PLC ± 4 PLC ± ANGLES ± FINISH 仕上		PRODUCT SPEC 製品規格				WEIGHT 0.62g	RESTRICTED TO	
MATERIAL 材料		APPLICATION SPEC 取付適用規格	CUSTOMER DRAWING		SCALE 尺度 5:1			
					SHEET 2 OF 5			
					REV B1			

THIS DRAWING IS UNPUBLISHED.

RELEASED FOR PUBLICATION

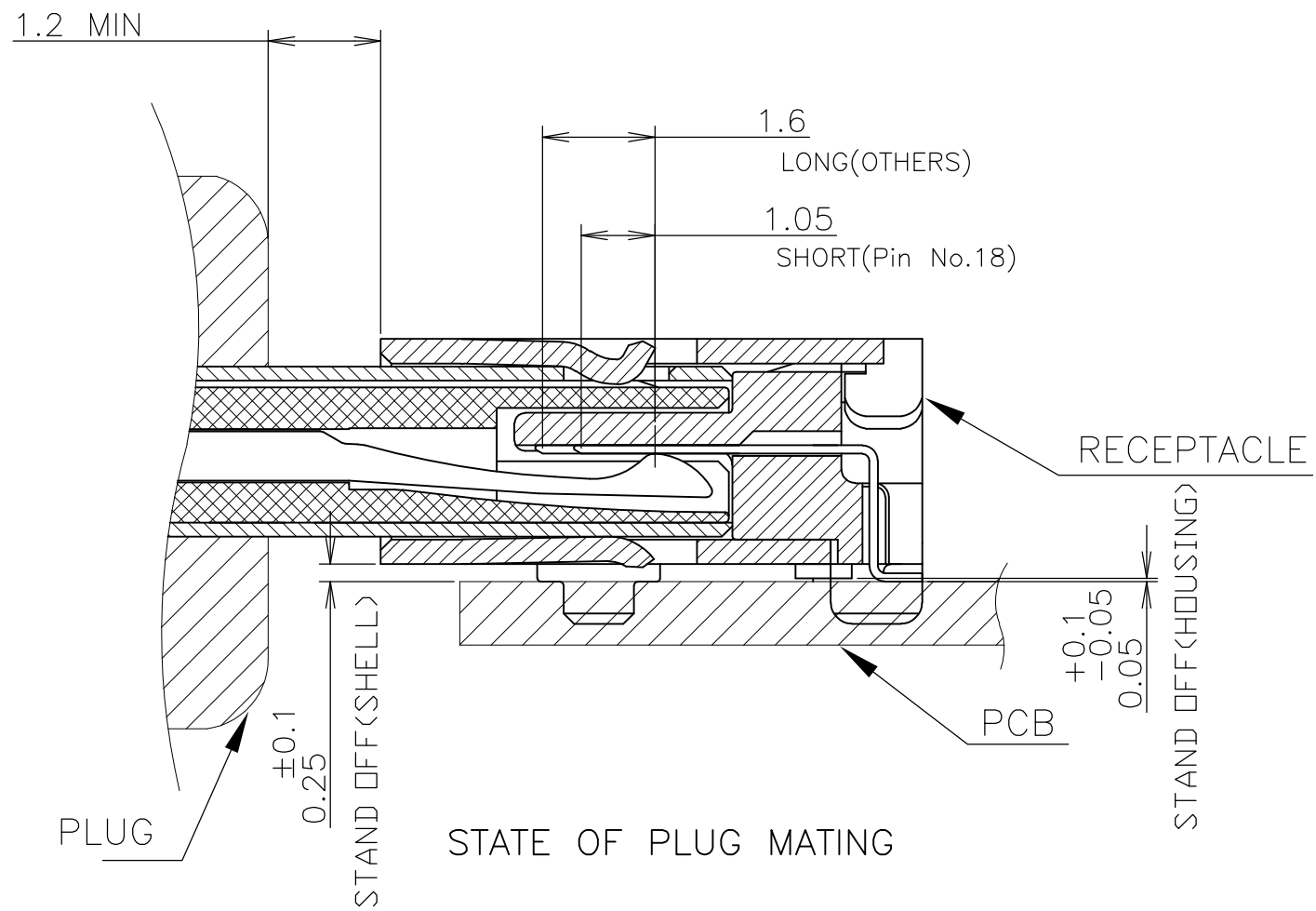
ALL RIGHTS RESERVED.

© COPYRIGHT - By -

LOC J
DIST

REVISIONS
変更

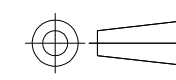
P	LTR	DESCRIPTION	DATE	DWN	APVD
-	-	SEE SHEET 1	-	-	-



STATE OF PLUG MATING

THIS DRAWING IS A CONTROLLED DOCUMENT.

DIMENSIONS:
単位: 耗
mm



TOLERANCES UNLESS OTHERWISE SPECIFIED:
一般公差

0 PLC	±
1 PLC	±
2 PLC	±
3 PLC	±
4 PLC	±
ANGLES	±

MATERIAL
材料

FINISH
仕上



DWN
CHK
APVD
PRODUCT SPEC 製品規格
APPLICATION SPEC 取付適用規格
WEIGHT



NAME
名称
HDMI TYPE C
RECEPTACLE CONNECTOR

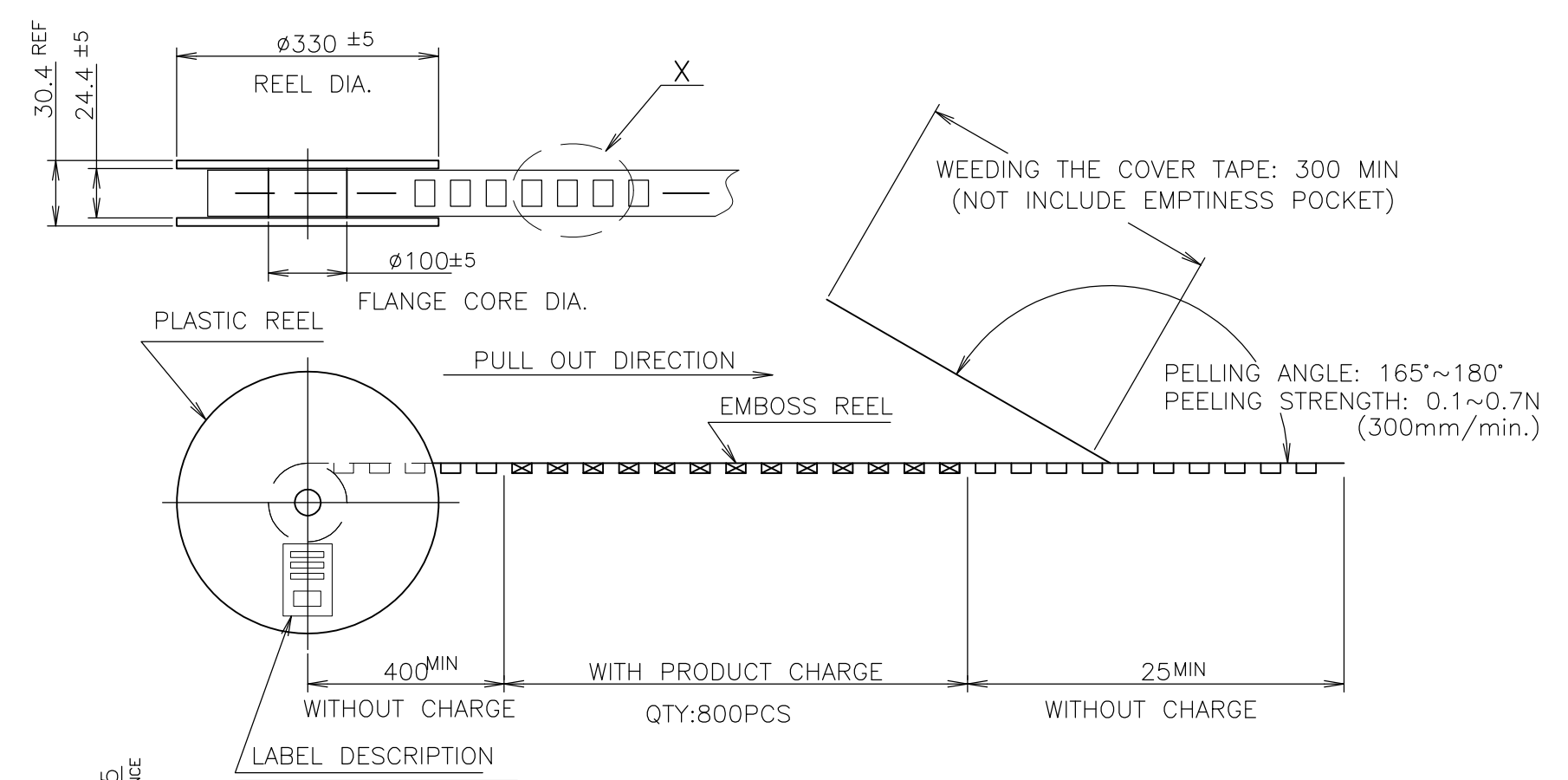
SIZE	CAGE CODE	DRAWING NO 番号	RESTRICTED TO
A3	00779	G-2013978	

CUSTOMER DRAWING SCALE 5:1 SHEET 3 OF 5 REV B1

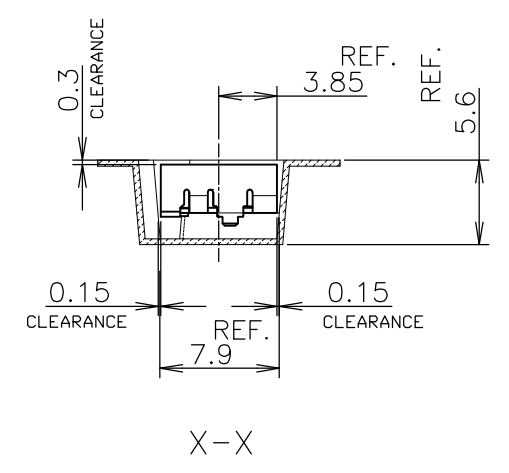
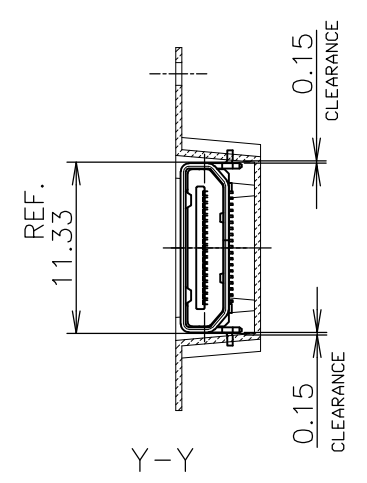
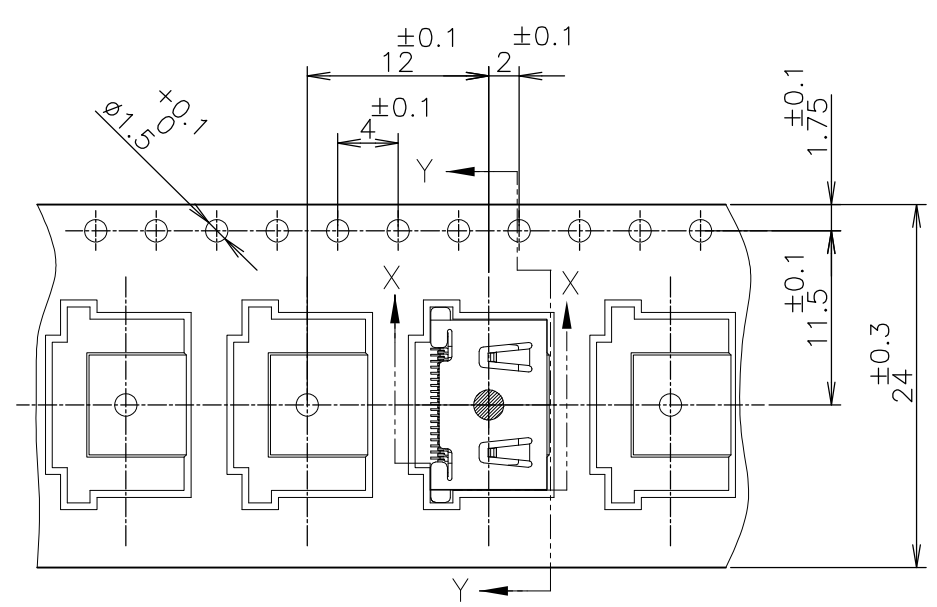
THIS DRAWING IS UNPUBLISHED. RELEASED FOR PUBLICATION
 © COPYRIGHT - By - ALL RIGHTS RESERVED.

LOC	DIST	REVISIONS				
J		变更	DESCRIPTION	DATE	DWN	APVD
		P	LTR			
		-	SEE SHEET 1	-	-	-

2013978-1;AS SHOWN



TYCO P/N:
 QTY:
 D/C:
 MADE IN CHINA

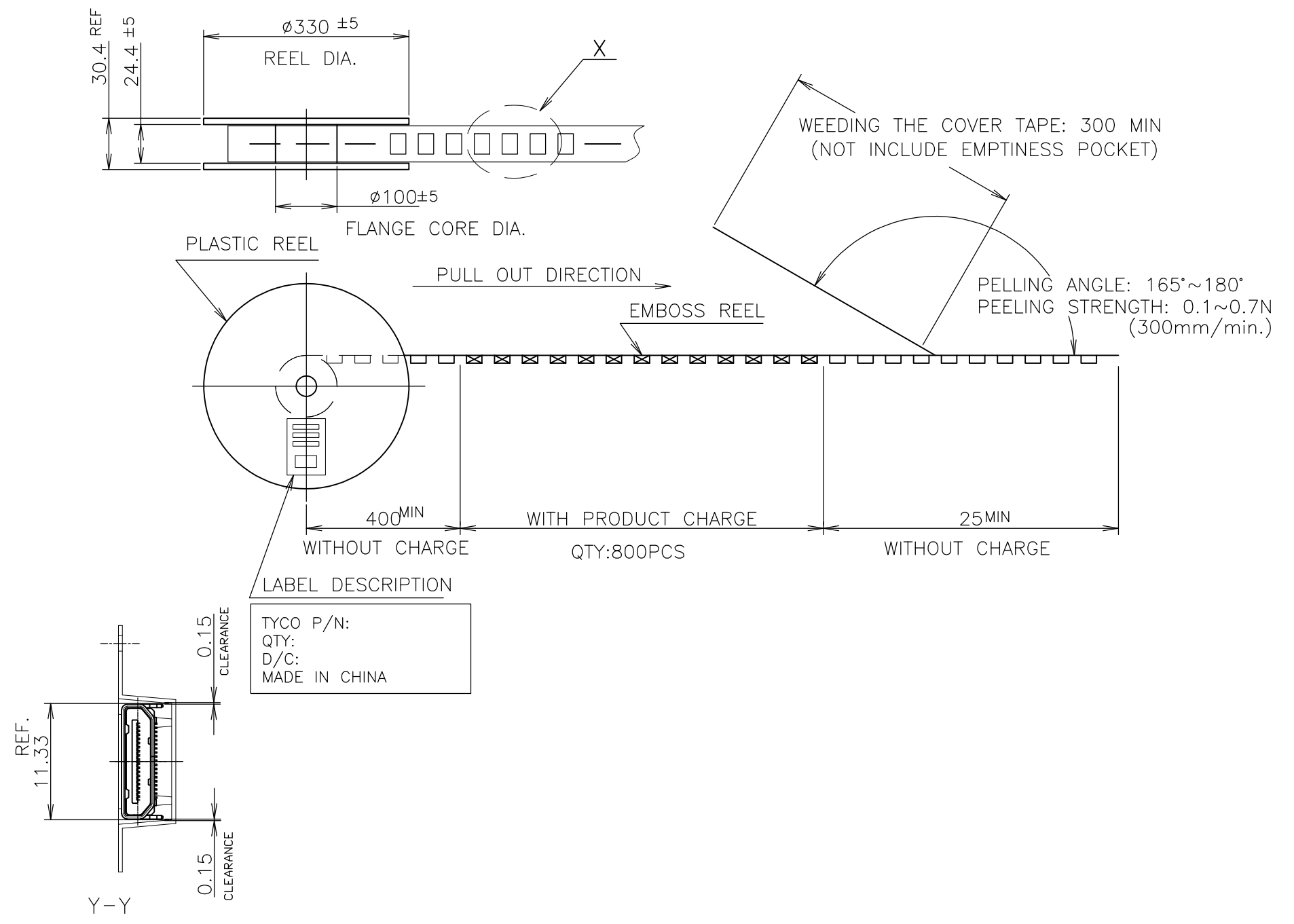
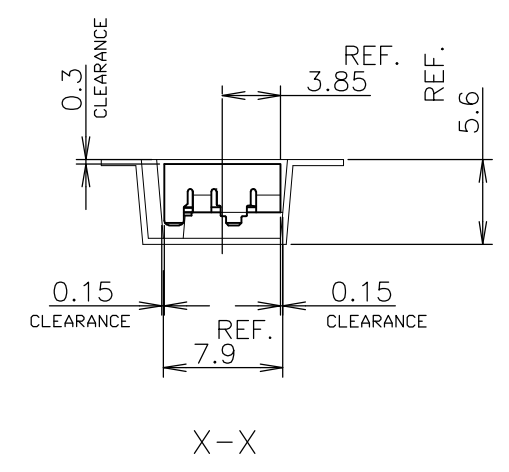
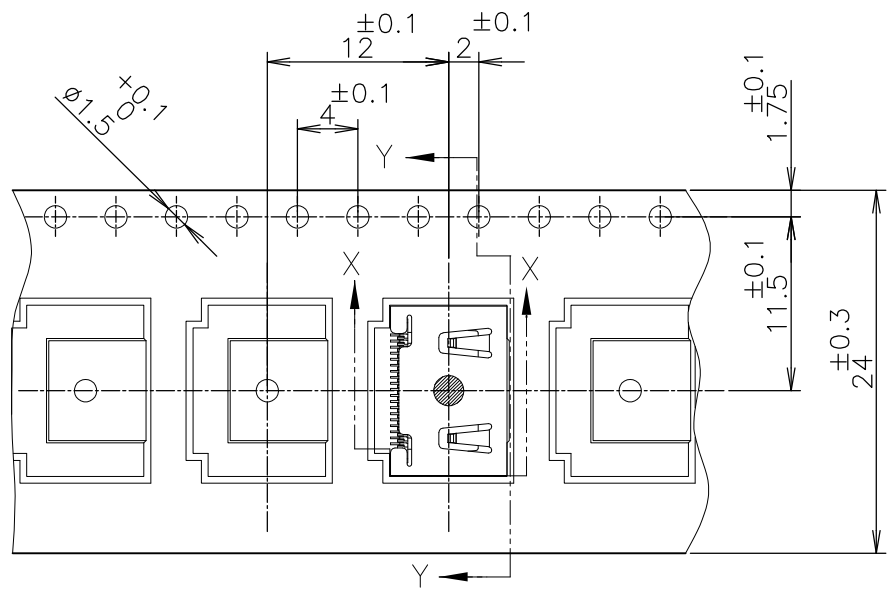


THIS DRAWING IS A CONTROLLED DOCUMENT.		DWN	STE TE Connectivity	
DIMENSIONS: 单位: 耗 mm		CHK		
TOLERANCES UNLESS OTHERWISE SPECIFIED: 一般公差		APVD	NAME 名称	
0 PLC ±		PRODUCT SPEC 製品規格	HDMI TYPE C RECEPTACLE CONNECTOR	
1 PLC ±		APPLICATION SPEC 取付適用規格	SIZE	CAGE CODE
2 PLC ±		MATERIAL 材料	A3	00779
3 PLC ±			DRAWING NO 番号	G-2013978
4 PLC ±		WEIGHT	RESTRICTED TO	
ANGLES ±		CUSTOMER DRAWING		SCALE 尺度 5:1
FINISH 仕上		SHEET 4 OF 5		REV B1

THIS DRAWING IS UNPUBLISHED. RELEASED FOR PUBLICATION
 © COPYRIGHT - By - ALL RIGHTS RESERVED.

LOC	DIST	REVISIONS		
J		P	LTR	DESCRIPTION
		-		SEE SHEET 1
				DATE
				DWN
				APVD

2013978-2;AS SHOWN



THIS DRAWING IS A CONTROLLED DOCUMENT.		DWN	STE TE Connectivity	
DIMENSIONS: 单位: 耗 mm		CHK		
TOLERANCES UNLESS OTHERWISE SPECIFIED: 一般公差		APVD	NAME 名称	
0 PLC ±		PRODUCT SPEC 製品規格	HDMI TYPE C RECEPTACLE CONNECTOR	
1 PLC ±		APPLICATION SPEC 取付適用規格	SIZE	CAGE CODE
2 PLC ±		WEIGHT	A3	00779
3 PLC ±			DRAWING NO 番号	G-2013978
4 PLC ±		CUSTOMER DRAWING	RESTRICTED TO	
ANGLES ±		SCALE 尺度	SHEET	REV
FINISH 仕上		5:1	5 OF 5	B1

Mouser Electronics

Authorized Distributor

Click to View Pricing, Inventory, Delivery & Lifecycle Information:

[TE Connectivity:](#)

[2013978-2](#)