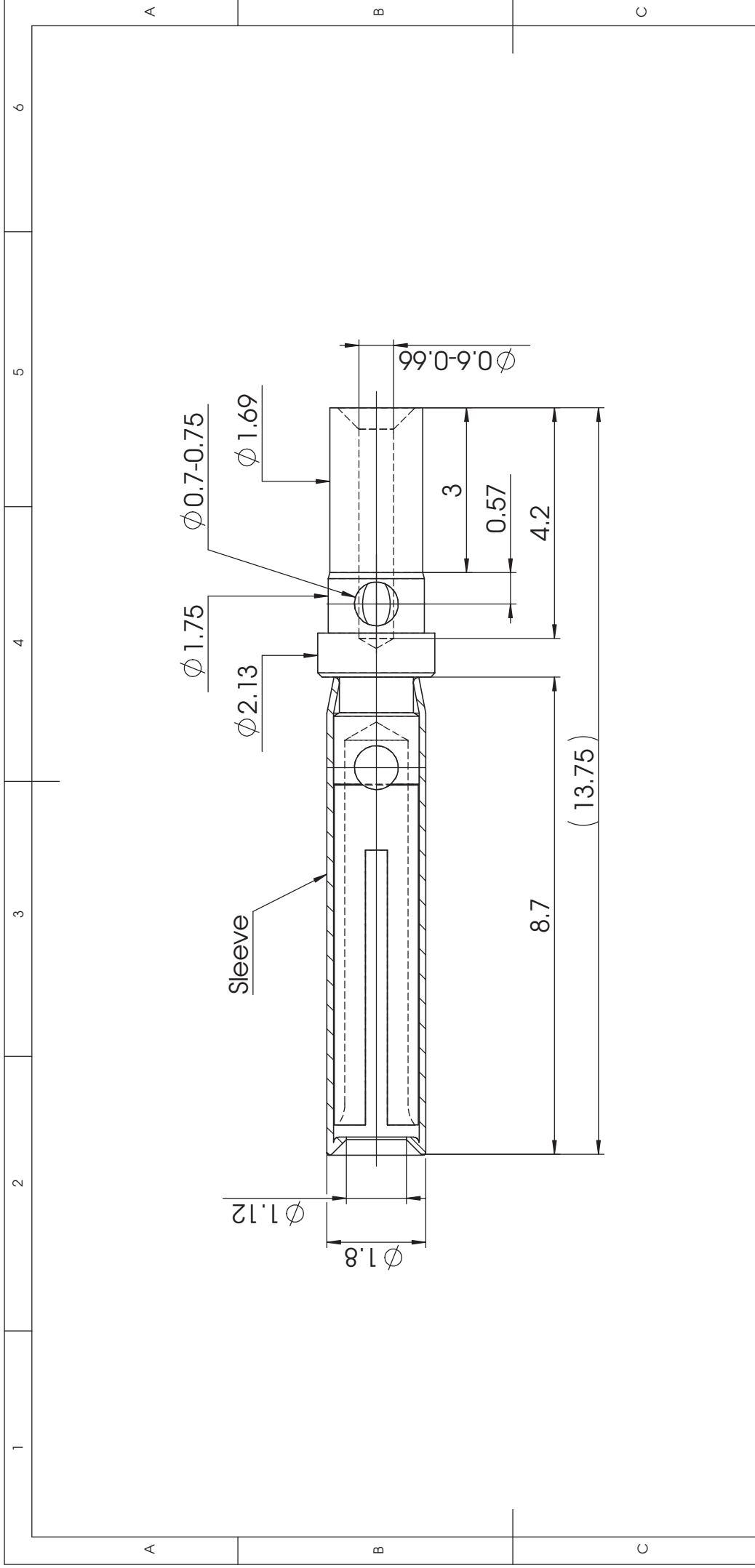


COMMENT:  
 ALL RIGHTS ARE RESERVED BY US FOR THIS DRAWING. WITHOUT OUR PRIOR CONSENT,  
 IT MAY NEITHER BE DUBLICATED NOR MADE AVAILABLE TO A THIRD PARTY,  
 AND IT ALSO MAY NOT BE IMPROPERLY USED BY THE RECEIVER, OR A THIRD PARTY.



FK20S26-13V		Copper alloy		1,3µm Au	
Part No.		Material		Surface plating / Colour / Class	
		Measurement without tolerance occ. to ISO 2768-m	SCALE	TITLE	
		NAME / DATE	10:1	Crimp Socket Contact AWG 26-28	
		sschref 05-03-2007			
		gschleifer 05-03-2007			
		CHECKED		DWG. NO.	
		FST group fctgroup.com		FK20S26_D	
		ORIGINAL: DIN A4-DRAWING AS A FILE		REV.	
1	REV.	DATE	CH.-NO.	1	
2				PAGES 1	