



- LED Permanent light
- Continuous tone can be additionally activated
- Simple connection by means of connector plug

Life duration up to 50,000 hrs

TECHNICAL SPECIFICATIONS:

Dimensions (Ø x Height):	50 mm x 22 mm (Protrusion from panel)
Housing:	PC/ABS-Blend
Lens:	PC, transparent
Connection:	Connector plug with screw terminal max. 1.5 mm ²
Tone type:	Continuous
Tone frequency:	C. 2.8 kHz
Duty cycle:	100 %
Fixing:	Installation mounting for Ø 22.5 mm (M22 x 1.5 mm) with anti-twist device

Nut and seal included in assembly.

ORDER SPECIFICATIONS:

Voltage	24 V DC	115 V AC	230 V AC
Current consumption	< 50 mA	< 20 mA	< 20 mA
red	150 100 55	150 100 67	150 100 68
yellow	150 300 55	150 300 67	150 300 68

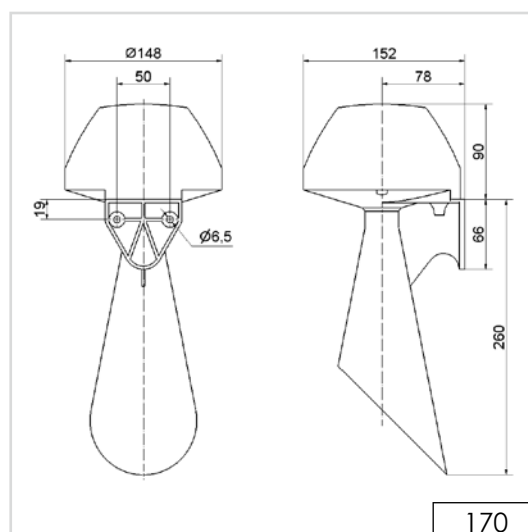
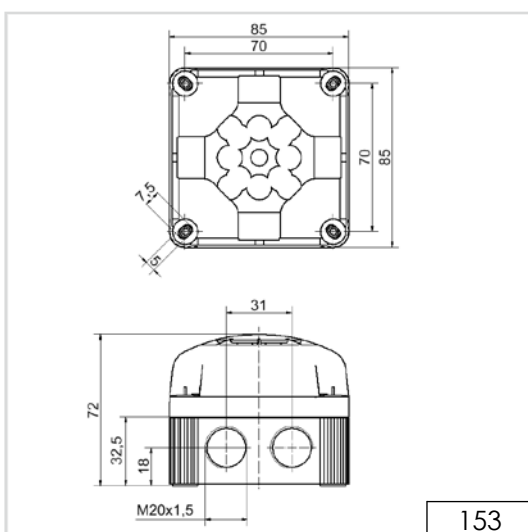
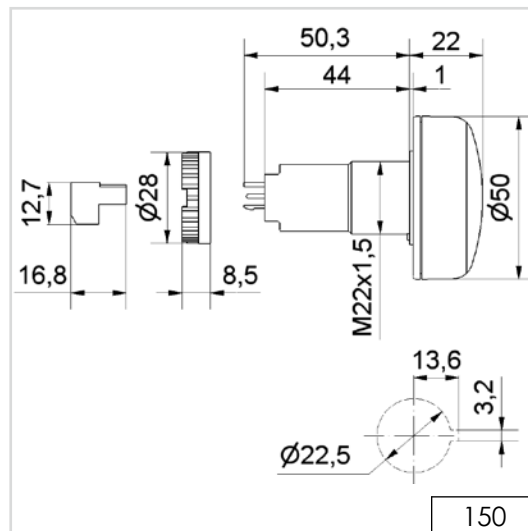
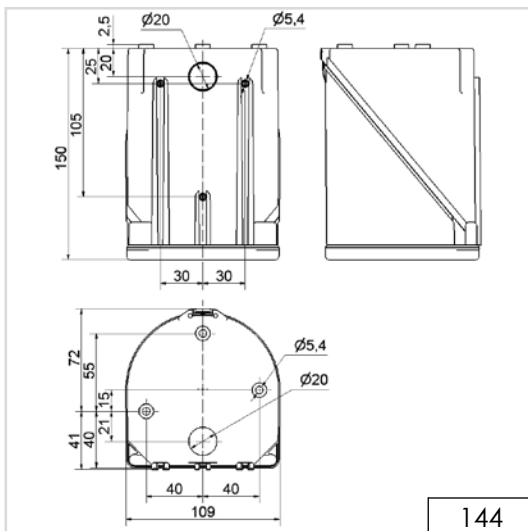
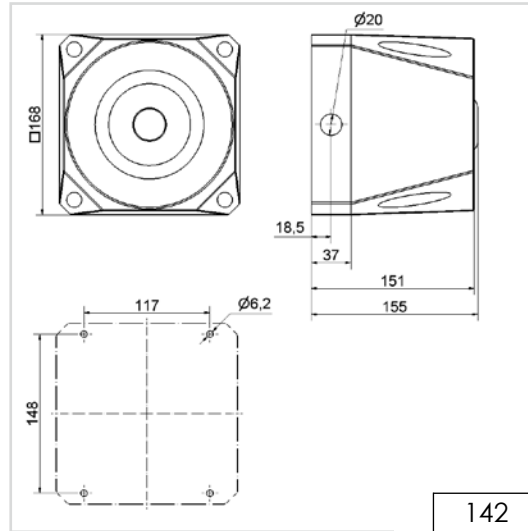
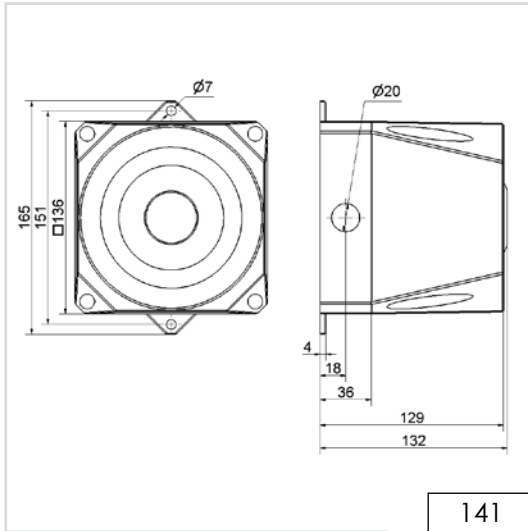


TECHNICAL DIAGRAMS:

see page 297



See note on page 347



! ADDITIONAL INFORMATION:

You are welcome to request the technical diagrams in digital form. The relevant 3D models, instruction leaflets and connection diagrams can be obtained from us or downloaded from our homepage at any time.