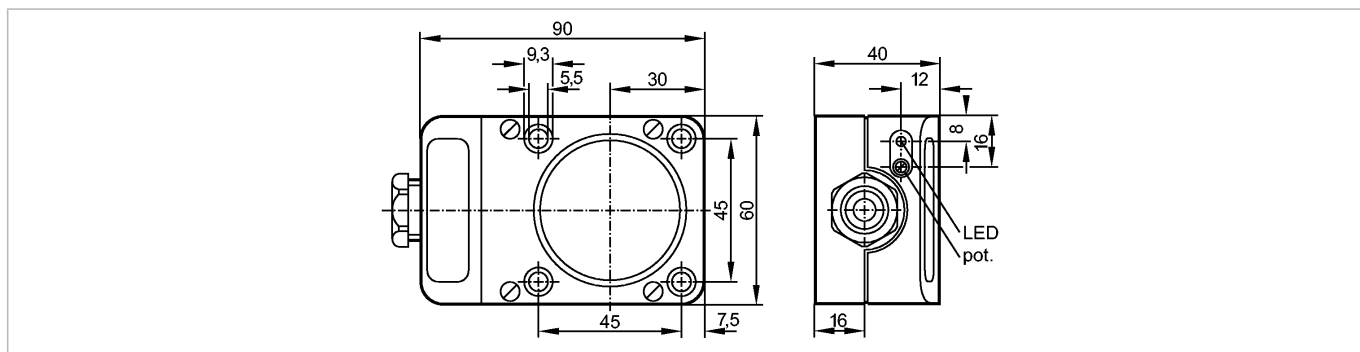


IC5005

ICE3040-FPKG

Inductive sensors



Product characteristics

Inductive sensor
Rectangular, plastics
Terminals
Sensing range 40 mm; adjustable; [nf] non-flush mountable

Electrical data

Electrical design	DC PNP
Operating voltage [V]	10...36 DC
Current consumption [mA]	15 (24 V)
Protection class	II
Reverse polarity protection	yes

Outputs

Output function	normally open / closed programmable
Voltage drop [V]	< 2.5
Current rating [mA]	250
Short-circuit protection	pulsed
Overload protection	yes
Switching frequency [Hz]	15

Range

Sensing range [mm]	40, adjustable
Real sensing range (Sr) [mm]	40 ± 10 %
Operating distance [mm]	0...32.4

Accuracy / deviations

Correction factors	mild steel = 1 / stainless steel approx. 0.7 / brass approx. 0.4 / Al approx. 0.3 / Cu approx. 0.2
Hysteresis [% of Sr]	1...15
Switch-point drift [% of Sr]	-10...10

Environment

Ambient temperature [°C]	-25...80
Protection	IP 65

Tests / approvals

EMC	EN 60947-5-2
MTTF [Years]	1261

Mechanical data

Mounting	non-flush mountable
Housing materials	PPE

IC5005

ICE3040-FPKG

Inductive sensors

Weight [kg] 0.267

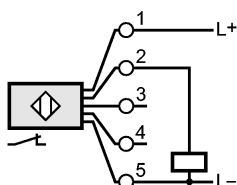
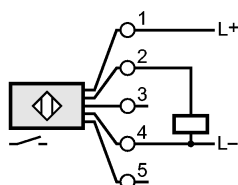
Displays / operating elements

Output status indication LED yellow

Electrical connection

Connection terminals up to 2.5 mm²; cable diameter 7...13 mm, cable gland M20 x 1.5

Wiring



Accessories

Accessories (included) screwdriver; 4 spring washers; 4 cylinder screws; M5 x 35

Remarks

Pack quantity [piece] 1