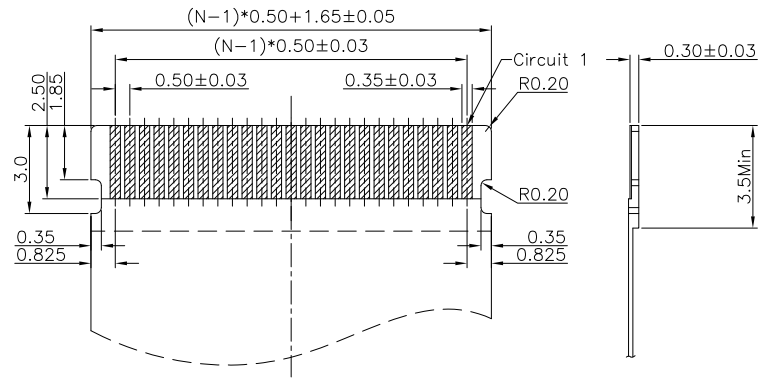


RECOMMENDED P.C.B. PATTERN LAYOUT



RECOMMENDED FPC/FFC DIMENSION

Note:

- Material:
  - Housing: thermoplastic high temp.UL94V-0; Color: natural.
  - Latch: thermoplastic high temp.UL94V-0; Color: black.
  - Terminal: copper alloy.
  - Fitting Nail: copper alloy.

2. Finish:

- Terminal:
  - Underplating: Au/Matte Tin overall.
- Fitting Nail:
  - Underplating: Matte Tin overall.

3. Product must comply HF RoHS specification.

4. Product No:

AFC48-S \*\* \* K \* - HF  
 CKTS                      \*                      K                      \*                      - HF

CONTACTS TYPE  
 F:Lower  
 H:Double Lower

PACKING  
 A:Tape&Reel  
 C:Tube

PLATING  
 1:Gold flash 1u"  
 2:Gold flash 2u"  
 3:Gold flash 3u"  
 6:Half Gold Tin 1u"  
 7:Half Gold Tin 3u"  
 B:Bright-Tin 80-150u"  
 C:Matte-Tin 80-150u"  
 K:Au 3u"

CKTS	DIM A	DIM B	DIM C	DIM D	DIM E	DIM F	DIM G
04	1.50	3.80	3.17	4.37	3.17	3.07	3.95
05	2.00	4.30	3.67	4.87	3.67	3.57	4.45
06	2.50	4.80	4.17	5.37	4.17	4.07	4.95
07	3.00	5.30	4.67	5.87	4.67	4.57	5.45
08	3.50	5.80	5.17	6.37	5.17	5.07	5.95
09	4.00	6.30	5.67	6.87	5.67	5.57	6.45
10	4.50	6.80	6.17	7.37	6.17	6.07	6.95
11	5.00	7.30	6.67	7.87	6.67	6.57	7.45
12	5.50	7.80	7.17	8.37	7.17	7.07	7.95
13	6.00	8.30	7.67	8.87	7.67	7.57	8.45
14	6.50	8.80	8.17	9.37	8.17	8.07	8.95
15	7.00	9.30	8.67	9.87	8.67	8.57	9.45
16	7.50	9.80	9.17	10.37	9.17	9.07	9.95
17	8.00	10.30	9.67	10.87	9.67	9.57	10.45
18	8.50	10.80	10.17	11.37	10.17	10.07	10.95
19	9.00	11.30	10.67	11.87	10.67	10.57	11.45
20	9.50	11.80	11.17	12.37	11.17	11.07	11.95
21	10.00	12.30	11.67	12.87	11.67	11.57	12.45
22	10.50	12.80	12.17	13.37	12.17	12.07	12.95
23	11.00	13.30	12.67	13.87	12.67	12.57	13.45
24	11.50	13.80	13.17	14.37	13.17	13.07	13.95
25	12.00	14.30	13.67	14.87	13.67	13.57	14.45
26	12.50	14.80	14.17	15.37	14.17	14.07	14.95
27	13.00	15.30	14.67	15.87	14.67	14.57	15.45
28	13.50	15.80	15.17	16.37	15.17	15.07	15.95
29	14.00	16.30	15.67	16.87	15.67	15.57	16.45
30	14.50	16.80	16.17	17.37	16.17	16.07	16.95
31	15.00	17.30	16.67	17.87	16.67	16.57	17.45
32	15.50	17.80	17.17	18.37	17.17	17.07	17.95
33	16.00	18.30	17.67	18.87	17.67	17.57	18.45
34	16.50	18.80	18.17	19.37	18.17	18.07	18.95
35	17.00	19.30	18.67	19.87	18.67	18.57	19.45
36	17.50	19.80	19.17	20.37	19.17	19.07	19.95
37	18.00	20.30	19.67	20.87	19.67	19.57	20.45
38	18.50	20.80	20.17	21.37	20.17	20.07	20.95
39	19.00	21.30	20.67	21.87	20.67	20.57	21.45
40	19.50	21.80	21.17	22.37	21.17	21.07	21.95

CUSTOMER DRAWING

Tolerance Unspecified (未注公差)	Size(图幅): A4
0.0 ±0.15 0° ±5°	Unit(单位): MM
0.00 ±0.10 0° ±3°	Scale(比例): 1:1
0.000 ±0.05 0° 0° ±1°	Page(页数): 1 OF 1
Project View (投影视角)	Rev(版本): A

深圳市钜硕电子有限公司  
 SHENZHEN JUSHUO ELECTRONIC CO.,LTD

Product Name(产品名称):  
 0.5Pitch H=0.95 FPC Easy-on R/A Type1 SMT CONN

Product No(产品料号):  
 AFC48-S\*\*F\*\*\*

Rev	Change Description	Date	Revisor
A	初版发行	2019/07/11	吴小光
版本	变更内容	日期	制/修订人



Designer(设计): 吴小光

Checked(审核):

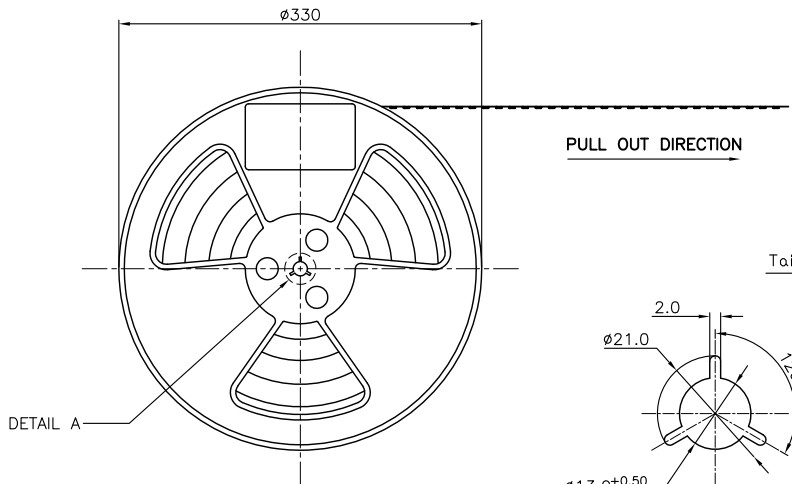
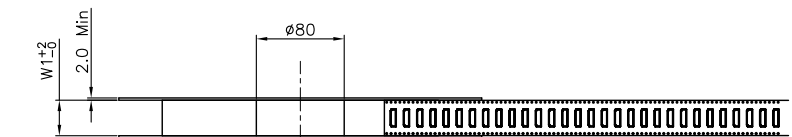
Approved(核准):

NOTES:

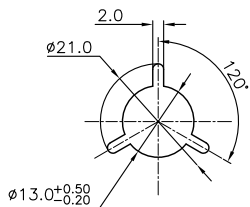
1. 10 SPROCKET HOLE PITCH CUMULATIVE TOLERANCE.±0.20mm
2. CARRIER CAMBER NOT TO EXCEED 1mm IN 250mm.
3. ALL DIMENSIONS MEET EIA-481-C REQUIREMENTS.
4. MATERIAL: BLACK ANTI-STATIC POLYSTYRENE.
5. THICKNESS: 0.30 ± 0.05 mm.
6. PACKING LENGTH PER 13" REEL : 36.60METERS.
7. COMPONENT LOAD PER 13" REEL : 3000PCS.
8. PEELING OFF FORCE OF TOP TAPE 0.1N~0.7N(10.2gf~71.4gf).

EB-450XXX125-XX

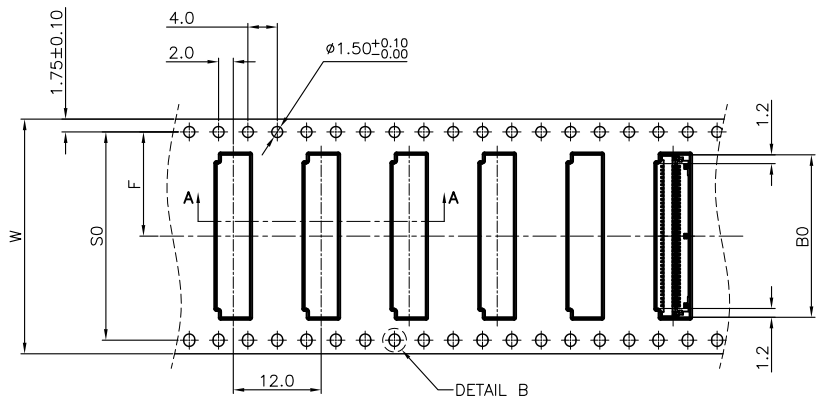
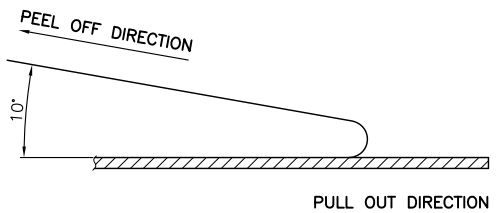
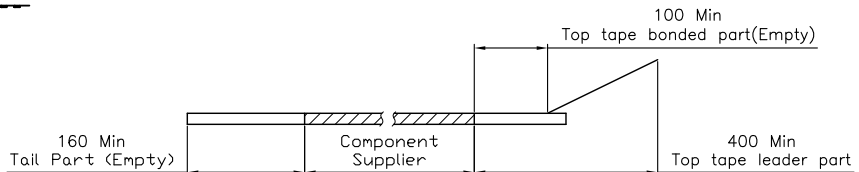
- 00: 黑色 (3000PCS/Reel)
- 01: 白色 (3000PCS/Reel)
- 03: 白色 (4000PCS/Reel)



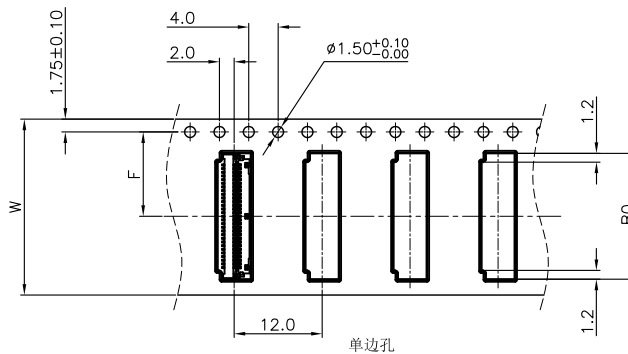
DETAIL A



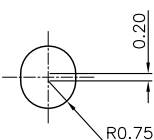
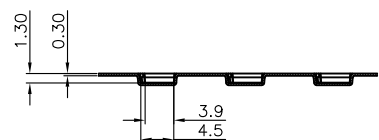
DETAIL A



SECTION A-A  
SCALE 1:1



单边孔



DETAIL B  
SCALE 5:1

CKTS	B0±0.10	W	W1	F	SO±0.10
4	4.67	16+0.3/-0	16.4	7.5±0.10	
5	5.17				
6	5.67				
7	6.17				
8	6.67				
9	7.17				
10	7.67				
11	8.17				
12	8.67				
13	9.17				
14	9.67				
15	10.17				
16	10.67				
17	11.17				
18	11.67				
19	12.17				
20	12.67				
21	13.17				
22	13.67				
23	14.17				
24	14.67				
25	15.17				
26	15.67				
27	16.17				
28	16.67				
29	17.17				
30	17.67				
31	18.17				
32	18.67				
33	19.17				
34	19.67				
35	20.17				
36	20.67				
37	21.17				
38	21.67				
39	22.17				
40	22.67	44±0.30	44.4	20.2±0.15	40.4

单边孔

CLASSIFICATION DIMENSION (尺寸类别): FAT (首次检验): ⊗To ⊗ ■ MARK IS MAJOR DIM (重点尺寸标示) ⊗ MARK IS CRITICAL DIM (Cpk&Cp标示)	
Tolerance Unspecified (未注公差)	Size (图幅): A4
0.0 ±0.10 0° ±3°	Unit (单位): MM
0.00 ±0.05 0° 0° ±2°	Scale (比例): 1:1
0.000 ±0.02 0° 0° ±1°	Page (页数): 1 OF 1
Project View (投影视角): 第三角	Rev (版本): 1.0

深圳市钜硕电子有限公司  
SHENZHEN JUSHUO ELECTRONIC CO., LTD

Product Name (产品名称):  
0.5Pitch H=0.95 FPC 掀盖卧式SMT型.载带

Product No (产品料号):  
AFC48-S\*\*F\*\*\*

Drawing No (图面编号): DNE00096-1  
Date (日期): 2015/03/09

Designer (设计): Allan  
Checked (审核):  
Approved (核准):

1.0	初版发行	2015/03/09	Allan
Rev 版本	Change Description 变更内容	Date 日期	Revisor 制/修订人