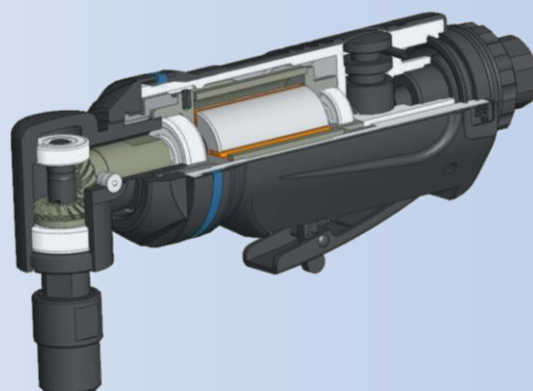


TDG A18000

- Part # : TDG A18000
- Description : 90° Axial grinder
- Clamps : 3 - 6 mm
- Power : 0,5 cv / 370 W
- Air consumption : 113 l/min. (unloaded)
- Rotation speed : 18000 rpm.
- Inlet thread : 1/4" BSPF
- Hose ID : 10 mm (3/8")
- Working pressure : 6,3 bar
- Sound level : 80 dBa
- Vibrations : 1,25 m/s²
- Length : 170 mm
- Weight : 0,8 kg
- Material : Composite body
- Speed : Adjustment screw
- Triger : Progressive / Safety
- Included : 2 clamps (3 – 6 mm)



Applications

