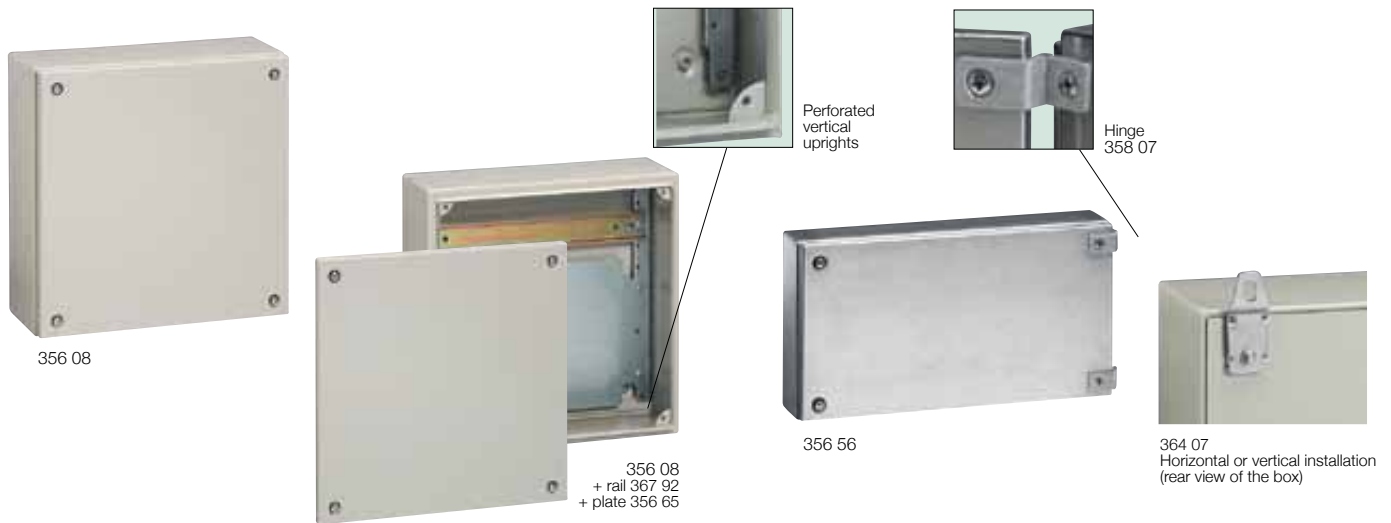


# Atlantic industrial metal boxes



Pack	Cat. No.	Industrial boxes
		<b>Metal RAL 7035</b>
		<b>Exterior dimensions in mm</b>
		<b>H x W x D</b>
		<b>Square version</b>
1	356 00	150 x 150 x 80
1	356 03	200 x 200 x 80
1	356 04	200 x 200 x 120
1	356 08	300 x 300 x 120
1	356 12	400 x 400 x 120
		<b>Rectangular version</b>
1	356 02	150 x 200 x 80
1	356 05	150 x 300 x 120
1	356 07	200 x 300 x 120
1	356 10	200 x 400 x 120
1	356 14	200 x 500 x 120
1	356 15	300 x 500 x 120
1	356 17	200 x 600 x 120
1	356 18	300 x 600 x 120
1	356 19	400 x 600 x 120
1	356 22	400 x 800 x 120
		<b>Stainless steel 304 L</b>
		<b>Square version</b>
1	356 50	150 x 150 x 80
1	356 53	200 x 200 x 120
		<b>Rectangular version</b>
1	356 56	200 x 400 x 120

Pack	Cat. No.	Accessories
		<b>Hinges</b>
1	358 07	Set of 2
		<b>Plain plate</b>
		Box dimensions:(height x width in mm)
1	356 60	150 x 150
1	356 62	200 x 200
1	356 65	300 x 300
1	356 68	400 x 400
1	356 61	150 x 200
1	356 63	150 x 300
1	356 64	200 x 300
1	356 66	200 x 400
1	356 69	200 x 500
1	356 70	300 x 500
1	356 71	200 x 600
1	356 72	300 x 600
1	356 73	400 x 600
1	356 75	400 x 800
		<b>DIN rail</b>
		<b>7.5mm depth</b>
5	367 90	150 x 150
5	367 91	150 x 200 and 200 x 200
5	367 92	150 x 300, 200 x 300 and 300 x 300
5	367 93	200 x 400 and 400 x 400
		<b>Depth 15 mm</b>
5	367 94	200 x 500 and 300 x 500
5	367 95	200 x 600, 300 x 600 and 400 x 600
5	367 96	400 x 800
		<b>Wall mounting bracket</b>
1	364 07	Set of 4 stainless steel lugs for horizontal and vertical installation on box

# Atlantic industrial metal boxes

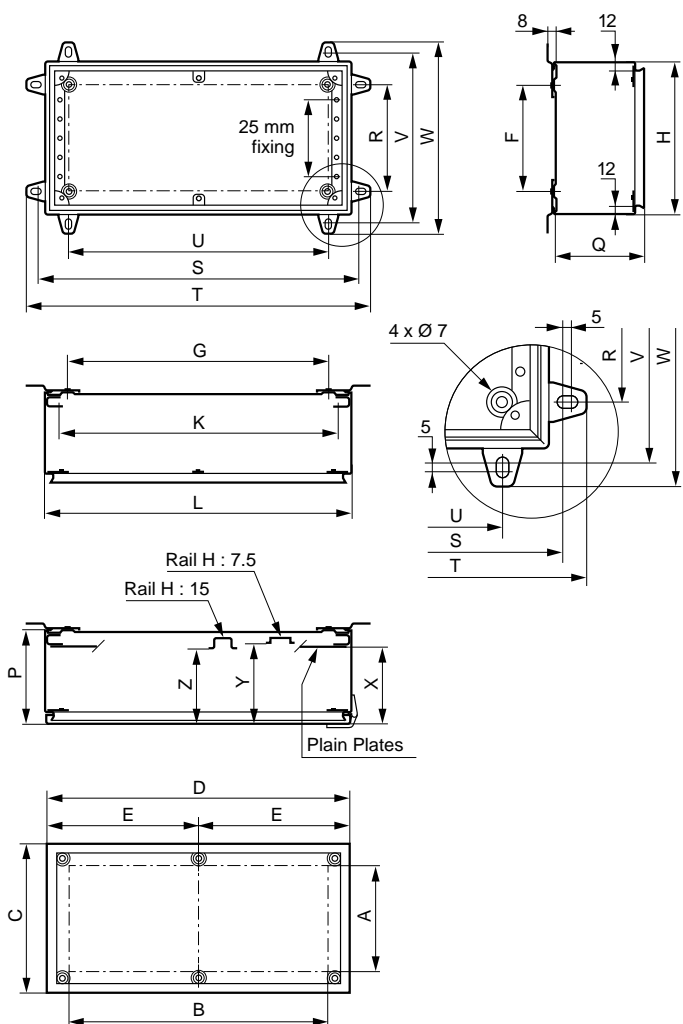
## technical specifications

### Characteristics of metal boxes IP 66 - IK 10 - Nema 4

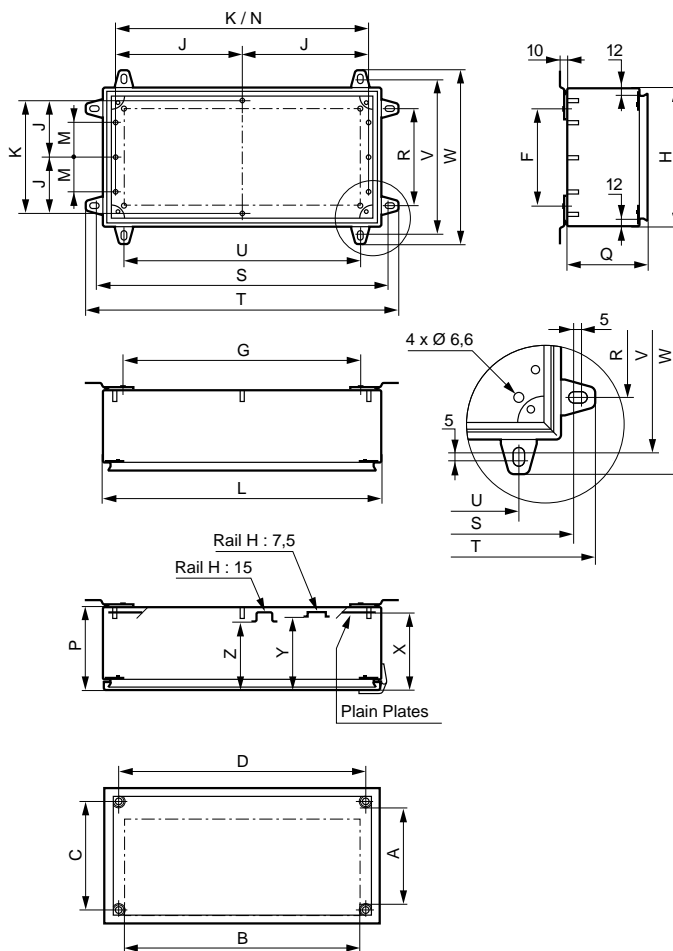
IP 66 to standard IEC 60529 (NFC 20-010)

IK 10 to standard IEC 62262 = NF EN 50102 (NFC 20-015) - Nema 4

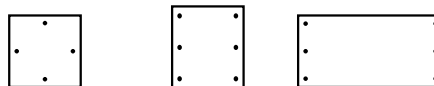
### Dimensions of metal boxes



### Dimensions of 304L Stainless Steel boxes



### Slots for pins



Cat. No. 356 50

Cat. No. 356 53

Cat. No. 356 56

Cat. No.	External Dimensions			Useful surface of cover fixing (mm)				Wall mounting		Accessories								Wall mounting dimensions						
	H	W	D	Q	A	B	C	D	E	F	G	J	K	M	N	X	Y	Z	R	S	T	U	V	W
356 00	150	80	76	88	88	107	107	-	90	90	-	114	-	-	61	55	47,5	90	170	200	90	170	200	-
356 02	150	200	80	76	88	138	107	157	-	90	140	-	164	-	-	61	55	47,5	90	220	250	140	170	200
356 05	150	300	120	116	88	238	107	257	-	90	240	-	264	-	-	101	95	87,5	90	320	350	240	170	200
356 03	200	200	80	76	138	138	157	157	-	140	140	-	164	-	-	61	55	47,5	140	220	250	140	220	350
356 04	200	200	120	116	138	138	157	157	-	140	140	-	164	-	-	101	95	87,5	140	220	250	140	220	250
356 07	200	300	120	116	138	238	157	257	-	140	240	-	264	-	-	101	95	87,5	140	320	350	240	220	250
356 10	200	400	120	116	138	338	157	357	-	140	340	-	364	-	-	101	95	87,5	140	420	450	340	220	250
356 14	200	500	120	116	138	438	157	457	-	140	440	-	464	-	-	101	95	87,5	140	520	550	440	220	250
356 08	300	300	120	116	238	238	257	257	-	240	240	-	264	-	-	101	95	87,5	140	320	350	240	320	350
356 15	300	500	120	116	238	438	257	457	-	240	440	-	464	-	-	101	95	87,5	240	520	550	440	320	350
356 12	400	400	120	116	338	338	357	357	-	340	340	-	364	-	-	101	95	87,5	340	420	450	340	420	450
356 17	200	600	120	116	138	538	157	-	278,5	140	540	-	564	-	-	101	95	87,5	140	620	650	540	220	250
356 18	300	600	120	116	238	538	257	-	278,5	240	540	-	564	-	-	101	95	87,5	240	620	650	540	320	350
356 19	400	600	120	116	338	538	357	-	278,5	340	540	-	564	-	-	101	95	87,5	340	620	650	540	420	450
356 22	400	800	120	116	338	738	357	-	378,5	340	740	-	764	-	-	101	95	87,5	340	820	850	740	420	450
356 50 (1)	150	150	80	76	88	88	107	107	-	90	90	57	114	-	-	70	64	56,5	90	170	200	90	170	200
356 53 (2)	200	200	120	116	138	138	157	157	-	140	140	-	-	50	164	110	104	96,5	140	220	250	140	220	250
356 56 (2)	200	400	120	116	138	338	157	357	-	140	340	-	-	50	364	110	104	96,5	140	420	450	340	220	250

(1) 4 pins, (2) 6 pins

Some items sold separately

For pack quantity, please refer to numerical index pages

For trade price, please see your local HPM Legrand representative for the current price list

## IP55 plastic boxes



359 40



358 01



359 41

## IP66 plastic boxes



350 44 with hinges Cat. No. 358 01



350 13



358 02  
horizontal or vertical position  
with set of 4 mounting legs

### IP 55 – IK 07 RAL 7035

Material: polypropylene box and polycarbonate transparent cover  
– halogen free

Temperature rating: -25° C to +40° C

Self-extinguishing 750° C

Conform to EN 60695 2-1

Detachable clip-on cover retainer except

310 x 240 and 360 x 270 boxes

Complete dimensions available on request

Sealable cover with 1/4 turn fixings

### IP 66 – IK 08 RAL 7016

– halogen free

Temperature rating: -25° C to + 80° C

Self-extinguishing 750° C

NF EN 60695 2-1

Detachable clip-on cover retainer except 310 x 240 and 360 x 270 boxes

Sealable cover with 1/4 turn fixing

Undrilled with smooth sides

#### Pack Cat. No. Weatherproof boxes class II

Pack	Cat. No.	Plain Cover	Transparent Cover	Normal internal dimensions H x W x D
1	921 27			80 x 80 x 45 mm
1	921 37			105 x 105 x 55 mm
1	921 38 (1)			105 x 105 x 55 mm
1	359 00 (1)		359 01	130 x 75 x 74 mm
1	359 30 (1)		359 31 (1)	130 x 130 x 74 mm
1	359 40 (1)		359 41 (1)	155 x 110 x 74 mm
1	359 50 (1)		359 51 (1)	180 x 140 x 86 mm
1	359 60 (1)			220 x 170 x 86 mm
1	921 22 (4)			
1	359 70 (1)		359 71 (1)	270 x 170 x 86 mm
1	359 80 (1)		359 81 (1)	310 x 240 x 124 mm
1	359 90 (1)		359 91 (1)	360 x 270 x 124 mm
1	350 58			359 x 365 x 154 mm
1	350 54			310 x 240 x 160 mm
1	350 43			265 x 174 x 154 mm

#### Accessories

**Metal mounting plates - 1.5mm thick  
For new model box size**

5	358 10	130 x 130 mm
5	358 11	155 x 110 mm
5	358 12	180 x 140 mm
5	358 13	220 x 170 mm
5	358 14	270 x 170 mm
5	358 15	310 x 240 mm
5	358 16	360 x 270 mm

**Set of 2 hinges for new model only  
(suitable for IP55/IP66)**

UV protected polyamide in dark grey (RAL 7016)

For box 130 x 130 mm to 270 x 170 mm

1	358 00	For box 130 x 130 mm to 270 x 170 mm
1	358 01	For box 310 x 240 mm to 360 x 270 mm

**Set of 4 wall lugs (suitable for IP55/IP66)**

New model only

Not suited for Cat. No. 359 00, 359 01 and 350 07

1	358 02	New model only Not suited for Cat. No. 359 00, 359 01 and 350 07
---	--------	---

#### Pack Cat. No. Weatherproof boxes class II

**Opaque cover  
Normal internal dimensions  
H x W x D**

1	350 07	130 x 75 x 74 mm
1	350 13 (1)	130 x 130 x 74 mm
1	350 17 (1)	155 x 110 x 74 mm
1	350 22 (1)	180 x 140 x 86 mm
1	350 28 (1)	220 x 170 x 86 mm
1	350 33 (2)	270 x 170 x 86 mm
1	350 44 (2)	310 x 240 x 124 mm
1	350 47 (2)	360 x 270 x 124 mm
1	350 58	359 x 365 x 154 mm
1	350 54	310 x 240 x 160 mm
1	350 43	265 x 174 x 154 mm
1	921 22 (2)	220 x 170 x 140 mm

#### Accessories

**Metal mounting plates - 1.5mm thick  
For new model box size**

5	358 10	130 x 130 mm
5	358 11	155 x 110 mm
5	358 12	180 x 140 mm
5	358 13	220 x 170 mm
5	358 14	270 x 170 mm
5	358 15	310 x 240 mm
5	358 16	360 x 270 mm

(1) Accepts Cat. No. 358 00 hinges, (2) Accepts Cat. No. 358 01 hinges,  
(3) With or without pre-cut knock-outs, (4) 4 Locks

# IP55 Plexo and junction boxes

# Connectors and terminal strips



921 00



921 37



340 33



342 19/17

## IP 55 - IK 07 Grey RAL 7035

Material: PVC box and polycarbonate transparent cover  
 Temperature rating: -20° C to +50° C  
 Self-extinguishing 960° C

Pack	Cat. No.	Plexo junction boxes
		2 or 4 internal points for Ø 5 mm screws Possible to fit cover partially while cables are installed
5	921 27	<b>Clip-on cover</b> Square weatherproof box 80 x 80 x 45mm (internal dimensions) With pre-cut knock-outs
		<b>Round weatherproof box</b> 60 x 40 (internal dimensions) With glands
5	921 00	<b>1/4 turn cover</b> Square weatherproof box IP55 - IK 07 105 x 105 x 55mm (internal dimensions)
5	921 37	With pre-cut knock-outs
5	921 38	Without pre-cut knock-outs

## Nybloc™ terminal strips

12 sections with captive screws  
 Supplied with screws open  
 Polypropylene - 25° to + 100° C (temperature)  
 Ambient temperature - 25° C to + 55° C

Pack	Cat. No.	Nominal connection (mm²)	Diameter Ø (mm)	I max. (A)
	<b>Black</b>			
10	342 11	2.5	2.5	24
10	342 13	6	3.5	41
10	342 15	10	4.5	57
10	342 17	16	5.5	76
10	342 19	25	7	101

Pack	Cat. No.	Non-shear line taps		
		Hexagonal head		
		Capacity per tap height (mm²)	Width of slot (mm)	Overall max. cable diam. (mm)
20	340 30	2 x 6	3.3	27
20	340 31	2 x 10	4.5	37
20	340 32	2 x 18	5.8	41
20	340 33	2 x 30	7.4	49
10	340 34	2 x 50	9.5	59