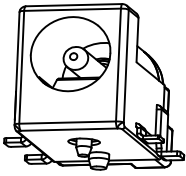


Operation: SMT/卧式 阻燃 DC 电源连接器 (Type-A)



LTEM NO.: DC-050-T25 (Series)

(L14.8×W8.9×H10.9 DC-CONNECTORS)



表面插装 DIP

側向操作 LATERAL

精密部品 NICETY

可靠 STABILIZE

適合環保 RoHS

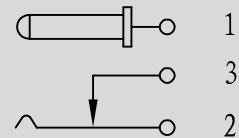
Technical parameter

PROJECT	LEVEL	A[better product]	B[average product]
Electrical Properties	Contact Rating	3A, 12V DC	
	Initial Contact Resistance	50mΩ max.	
Durable Performance	Insulation Resistance	100MΩ min.500V DC	Skey/PD: 100MΩ min.300V DC
	Withstand Voltage	500V AC for 1 minute	350 V AC for 1 minut
	There No Load	6,000 Cycles	5,000 Cycles
	Rated Load	5,000 Cycles	4,000 Cycles
Storage temp.		-35℃~+75℃(Operating Temp:)	
Operating Force		IF:35N MAX. (EF:10.0N MIN.)	
Heat Rrsistance		IR Reflow:235℃, 5sec. Manual:350℃, 3sec.	

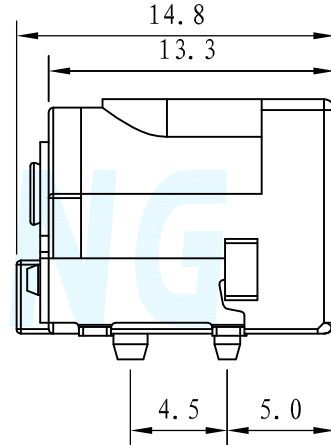
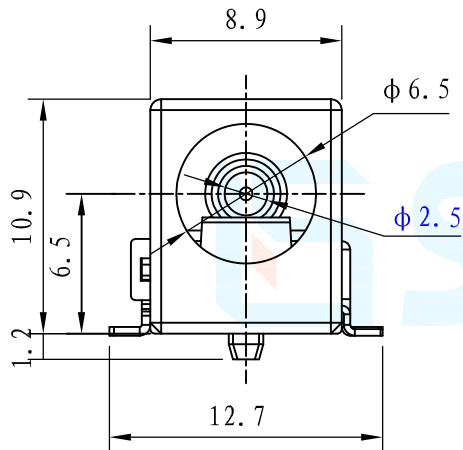
Material declaration

No.	NAME	Description
① A	基座	PBT 热塑性塑胶 [黑色]
② B	静态端子	黄铜 C2680/SPCC [镀锡 50u" min]
③ C	动态端子	不锈钢 SUS-304 [t=0.25 镀银]
④ D	连接片	黄铜 C2680/SPCC [镀锡 50u" min]
⑤ E	内芯针	H62 黄铜 Φ2.5 [镀锡 50u" min]

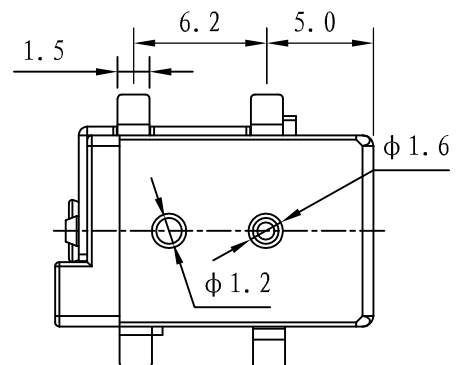
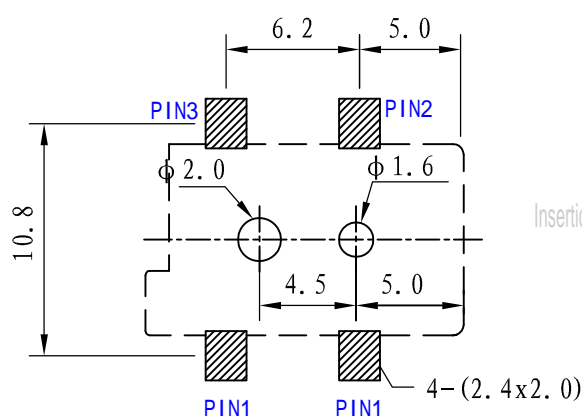
CIRCUIT DIAGRAM



Unit:mm



P.C.B LAYOUT



PIN Diam ● 2.50mm