

14mm Snap-in Insulated Potentiometers

RK1411G



Part Number

RK1411G – B 50K , L- 20 F /H=10

Taper

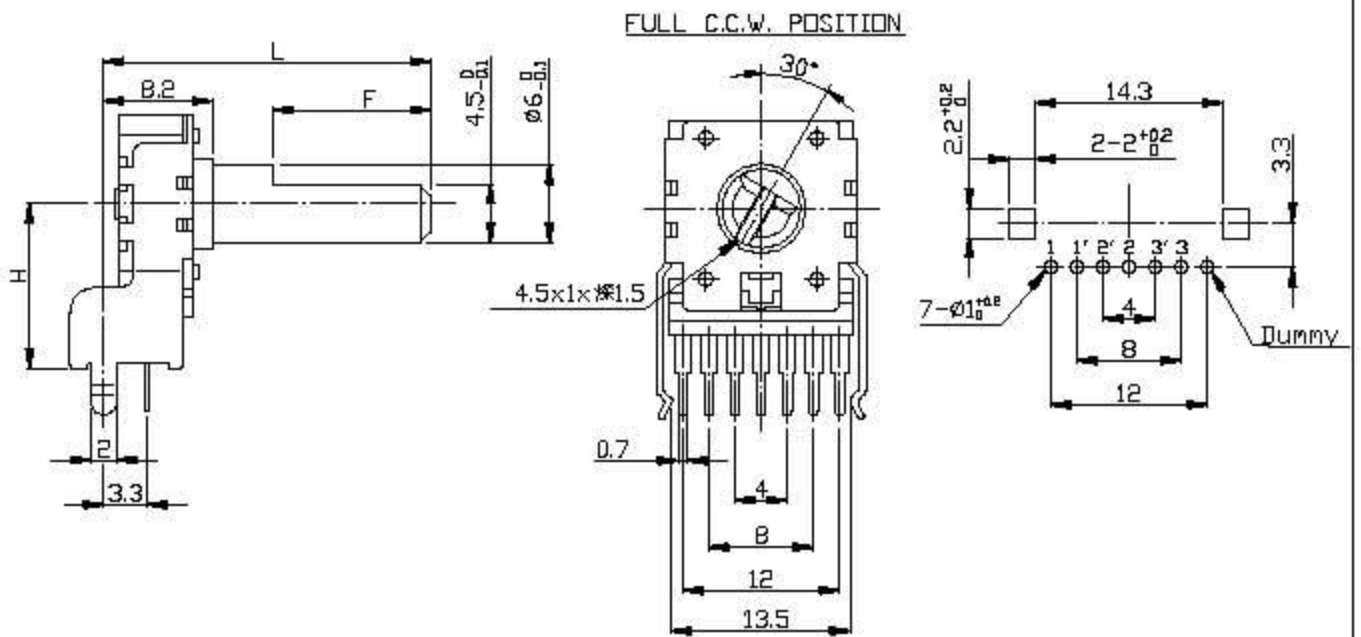
Shaft Length

High

Resistance value

Shaft Type

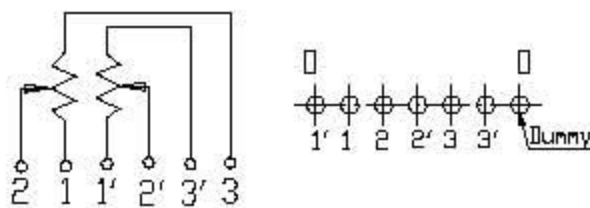
Dimensions



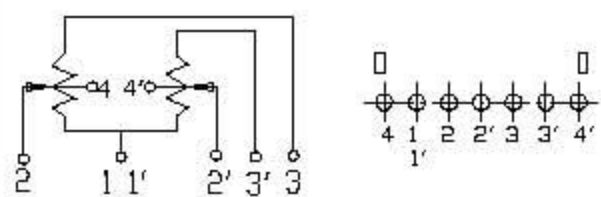
H	10	12.5
---	----	------

Circuit Explanation

Single Standard



Single Center TAP



14mm Snap-in Insulated Potentiometers

Shaft Type

KC Type							
L	15	20	22.5	25	27.5	30	32.5
A	4.5	7	12	12	12	12	12

F Type									
<p>Only L=15F</p>									
<p>Others</p>									
L	15	20	22.5	25	27.5	30	32.5	35	37.5
F	4.5	7	7	12	12	12	12	12	12

14mm Snap-in Insulated Potentiometers

General

Operating temperature	-10 °C ~ +70 °C
Manual soldering	300 °C Max 3sec

Electrical Characteristics

Total resistance	5KΩ ~ 500KΩ
Resistance tolerance	±20%
Resistance taper	A B C
Sliding noise	Less than 80 mV
Residual resistance	Term. 1~2 : Less than 20Ω Term. 2~3 : Less than 40Ω
Insulation resistance	More than 100MΩ at DC 250V
Rated power(W)	0.05W
Max. Operating voltage	AC 50V (for AC only)
Withstand voltage	1 Minute at AC 300 V
Gang error	0 ~ -40dB ≤ 3 dB

Mechanical Characteristics

Total rotational angle	300° ± 5°
Rotational torque	30 ~ 200 gf.cm
Shaft push-pull strength	8Kgf. Max
Rotational stopper strength	6Kgf.cm Min
Rotational life	15,000 Cycles.