

11mm Snap-in Insulated Potentiometers

RK1112N



Part Number

RK1112N – B 50K , L- 20 F

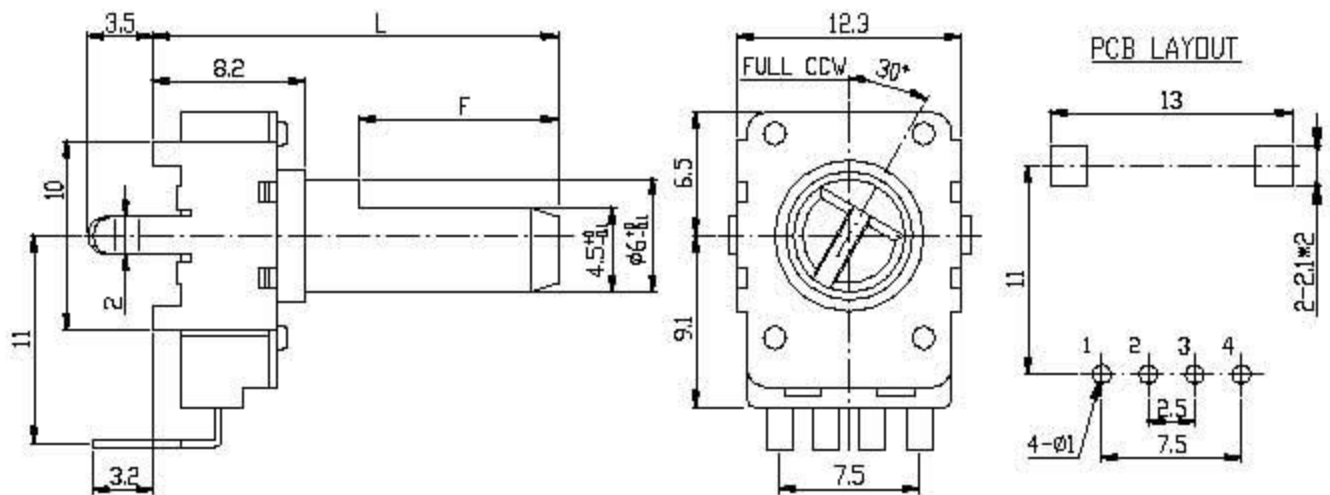
Taper

Shaft Length

Resistance value

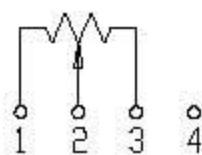
Shaft Type

Dimensions

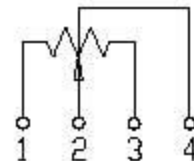


Circuit Explanation

Single Standard



Single Center TAP



11mm Snap-in Insulated Potentiometers

Shaft Type

KC Type							
L	15	20	22.5	25	27.5	30	32.5
A	4.5	7	12	12	12	12	12

F Type							
<div style="display: flex; justify-content: space-between;"> <div style="width: 20%;"> <p>Only L=15F</p> </div> <div style="width: 20%;"> <p>Others</p> </div> </div>							
L	15	20	22.5	25	27.5	30	32.5
F	4.5	7	7	12	12	12	12

11mm Snap-in Insulated Potentiometers

General

Operating temperature	-10 °C ~ +70 °C
Manual soldering	300 °C Max 3sec

Electrical Characteristics

Total resistance	5KΩ ~ 500KΩ
Resistance tolerance	±20%
Resistance taper	A B C
Sliding noise	Less than 80 mV
Residual resistance	Term. 1~2 : Less than 20Ω Term. 2~3 : Less than 40Ω
Insulation resistance	More than 100MΩ at DC 500V
Rated power(W)	0.05W
Max. Operating voltage	AC 50V / DC 20V
Withstand voltage	1 Minute at AC 250 V

Mechanical Characteristics

Total rotational angle	300° ± 5°
Rotational torque	30 ~ 200 gf.cm
Shaft push-pull strength	5Kgf. Max
Rotational stopper strength	3Kgf.cm Min
Rotational life	15,000 Cycles.