

11mm Snap-in Insulated Potentiometers

RK1111N



Part Number

RK1111N – B 50K , L- 20 F /H=10

Taper

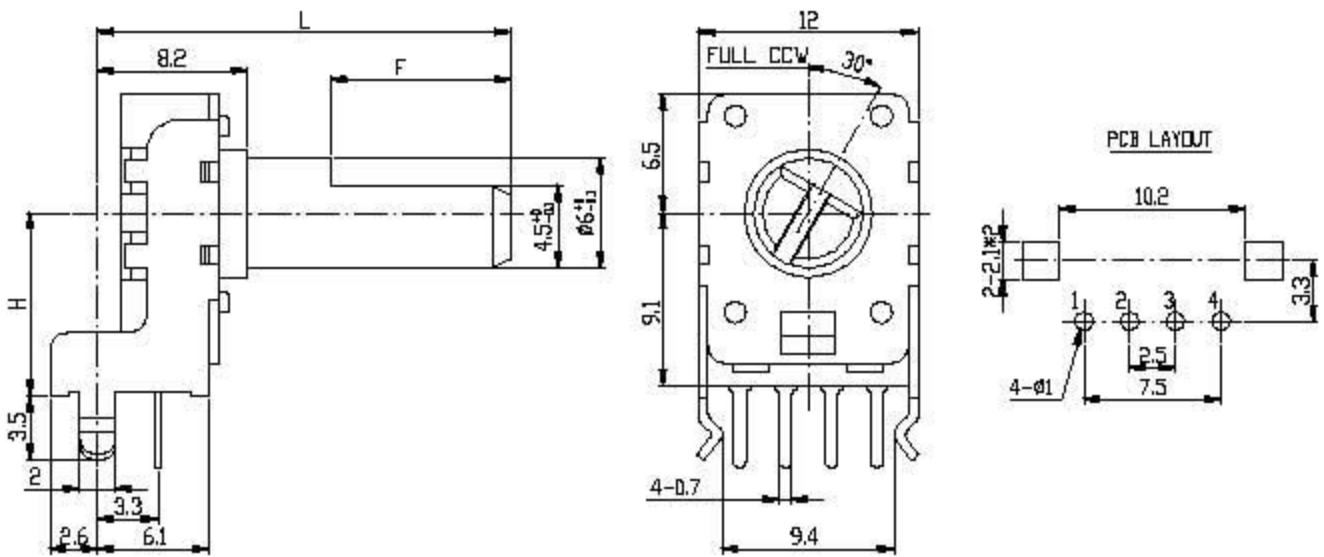
Shaft Length

High

Resistance value

Shaft Type

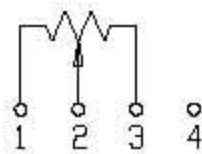
Dimensions



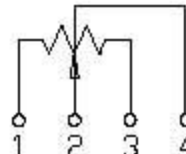
| | | |
|---|----|------|
| H | 10 | 12.5 |
|---|----|------|

Circuit Explanation

Single Standard

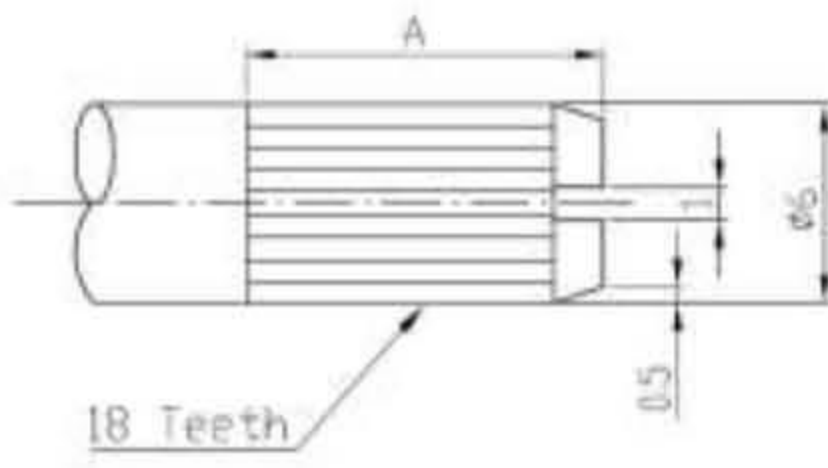


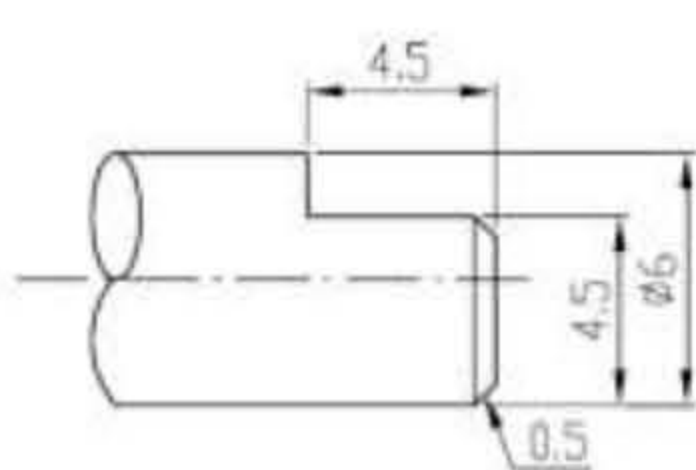
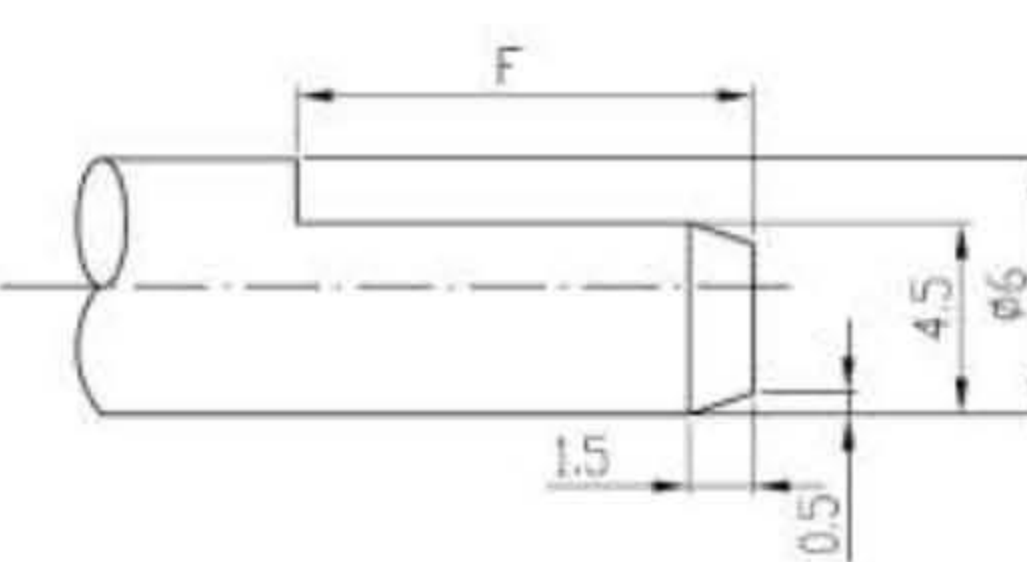
Single Center TAP



11mm Snap-in Insulated Potentiometers

Shaft Type

| KC Type | | | | | | | |
|---|-----|----|------|----|------|----|------|
|  | | | | | | | |
| L | 15 | 20 | 22.5 | 25 | 27.5 | 30 | 32.5 |
| A | 4.5 | 7 | 12 | 12 | 12 | 12 | 12 |

| F Type | | | | | | | |
|---|-----|----|------|----|------|----|------|
| <div style="display: flex; justify-content: space-between; align-items: center;"> <div style="width: 20%;">Only L=15F</div> <div style="width: 60%; text-align: center;">  </div> </div> | | | | | | | |
| <div style="display: flex; justify-content: space-between; align-items: center;"> <div style="width: 20%;">Others</div> <div style="width: 60%; text-align: center;">  </div> </div> | | | | | | | |
| L | 15 | 20 | 22.5 | 25 | 27.5 | 30 | 32.5 |
| F | 4.5 | 7 | 7 | 12 | 12 | 12 | 12 |

11mm Snap-in Insulated Potentiometers

General

| | |
|-----------------------|-----------------|
| Operating temperature | -10 °C ~ +70 °C |
| Manual soldering | 300 °C Max 3sec |

Electrical Characteristics

| | |
|------------------------|--|
| Total resistance | 5KΩ ~ 500KΩ |
| Resistance tolerance | ±20% |
| Resistance taper | A B C |
| Sliding noise | Less than 80 mV |
| Residual resistance | Term. 1~2 : Less than 20Ω Term. 2~3 : Less than 40Ω |
| Insulation resistance | More than 100MΩ at DC 500V |
| Rated power(W) | 0.05W |
| Max. Operating voltage | AC 50V / DC 20V |
| Withstand voltage | 1 Minute at AC 250 V |

Mechanical Characteristics

| | |
|-----------------------------|----------------|
| Total rotational angle | 300° ± 5° |
| Rotational torque | 30 ~ 200 gf.cm |
| Shaft push-pull strength | 5Kgf. Max |
| Rotational stopper strength | 3Kgf.cm Min |
| Rotational life | 15,000 Cycles. |