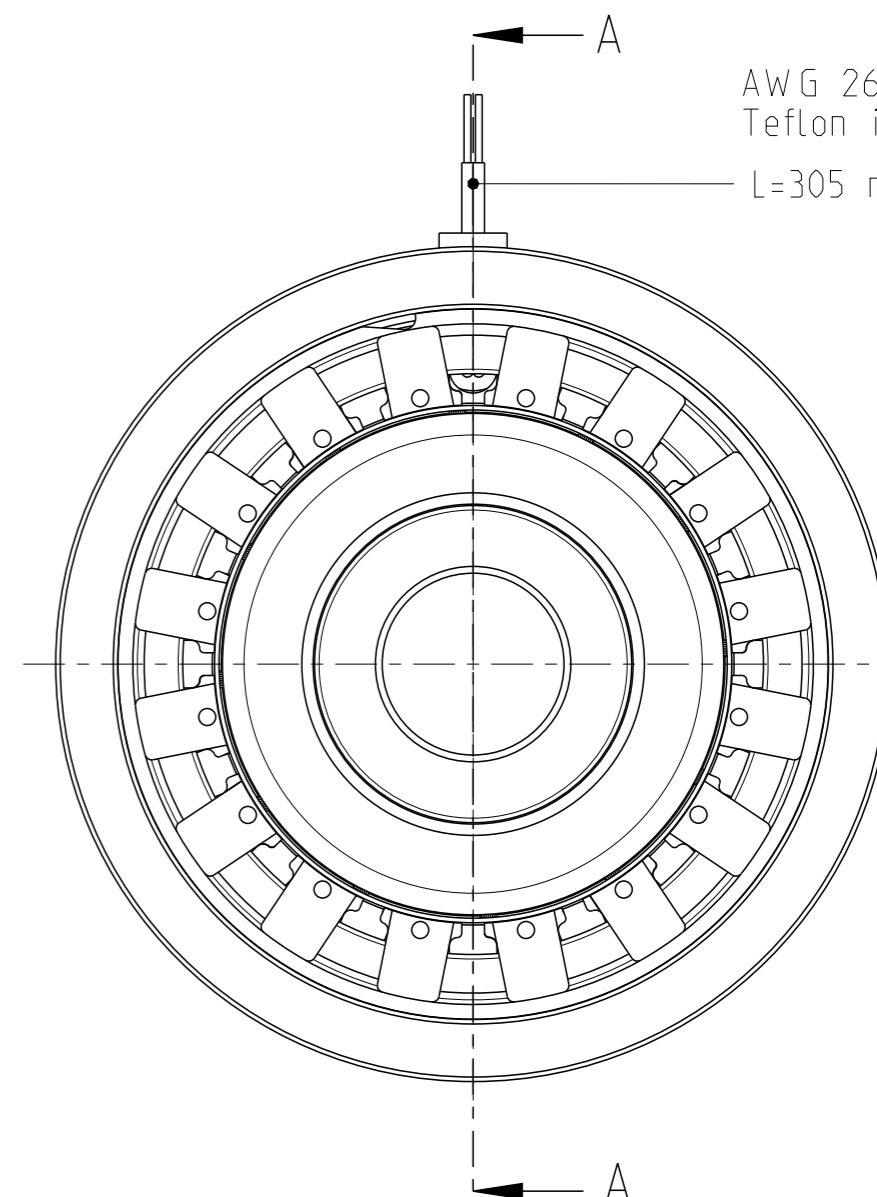
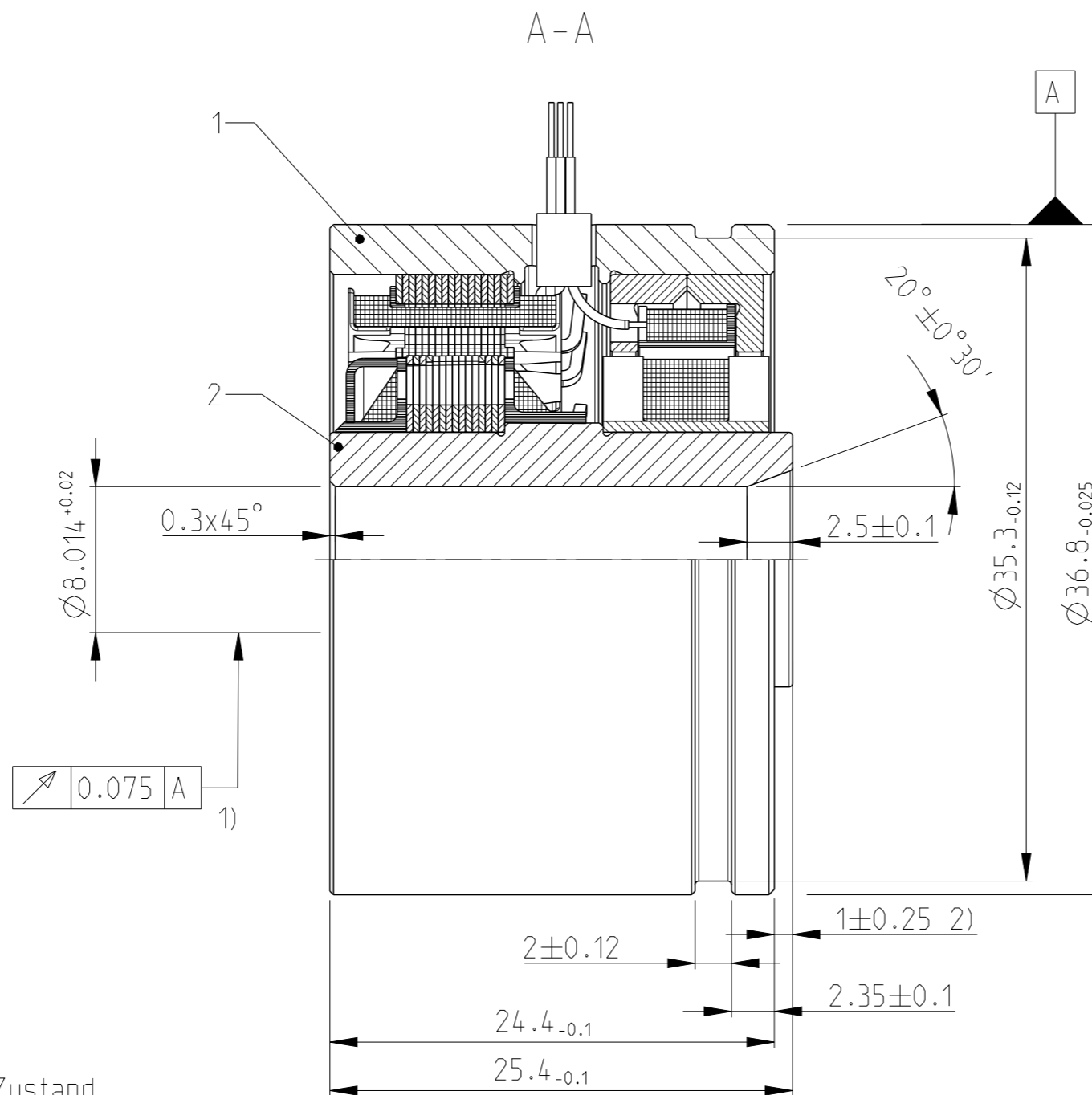
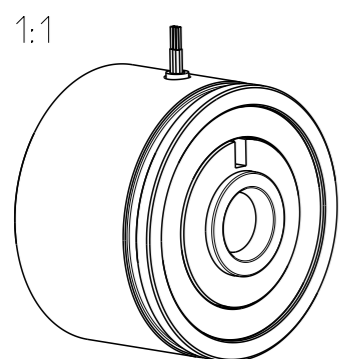


REVISIONS

P	LTR	DESCRIPTION	DATE	DWN	APVD
	C1	INITIAL RELEASE	01JULY2015	GCM	PL

Signal	Aderfarbe
S1	rot
S2	gelb
S3	schwarz
S4	blau
R1	rot-weiss
R2	gelb-weiss

Anschlußleitung über min.200mm Länge paarweise verdreht, bei einer Schlaglänge kleiner 12,5mm.



AWG 26,
Teflon isoliert
L=305 min.

- 1) Gesamtschlag im eingebauten Zustand
- 2) Axialversatz

Ersetzt / replace V23401-D3002-B301

REVISION OF EACH ASSY NO. (WHEN BLANK, USE DWG. REVISION)	PARTNUMBER	DESCRIPTION	ITEM NO
1	1-1824881-0	Rotor kpl. / Bauform B3 (12N)	2
1	1-1824766-0	Gehäuse kpl. / Bauform D3	1
1-1824919-0	PARTNUMBER	DESCRIPTION	ITEM NO
PARTS LIST			

DIMENSIONS:		TOLERANCES UNLESS OTHERWISE SPECIFIED:	
mm			
	0 PLC	±	
	1 PLC	±	
	2 PLC	±	
	3 PLC	±	
	4 PLC	±	
	ANGLES	±	±1°
MATERIAL		FINISH	
-		-	
-		-	

DWN	GANESH C M	01JULY2015
CHK	P. LERCHENFELD	01JULY2015
APVD	P. LERCHENFELD	01JULY2015
PRODUCT SPEC		
APPLICATION SPEC		
WEIGHT		
Customer Drawing		

STE TE Connectivity		NAME	
		Massbild Hohlwellendrehmelder Gr.15 Dimensional Drawing Resolver Sz.15 V23401-D3002-B301	
SIZE	CAGE CODE	DRAWING NO	RESTRICTED TO
A3	00779	©=2-1393047-2	-
SCALE	SHEET	1 OF 1	REV C1
3:1			

Mouser Electronics

Authorized Distributor

Click to View Pricing, Inventory, Delivery & Lifecycle Information:

[TE Connectivity:](#)

[V23401D3002B301](#)