

TXS0104E 4-Bit Bidirectional Voltage-Level Translator For Open-Drain and Push-Pull Applications

1 Features

- No Direction-Control Signal Needed
- Max Data Rates
 - 24 Mbps (Push Pull)
 - 2 Mbps (Open Drain)
- Available in the Texas Instruments NanoFree™ Package
- 1.65 V to 3.6 V on A port and 2.3 V to 5.5 V on B port ($V_{CCA} \leq V_{CCB}$)
- No Power-Supply Sequencing Required – V_{CCA} or V_{CCB} Can Be Ramped First
- Latch-Up Performance Exceeds 100 mA Per JESD 78, Class II
- ESD Protection Exceeds JESD 22
 - A Port
 - 2000-V Human-Body Model (A114-B)
 - 200-V Machine Model (A115-A)
 - 1000-V Charged-Device Model (C101)
 - B Port
 - 15-kV Human-Body Model (A114-B)
 - 200-V Machine Model (A115-A)
 - 1000-V Charged-Device Model (C101)
- IEC 61000-4-2 ESD (B Port)
 - ±8-kV Contact Discharge
 - ±10-kV Air-Gap Discharge

2 Applications

- Handset
- Smartphone
- Tablet
- Desktop PC

3 Description

This 4-bit non-inverting translator uses two separate configurable power-supply rails. The A port is designed to track V_{CCA} . V_{CCA} accepts any supply voltage from 1.65 V to 3.6 V. V_{CCA} must be less than or equal to V_{CCB} . The B port is designed to track V_{CCB} . V_{CCB} accepts any supply voltage from 2.3 V to 5.5 V. This allows for low-voltage bidirectional translation between any of the 1.8-V, 2.5-V, 3.3-V, and 5-V voltage nodes.

When the output-enable (OE) input is low, all outputs are placed in the high-impedance state.

The TXS0104E is designed so that the OE input circuit is supplied by V_{CCA} .

To ensure the high-impedance state during power up or power down, OE should be tied to GND through a pulldown resistor; the minimum value of the resistor is determined by the current-sourcing capability of the driver.

Device Information⁽¹⁾

| PART NUMBER | PACKAGE | BODY SIZE (NOM) |
|-------------|------------|-------------------|
| TXS0104E | SOIC (14) | 8.65 mm x 3.91 mm |
| | TSSOP (14) | 5.00 mm x 4.40 mm |
| | BGA (12) | 2.00 mm x 2.50 mm |
| | VQFN (14) | 3.50 mm x 3.50 mm |
| | DSBGA (12) | 1.90 mm x 1.90 mm |

(1) For all available packages, see the orderable addendum at the end of the datasheet.

Transfer Characteristics of an N-Channel Transistor

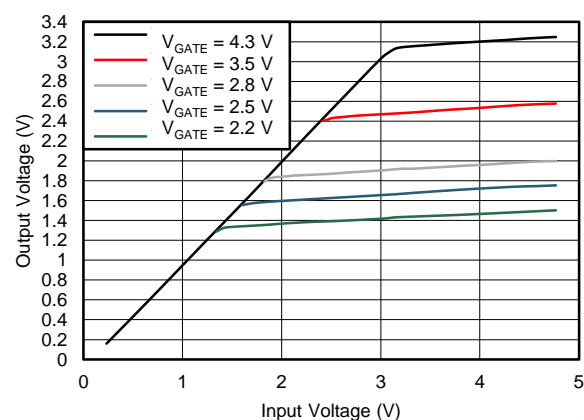


Table of Contents

| | | | |
|---|-----------|--|-----------|
| 1 Features | 1 | 7.1 Load Circuits | 13 |
| 2 Applications | 1 | 7.2 Voltage Waveforms | 14 |
| 3 Description | 1 | 8 Detailed Description | 15 |
| 4 Revision History | 2 | 8.1 Overview | 15 |
| 5 Pin Configuration and Functions | 3 | 8.2 Functional Block Diagram | 15 |
| 6 Specifications | 5 | 8.3 Feature Description | 16 |
| 6.1 Absolute Maximum Ratings | 5 | 8.4 Device Functional Modes | 16 |
| 6.2 Handling Ratings | 5 | 9 Application and Implementation | 17 |
| 6.3 Recommended Operating Conditions | 6 | 9.1 Application Information | 17 |
| 6.4 Thermal Information: GXU, ZXU, and YZT | 6 | 9.2 Typical Application | 17 |
| 6.5 Thermal Information: D, PW, and RGY | 6 | 10 Power Supply Recommendations | 19 |
| 6.6 Electrical Characteristics | 7 | 11 Layout | 19 |
| 6.7 Timing Requirements: $V_{CCA} = 1.8\text{ V} \pm 0.15\text{ V}$ | 8 | 11.1 Layout Guidelines | 19 |
| 6.8 Timing Requirements: $V_{CCA} = 2.5\text{ V} \pm 0.2\text{ V}$ | 8 | 11.2 Layout Example | 19 |
| 6.9 Timing Requirements: $V_{CCA} = 3.3\text{ V} \pm 0.3\text{ V}$ | 8 | 12 Device and Documentation Support | 20 |
| 6.10 Switching Characteristics: $V_{CCA} = 1.8\text{ V} \pm 0.15\text{ V}$.. | 9 | 12.1 Trademarks | 20 |
| 6.11 Switching Characteristics: $V_{CCA} = 2.5\text{ V} \pm 0.2\text{ V}$.. | 10 | 12.2 Electrostatic Discharge Caution | 20 |
| 6.12 Switching Characteristics: $V_{CCA} = 3.3\text{ V} \pm 0.3\text{ V}$.. | 11 | 12.3 Glossary | 20 |
| 6.13 Typical Characteristics | 12 | 13 Mechanical, Packaging, and Orderable Information | 20 |
| 7 Parameter Measurement Information | 13 | | |

4 Revision History

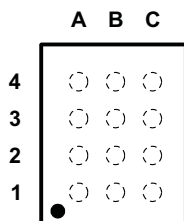
NOTE: Page numbers for previous revisions may differ from page numbers in the current version.

| Changes from Revision E (August 2013) to Revision F | Page |
|--|-------------|
| • Added <i>Pin Configuration and Functions</i> section, <i>Handling Rating</i> table, <i>Feature Description</i> section, <i>Device Functional Modes</i> , <i>Application and Implementation</i> section, <i>Power Supply Recommendations</i> section, <i>Layout</i> section, <i>Device and Documentation Support</i> section, and <i>Mechanical, Packaging, and Orderable Information</i> section | 1 |
| • Deleted the Package thermal impedance information from the Absolute max ratings table into the Thermal Information table. Moved the T_{sig} row into the new Handling Ratings table. | 5 |
| • Changed the last 2 rows of MIN MAX (24 MAX and 2 MAX) to the MIN columns, in the first switching characteristics table | 9 |

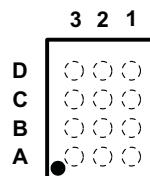
| Changes from Revision D (May 2008) to Revision E | Page |
|---|-------------|
| • Deleted the ordering table | 1 |

5 Pin Configuration and Functions

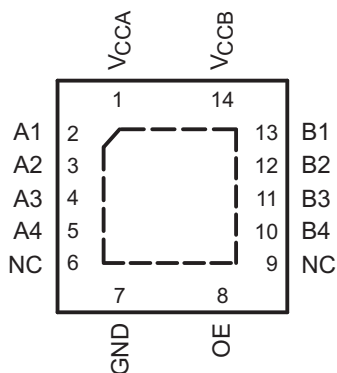
GXU and ZXU Package
12-Pin MICROSTAR JUNIOR
Top View



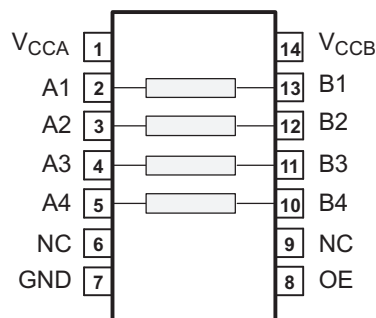
YZT Package
12-Pin DSBGA
Top View



RGY Package
14-Pin VQFN
Top View



D and PW Package
14-Pin SOIC
Top View



NOTE: NC - No internal connection

NOTE: NC - No internal connection

Pin Functions: D, PW, or RGY

| PIN | | TYPE | DESCRIPTION |
|-------------|-----|------|---|
| NAME | NO. | | |
| A1 | 2 | I/O | Input/output A1. Referenced to V_{CCA} . |
| A2 | 3 | I/O | Input/output A2. Referenced to V_{CCA} . |
| A3 | 4 | I/O | Input/output A3. Referenced to V_{CCA} . |
| A4 | 5 | I/O | Input/output A4. Referenced to V_{CCA} . |
| B1 | 13 | I/O | Input/output B1. Referenced to V_{CCB} . |
| B2 | 12 | I/O | Input/output B2. Referenced to V_{CCB} . |
| B3 | 11 | I/O | Input/output B3. Referenced to V_{CCB} . |
| B4 | 10 | I/O | Input/output B4. Referenced to V_{CCB} . |
| GND | 7 | S | Ground |
| NC | 6 | N/A | No connection. Not internally connected. |
| NC | 9 | N/A | No connection. Not internally connected. |
| OE | 8 | I | 3-state output-mode enable. Pull OE low to place all outputs in 3-state mode. Referenced to V_{CCA} . |
| V_{CCA} | 1 | S | A-port supply voltage. $1.65\text{ V} \leq V_{CCA} \leq 3.6\text{ V}$ and $V_{CCA} \leq V_{CCB}$. |
| V_{CCB} | 14 | S | B-port supply voltage. $2.3\text{ V} \leq V_{CCB} \leq 5.5\text{ V}$. |
| Thermal Pad | – | – | For the RGY package, the exposed center thermal pad must be connected to ground |

Pin Functions: BGA

| PIN | | TYPE | DESCRIPTION |
|-----------|-----|------|---|
| NAME | NO. | | |
| A1 | A1 | I/O | Input/output A1. Referenced to V_{CCA} . |
| A2 | A2 | I/O | Input/output A2. Referenced to V_{CCA} . |
| A3 | A3 | I/O | Input/output A3. Referenced to V_{CCA} . |
| A4 | A4 | I/O | Input/output A4. Referenced to V_{CCA} . |
| B1 | C1 | I/O | Input/output B1. Referenced to V_{CCB} . |
| B2 | C2 | I/O | Input/output B2. Referenced to V_{CCB} . |
| B3 | C3 | I/O | Input/output B3. Referenced to V_{CCB} . |
| B4 | C4 | I/O | Input/output B4. Referenced to V_{CCB} . |
| GND | B4 | S | Ground |
| NC | – | N/A | No connection. Not internally connected. |
| NC | – | N/A | No connection. Not internally connected. |
| OE | B3 | I | 3-state output-mode enable. Pull OE low to place all outputs in 3-state mode. Referenced to V_{CCA} . |
| V_{CCA} | B2 | S | A-port supply voltage. $1.65\text{ V} \leq V_{CCA} \leq 3.6\text{ V}$ and $V_{CCA} \leq V_{CCB}$. |
| V_{CCB} | B1 | S | B-port supply voltage. $2.3\text{ V} \leq V_{CCB} \leq 5.5\text{ V}$. |

Pin Functions: DSBGA

| PIN | | TYPE | DESCRIPTION |
|-----------|-----|------|---|
| NAME | NO. | | |
| A1 | A3 | I/O | Input/output A1. Referenced to V_{CCA} . |
| A2 | B3 | I/O | Input/output A2. Referenced to V_{CCA} . |
| A3 | C3 | I/O | Input/output A3. Referenced to V_{CCA} . |
| A4 | D3 | I/O | Input/output A4. Referenced to V_{CCA} . |
| B1 | A1 | I/O | Input/output B1. Referenced to V_{CCB} . |
| B2 | B1 | I/O | Input/output B2. Referenced to V_{CCB} . |
| B3 | C1 | I/O | Input/output B3. Referenced to V_{CCB} . |
| B4 | D1 | I/O | Input/output B4. Referenced to V_{CCB} . |
| GND | D2 | S | Ground |
| NC | – | N/A | No connection. Not internally connected. |
| NC | – | N/A | No connection. Not internally connected. |
| OE | C2 | I | 3-state output-mode enable. Pull OE low to place all outputs in 3-state mode. Referenced to V_{CCA} . |
| V_{CCA} | B2 | S | A-port supply voltage. $1.65\text{ V} \leq V_{CCA} \leq 3.6\text{ V}$ and $V_{CCA} \leq V_{CCB}$. |
| V_{CCB} | A2 | S | B-port supply voltage. $2.3\text{ V} \leq V_{CCB} \leq 5.5\text{ V}$. |

6 Specifications

6.1 Absolute Maximum Ratings⁽¹⁾

over operating free-air temperature range (unless otherwise noted)

| | | | MIN | MAX | UNIT |
|-----------|---|-----------|------|-----------------|------|
| V_{CCA} | Supply voltage range | | -0.5 | 4.6 | V |
| V_{CCB} | | | -0.5 | 6.5 | |
| V_I | Input voltage range ⁽²⁾ | A port | -0.5 | 4.6 | V |
| | | B port | -0.5 | 6.5 | |
| V_O | Voltage range applied to any output in the high-impedance or power-off state ⁽²⁾ | A port | -0.5 | 4.6 | V |
| | | B port | -0.5 | 6.5 | |
| V_O | Voltage range applied to any output in the high or low state ^{(2) (3)} | A port | -0.5 | $V_{CCA} + 0.5$ | V |
| | | B port | -0.5 | $V_{CCB} + 0.5$ | |
| I_{IK} | Input clamp current | $V_I < 0$ | | -50 | mA |
| I_{OK} | Output clamp current | $V_O < 0$ | | -50 | mA |
| I_O | Continuous output current | | -50 | 50 | mA |
| | Continuous current through each V_{CCA} , V_{CCB} , or GND | | -100 | 100 | mA |

- (1) Stresses beyond those listed under Absolute Maximum Ratings may cause permanent damage to the device. These are stress ratings only, and functional operation of the device at these or any other conditions beyond those indicated under Recommended Operating Conditions is not implied. Exposure to absolute-maximum-rated conditions for extended periods may affect device reliability.
- (2) The input and output negative-voltage ratings may be exceeded if the input and output current ratings are observed.
- (3) The value of V_{CCA} and V_{CCB} are provided in the recommended operating conditions table.

6.2 Handling Ratings

| | | | MIN | MAX | UNIT |
|-------------|---------------------------|--|--------|------|------|
| T_{stg} | Storage temperature range | | -65 | 150 | °C |
| $V_{(ESD)}$ | Electrostatic discharge | Human body model (HBM), per ANSI/ESDA/JEDEC JS-001, all pins ⁽¹⁾ | A Port | 2000 | V |
| | | | B Port | 15 | kV |
| | | Charged device model (CDM), per JEDEC specification JESD22-C101, all pins ⁽²⁾ | A Port | 1000 | V |
| | | | B Port | | |
| | | Machine model (MM) | A Port | 200 | V |
| | | | B Port | | |

- (1) JEDEC document JEP155 states that 500-V HBM allows safe manufacturing with a standard ESD control process.
- (2) JEDEC document JEP157 states that 250-V CDM allows safe manufacturing with a standard ESD control process.

6.3 Recommended Operating Conditions⁽¹⁾⁽²⁾

| | | V_{CCA} | V_{CCB} | MIN | MAX | UNIT |
|---------------------|------------------------------------|--------------------------------|----------------|-----------------|-----------------------|------|
| V_{CCA} | Supply voltage ⁽³⁾ | | | 1.65 | 3.6 | V |
| V_{CCB} | | | | 2.3 | 5.5 | |
| V_{IH} | High-level input voltage | A-port I/Os | 2.3 V to 5.5 V | $V_{CCI} - 0.2$ | V_{CCI} | V |
| | | | | $V_{CCI} - 0.4$ | V_{CCI} | |
| | | B-port I/Os | 2.3 V to 5.5 V | $V_{CCI} - 0.4$ | V_{CCI} | |
| OE input | $V_{CCA} \times 0.65$ | 5.5 | | | | |
| V_{IL} | Low-level input voltage | A-port I/Os | 2.3 V to 5.5 V | 0 | 0.15 | V |
| | | B-port I/Os | | 0 | 0.15 | |
| | | OE input | | 0 | $V_{CCA} \times 0.35$ | |
| $\Delta t/\Delta v$ | Input transition rise or fall rate | A-port I/Os, push-pull driving | 2.3 V to 5.5 V | | 10 | ns/V |
| | | B-port I/Os, push-pull driving | | | 10 | |
| | | Control input | | | 10 | |
| T_A | Operating free-air temperature | | | -40 | 85 | °C |

(1) V_{CCI} is the supply voltage associated with the input port.

(2) V_{CCO} is the supply voltage associated with the output port.

(3) V_{CCA} must be less than or equal to V_{CCB} , and V_{CCA} must not exceed 3.6 V.

6.4 Thermal Information: GXU, ZXU, and YZT

| THERMAL METRIC ⁽¹⁾ | | TXS0104E | | UNIT |
|-------------------------------|--|-----------------------------|----------|------|
| | | GXU/ZXU (12) ⁽²⁾ | YZT (12) | |
| $R_{\theta JA}$ | Junction-to-ambient thermal resistance | 132.0 | 89.2 | °C/W |
| $R_{\theta JC(top)}$ | Junction-to-case (top) thermal resistance | 98.4 | 0.9 | |
| $R_{\theta JB}$ | Junction-to-board thermal resistance | 68.7 | 14.4 | |
| Ψ_{JT} | Junction-to-top characterization parameter | 3.1 | 3.0 | |
| Ψ_{JB} | Junction-to-board characterization parameter | 68.2 | 14.4 | |

(1) For more information about traditional and new thermal metrics, see the *IC Package Thermal Metrics* application report, [SPRA953](#).

(2) The package thermal impedance is calculated in accordance with JESD 51-7.

6.5 Thermal Information: D, PW, and RGY

| THERMAL METRIC ⁽¹⁾ | | TXS0104E | | | UNIT |
|-------------------------------|--|----------------------|-----------------------|------------------------|------|
| | | D(14) ⁽¹⁾ | PW(14) ⁽²⁾ | RGY(14) ⁽³⁾ | |
| $R_{\theta JA}$ | Junction-to-ambient thermal resistance | 90.4 | 120.1 | 56.1 | °C/W |
| $R_{\theta JC(top)}$ | Junction-to-case (top) thermal resistance | 50.1 | 49.4 | 68.8 | |
| $R_{\theta JB}$ | Junction-to-board thermal resistance | 45.0 | 61.8 | 32.1 | |
| Ψ_{JT} | Junction-to-top characterization parameter | 14.4 | 6.2 | 3.1 | |
| Ψ_{JB} | Junction-to-board characterization parameter | 44.7 | 61.2 | 32.3 | |
| $R_{\theta JC(bot)}$ | Junction-to-case (bottom) thermal resistance | – | – | 12.8 | |

(1) For more information about traditional and new thermal metrics, see the *IC Package Thermal Metrics* application report, [SPRA953](#).

(2) The package thermal impedance is calculated in accordance with JESD 51-7.

(3) The package thermal impedance is calculated in accordance with JESD 51-5.

6.6 Electrical Characteristics

 over recommended operating free-air temperature range (unless otherwise noted) ⁽¹⁾⁽²⁾⁽³⁾

| | TEST CONDITIONS | V _{CCA} | V _{CCB} | T _A = 25°C | | | T _A = 25°C to 85°C | | UNIT |
|-------------------------------------|---|--|------------------|-----------------------|-----|-----|-------------------------------|-----|------|
| | | | | MIN | TYP | MAX | MIN | MAX | |
| V _{OHA} | I _{OH} = -20 μA, V _{IB} ≥ V _{CCB} - 0.4 V | 1.65 V to 3.6 V | 2.3 V to 5.5 V | | | | V _{CCA} × 0.8 | | V |
| V _{OLA} | I _{OL} = 1 mA, V _{IB} ≤ 0.15 V | 1.65 V to 3.6 V | 2.3 V to 5.5 V | | | | 0.4 | | V |
| V _{OHB} | I _{OH} = -20 μA, V _{IA} ≥ V _{CCA} - 0.2 V | 1.65 V to 3.6 V | 2.3 V to 5.5 V | | | | V _{CCB} × 0.8 | | V |
| V _{OLB} | I _{OL} = 1 mA, V _{IA} ≤ 0.15 V | 1.65 V to 3.6 V | 2.3 V to 5.5 V | | | | 0.4 | | V |
| I _I | OE | V _I = V _{CCI} or GND | 1.65 V to 3.6 V | 2.3 V to 5.5 V | -1 | 1 | -2 | 2 | μA |
| I _{OZ} | A or B port | OE = V _{IL} | 1.65 V to 3.6 V | 2.3 V to 5.5 V | -1 | 1 | -2 | 2 | μA |
| I _{CCA} | V _I = V _O = Open, I _O = 0 | 1.65 V to V _{CCB} | 2.3 V to 5.5 V | | | | 2.4 | | μA |
| | | 3.6 V | 0 | | | | 2.2 | | |
| | | 0 | 5.5 V | | | | -1 | | |
| I _{CCB} | V _I = V _O = Open, I _O = 0 | 1.65 V to V _{CCB} | 2.3 V to 5.5 V | | | | 12 | | μA |
| | | 3.6 V | 0 | | | | -1 | | |
| | | 0 | 5.5 V | | | | 1 | | |
| I _{CCA} + I _{CCB} | V _I = V _O = Open, I _O = 0 | 1.65 V to V _{CCB} | 2.3 V to 5.5 V | | | | 14.4 | | μA |
| C _I | OE | | 3.3 V | 3.3 V | | 2.5 | 3.5 | | pF |
| C _{io} | A port | | 3.3 V | 3.3 V | | 5 | 6.5 | | pF |
| | B port | | | | | 12 | 16.5 | | |

- (1) V_{CCI} is the supply voltage associated with the input port.
- (2) V_{CCO} is the supply voltage associated with the output port.
- (3) V_{CCA} must be less than or equal to V_{CCB}, and V_{CCA} must not exceed 3.6 V.

6.7 Timing Requirements: $V_{CCA} = 1.8\text{ V} \pm 0.15\text{ V}$

 over recommended operating free-air temperature range, $V_{CCA} = 1.8\text{ V} \pm 0.15\text{ V}$ (unless otherwise noted)

| | | | $V_{CCB} = 2.5\text{ V} \pm 0.2\text{ V}$ | | $V_{CCB} = 3.3\text{ V} \pm 0.3\text{ V}$ | | $V_{CCB} = 5\text{ V} \pm 0.5\text{ V}$ | | UNIT |
|-----------|--------------------|--------------------|---|-----|---|-----|---|-----|------|
| | | | MIN | MAX | MIN | MAX | MIN | MAX | |
| Data rate | Push-pull driving | | 24 | | 24 | | 24 | | Mbps |
| | Open-drain driving | | 2 | | 2 | | 2 | | |
| t_w | Pulse duration | Push-pull driving | 41 | | 41 | | 41 | | ns |
| | | Open-drain driving | 500 | | 500 | | 500 | | |
| | | Data inputs | | | | | | | |

6.8 Timing Requirements: $V_{CCA} = 2.5\text{ V} \pm 0.2\text{ V}$

 over recommended operating free-air temperature range, $V_{CCA} = 2.5\text{ V} \pm 0.2\text{ V}$ (unless otherwise noted)

| | | | $V_{CCB} = 2.5\text{ V} \pm 0.2\text{ V}$ | | $V_{CCB} = 3.3\text{ V} \pm 0.3\text{ V}$ | | $V_{CCB} = 5\text{ V} \pm 0.5\text{ V}$ | | UNIT |
|-----------|--------------------|--------------------|---|-----|---|-----|---|-----|------|
| | | | MIN | MAX | MIN | MAX | MIN | MAX | |
| Data rate | Push-pull driving | | 24 | | 24 | | 24 | | Mbps |
| | Open-drain driving | | 2 | | 2 | | 2 | | |
| t_w | Pulse duration | Push-pull driving | 41 | | 41 | | 41 | | ns |
| | | Open-drain driving | 500 | | 500 | | 500 | | |
| | | Data inputs | | | | | | | |

6.9 Timing Requirements: $V_{CCA} = 3.3\text{ V} \pm 0.3\text{ V}$

 over recommended operating free-air temperature range, $V_{CCA} = 3.3\text{ V} \pm 0.3\text{ V}$ (unless otherwise noted)

| | | | $V_{CCB} = 3.3\text{ V} \pm 0.3\text{ V}$ | | $V_{CCB} = 5\text{ V} \pm 0.5\text{ V}$ | | UNIT |
|-----------|--------------------|--------------------|---|-----|---|-----|------|
| | | | MIN | MAX | MIN | MAX | |
| Data rate | Push-pull driving | | 24 | | 24 | | Mbps |
| | Open-drain driving | | 2 | | 2 | | |
| t_w | Pulse duration | Push-pull driving | 41 | | 41 | | ns |
| | | Open-drain driving | 500 | | 500 | | |
| | | Data inputs | | | | | |

6.10 Switching Characteristics: $V_{CCA} = 1.8 \text{ V} \pm 0.15 \text{ V}$

 over recommended operating free-air temperature range, $V_{CCA} = 1.8 \text{ V} \pm 0.15 \text{ V}$ (unless otherwise noted)

| | FROM (INPUT) | TO (OUTPUT) | TEST CONDITIONS | $V_{CCB} = 2.5 \text{ V} \pm 0.2 \text{ V}$ | | $V_{CCB} = 3.3 \text{ V} \pm 0.3 \text{ V}$ | | $V_{CCB} = 5 \text{ V} \pm 0.5 \text{ V}$ | | UNIT |
|---------------|-------------------------|----------------|--------------------|---|------|---|------|---|------|------|
| | | | | MIN | MAX | MIN | MAX | MIN | MAX | |
| t_{PHL} | A | B | Push-pull driving | | 4.6 | | 4.7 | | 5.8 | ns |
| | | | Open-drain driving | 2.9 | 8.8 | 2.9 | 9.6 | 3 | 10 | |
| t_{PLH} | | | Push-pull driving | | 6.8 | | 6.8 | | 7 | |
| | | | Open-drain driving | 45 | 260 | 36 | 208 | 27 | 198 | |
| t_{PHL} | B | A | Push-pull driving | | 4.4 | | 4.5 | | 4.7 | ns |
| | | | Open-drain driving | 1.9 | 5.3 | 1.1 | 4.4 | 1.2 | 4 | |
| t_{PLH} | | | Push-pull driving | | 5.3 | | 4.5 | | 0.5 | |
| | | | Open-drain driving | 45 | 175 | 36 | 140 | 27 | 102 | |
| t_{en} | OE | A or B | | 200 | | 200 | | 200 | ns | |
| t_{dis} | OE | A or B | | 50 | | 40 | | 35 | ns | |
| t_{rA} | A-port rise time | | Push-pull driving | 3.2 | 9.5 | 2.3 | 9.3 | 2 | 7.6 | ns |
| | | | Open-drain driving | 38 | 165 | 30 | 132 | 22 | 95 | |
| t_{rB} | B-port rise time | | Push-pull driving | 4 | 10.8 | 2.7 | 9.1 | 2.7 | 7.6 | ns |
| | | | Open-drain driving | 34 | 145 | 23 | 106 | 10 | 58 | |
| t_{fA} | A-port fall time | | Push-pull driving | 2 | 5.9 | 1.9 | 6 | 1.7 | 13.3 | ns |
| | | | Open-drain driving | 4.4 | 6.9 | 4.3 | 6.4 | 4.2 | 6.1 | |
| t_{fB} | B-port fall time | | Push-pull driving | 2.9 | 7.6 | 2.8 | 7.5 | 2.8 | 8.8 | ns |
| | | | Open-drain driving | 6.9 | 13.8 | 7.5 | 16.2 | 7 | 16.2 | |
| $t_{SK(O)}$ | Channel-to-channel skew | | | 1 | | 1 | | 1 | ns | |
| Max data rate | | | Push-pull driving | 24 | | 24 | | 24 | Mbps | |
| | | | Open-drain driving | 2 | | 2 | | 2 | | |

6.11 Switching Characteristics: $V_{CCA} = 2.5 \text{ V} \pm 0.2 \text{ V}$

 over recommended operating free-air temperature range, $V_{CCA} = 2.5 \text{ V} \pm 0.2 \text{ V}$ (unless otherwise noted)

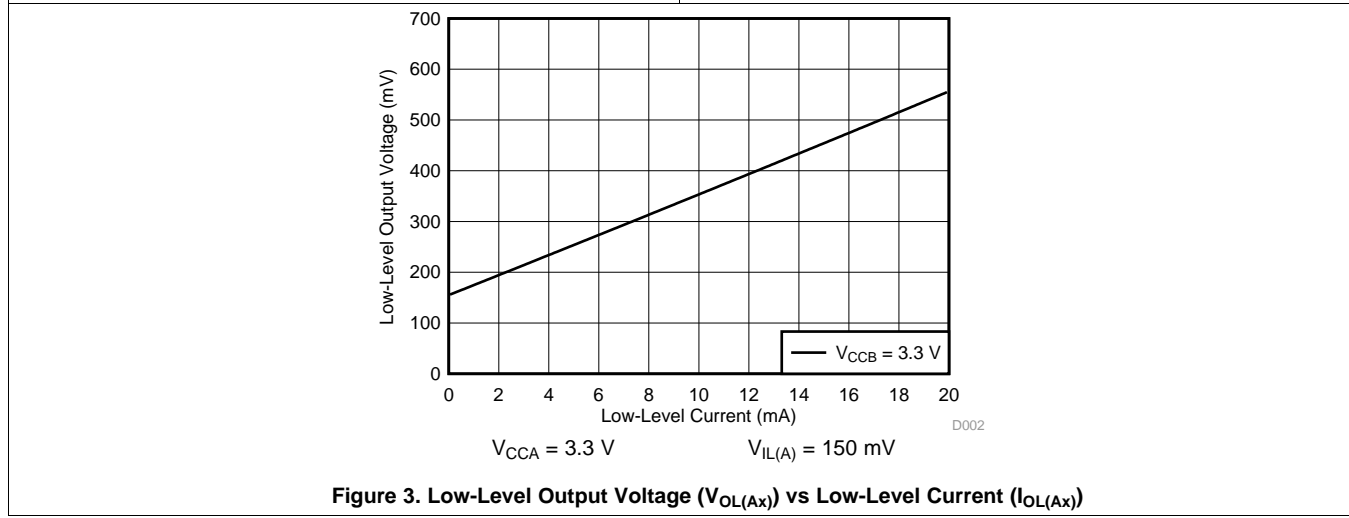
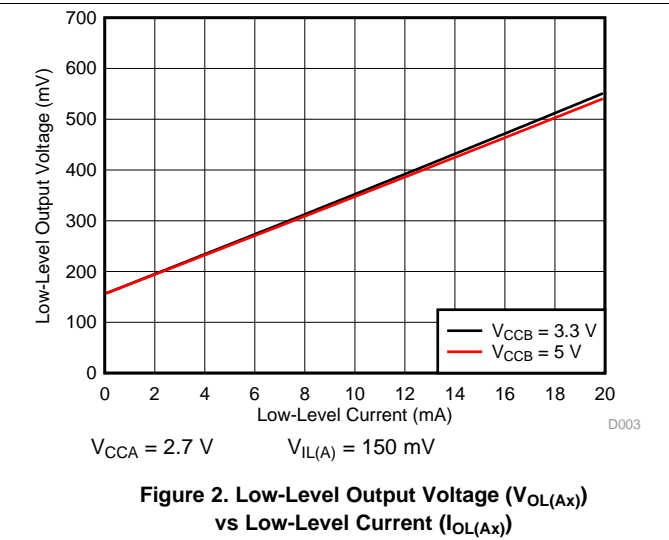
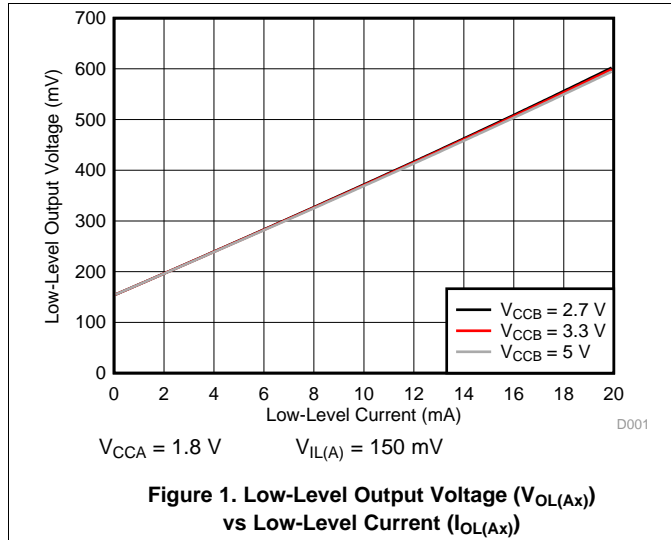
| | FROM (INPUT) | TO (OUTPUT) | TEST CONDITIONS | $V_{CCB} = 2.5 \text{ V} \pm 0.2 \text{ V}$ | | $V_{CCB} = 3.3 \text{ V} \pm 0.3 \text{ V}$ | | $V_{CCB} = 5 \text{ V} \pm 0.5 \text{ V}$ | | UNIT |
|---------------|-------------------------|----------------|--------------------|---|-----|---|-----|---|------|------|
| | | | | MIN | MAX | MIN | MAX | MIN | MAX | |
| t_{PHL} | A | B | Push-pull driving | | 3.2 | | 3.3 | | 3.4 | ns |
| | | | Open-drain driving | 1.7 | 6.3 | 2 | 6 | 2.1 | 5.8 | |
| t_{PLH} | | | Push-pull driving | | 3.5 | | 4.1 | | 4.4 | |
| | | | Open-drain driving | 43 | 250 | 36 | 206 | 27 | 190 | |
| t_{PHL} | B | A | Push-pull driving | | 3 | | 3.6 | | 4.3 | ns |
| | | | Open-drain driving | 1.8 | 4.7 | 2.6 | 4.2 | 1.2 | 4 | |
| t_{PLH} | | | Push-pull driving | | 2.5 | | 1.6 | | 0.7 | |
| | | | Open-drain driving | 44 | 170 | 37 | 140 | 27 | 103 | |
| t_{en} | OE | A or B | | | 200 | | 200 | | 200 | ns |
| t_{dis} | OE | A or B | | | 50 | | 40 | | 35 | ns |
| t_{rA} | A-port rise time | | Push-pull driving | 2.8 | 7.4 | 2.6 | 6.6 | 1.8 | 5.6 | ns |
| | | | Open-drain driving | 34 | 149 | 28 | 121 | 24 | 89 | |
| t_{rB} | B-port rise time | | Push-pull driving | 3.2 | 8.3 | 2.9 | 7.2 | 2.4 | 6.1 | ns |
| | | | Open-drain driving | 35 | 151 | 24 | 112 | 12 | 64 | |
| t_{fA} | A-port fall time | | Push-pull driving | 1.9 | 5.7 | 1.9 | 5.5 | 1.8 | 5.3 | ns |
| | | | Open-drain driving | 4.4 | 6.9 | 4.3 | 6.2 | 4.2 | 5.8 | |
| t_{fB} | B-port fall time | | Push-pull driving | 2.2 | 7.8 | 2.4 | 6.7 | 2.6 | 6.6 | ns |
| | | | Open-drain driving | 5.1 | 8.8 | 5.4 | 9.4 | 5.4 | 10.4 | |
| $t_{SK(O)}$ | Channel-to-channel skew | | | | 1 | | 1 | | 1 | ns |
| Max data rate | | | Push-pull driving | | 24 | | 24 | | 24 | Mbps |
| | | | Open-drain driving | | 2 | | 2 | | 2 | |

6.12 Switching Characteristics: $V_{CCA} = 3.3\text{ V} \pm 0.3\text{ V}$

 over recommended operating free-air temperature range, $V_{CCA} = 3.3\text{ V} \pm 0.3\text{ V}$ (unless otherwise noted)

| | FROM (INPUT) | TO (OUTPUT) | TEST CONDITIONS | $V_{CCB} = 3.3\text{ V} \pm 0.3\text{ V}$ | | $V_{CCB} = 5\text{ V} \pm 0.5\text{ V}$ | | UNIT |
|---------------|-------------------------|----------------|--------------------|---|-----|---|-----|------|
| | | | | MIN | MAX | MIN | MAX | |
| t_{PHL} | A | B | Push-pull driving | | 2.4 | | 3.1 | ns |
| | | | Open-drain driving | 1.3 | 4.2 | 1.4 | 4.6 | |
| t_{PLH} | | | Push-pull driving | | 4.2 | | 4.4 | |
| | | | Open-drain driving | 36 | 204 | 28 | 165 | |
| t_{PHL} | B | A | Push-pull driving | | 2.5 | | 3.3 | ns |
| | | | Open-drain driving | 1 | 124 | 1 | 97 | |
| t_{PLH} | | | Push-pull driving | | 2.5 | | 2.6 | |
| | | | Open-drain driving | 3 | 139 | 3 | 105 | |
| t_{en} | OE | A or B | | | 200 | | 200 | ns |
| t_{dis} | OE | A or B | | | 40 | | 35 | ns |
| t_{rA} | A-port rise time | | Push-pull driving | 2.3 | 5.6 | 1.9 | 4.8 | ns |
| | | | Open-drain driving | 25 | 116 | 19 | 85 | |
| t_{rB} | B-port rise time | | Push-pull driving | 2.5 | 6.4 | 2.1 | 7.4 | ns |
| | | | Open-drain driving | 26 | 116 | 14 | 72 | |
| t_{fA} | A-port fall time | | Push-pull driving | 2 | 5.4 | 1.9 | 5 | ns |
| | | | Open-drain driving | 4.3 | 6.1 | 4.2 | 5.7 | |
| t_{fB} | B-port fall time | | Push-pull driving | 2.3 | 7.4 | 2.4 | 7.6 | ns |
| | | | Open-drain driving | 5 | 7.6 | 4.8 | 8.3 | |
| $t_{SK(O)}$ | Channel-to-channel skew | | | | 1 | | 1 | ns |
| Max data rate | | | Push-pull driving | | 24 | | 24 | Mbps |
| | | | Open-drain driving | | 2 | | 2 | |

6.13 Typical Characteristics



7 Parameter Measurement Information

7.1 Load Circuits

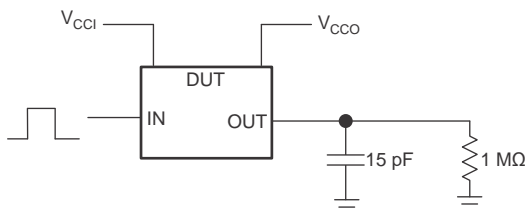


Figure 4. Data Rate, Pulse Duration, Propagation Delay, Output Rise-Time and Fall-Time Measurement Using a Push-Pull Driver

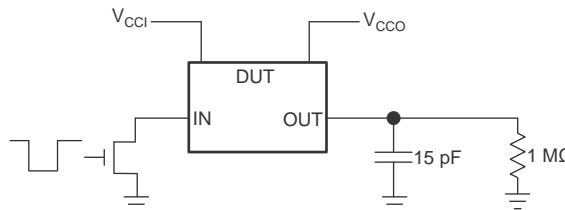
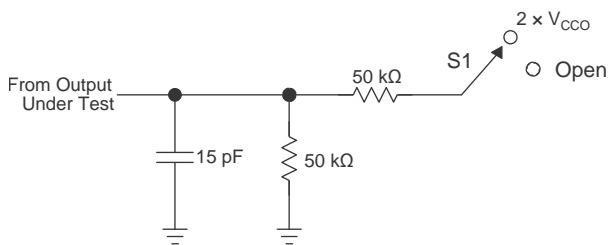


Figure 5. Data Rate, Pulse Duration, Propagation Delay, Output Rise-Time and Fall-Time Measurement Using an Open-Drain Driver

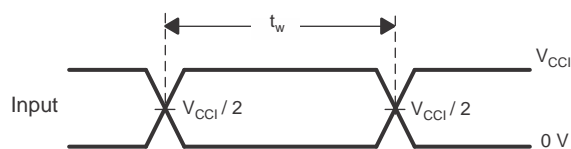
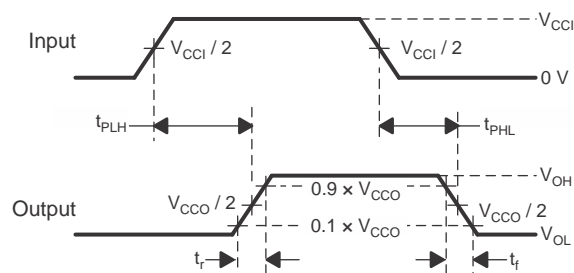
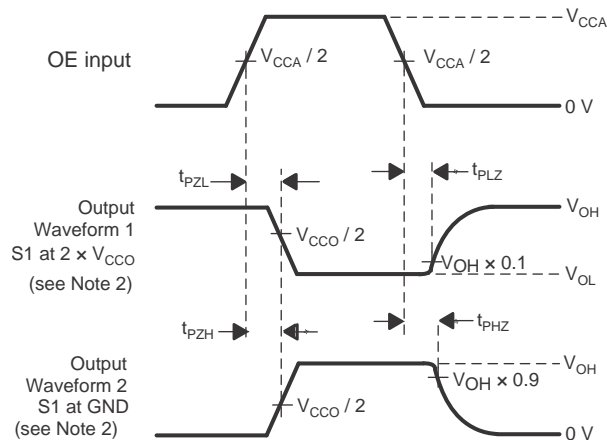


| TEST | S1 |
|--------------------------------------|--------------------|
| t_{PZL} / t_{PLZ} (t_{dis}) | $2 \times V_{CCO}$ |
| t_{PHZ} / t_{PZH} (t_{en}) | Open |

Figure 6. Load Circuit for Enable-Time and Disable-Time Measurement

1. t_{PLZ} and t_{PHZ} are the same as t_{dis} .
2. t_{PZL} and t_{PZH} are the same as t_{en} .
3. V_{CCI} is the V_{CC} associated with the input port.
4. V_{CCO} is the V_{CC} associated with the output port.

7.2 Voltage Waveforms


Figure 7. Pulse Duration

Figure 8. Propagation Delay Times

Figure 9. Enable and Disable Times

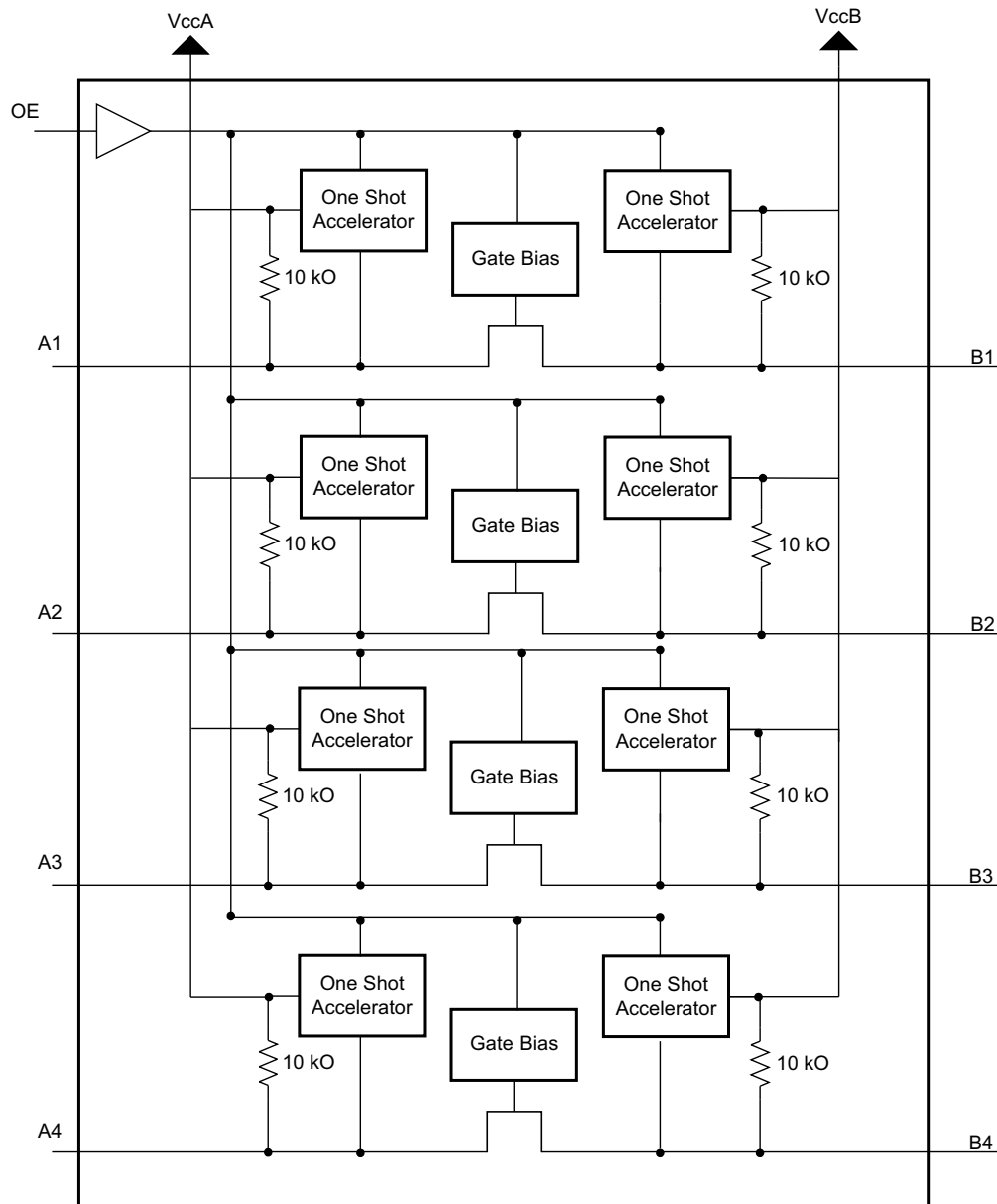
1. C_L includes probe and jig capacitance.
2. Waveform 1 in [Figure 9](#) is for an output with internal such that the output is high, except when OE is high (see [Figure 6](#)). Waveform 2 in [Figure 9](#) is for an output with conditions such that the output is low, except when OE is high.
3. All input pulses are supplied by generators having the following characteristics: $PRR \leq 10$ MHz, $Z_O = 50 \Omega$, $dv/dt \geq 1$ V/ns.
4. The outputs are measured one at a time, with one transition per measurement.
5. t_{PLZ} and t_{PHZ} are the same as t_{dis} .
6. t_{PZL} and t_{PZH} are the same as t_{en} .
7. t_{PLH} and t_{PHL} are the same as t_{pd} .
8. V_{CCI} is the V_{CC} associated with the input port.
9. V_{CCO} is the V_{CC} associated with the output port.

8 Detailed Description

8.1 Overview

The TXS0104E device is a directionless voltage-level translator specifically designed for translating logic voltage levels. The A port is able to accept I/O voltages ranging from 1.65 V to 3.6 V, while the B port can accept I/O voltages from 2.3 V to 5.5 V. The device is a pass gate architecture with edge rate accelerators (one shots) to improve the overall data rate. 10-k Ω pullup resistors, commonly used in open drain applications, have been conveniently integrated so that an external resistor is not needed. While this device is designed for open drain applications, the device can also translate push-pull CMOS logic outputs.

8.2 Functional Block Diagram



8.3 Feature Description

8.3.1 Architecture

The TXS0104E architecture (see [Figure 10](#)) does not require a direction-control signal in order to control the direction of data flow from A to B or from B to A.

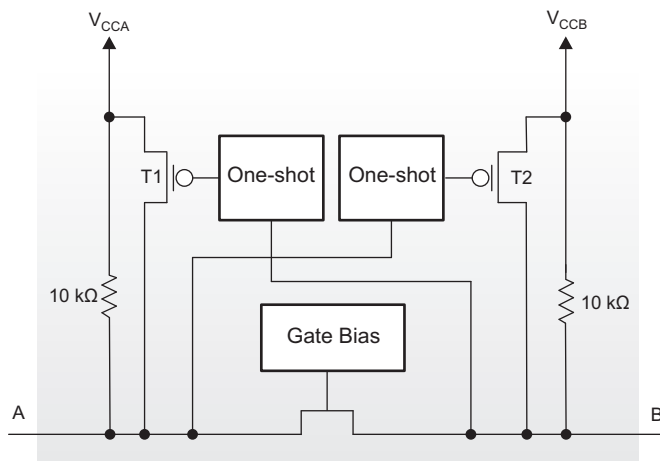


Figure 10. Architecture of a TXS01xx Cell

Each A-port I/O has an internal 10-k Ω pullup resistor to V_{CCA} , and each B-port I/O has an internal 10-k Ω pullup resistor to V_{CCB} . The output one-shots detect rising edges on the A or B ports. During a rising edge, the one-shot turns on the PMOS transistors (T1, T2) for a short duration which speeds up the low-to-high transition.

8.3.2 Input Driver Requirements

The fall time (t_{fA} , t_{fB}) of a signal depends on the output impedance of the external device driving the data I/Os of the TXS0104E device. Similarly, the t_{PHL} and maximum data rates also depend on the output impedance of the external driver. The values for t_{fA} , t_{fB} , t_{PHL} , and maximum data rates in the data sheet assume that the output impedance of the external driver is less than 50 Ω .

8.3.3 Power Up

During operation, ensure that $V_{CCA} \leq V_{CCB}$ at all times. During power-up sequencing, $V_{CCA} \geq V_{CCB}$ does not damage the device, so any power supply can be ramped up first.

8.3.4 Enable and Disable

The TXS0104E device has an OE input that disables the device by setting OE low, which places all I/Os in the high-impedance state. The disable time (t_{dis}) indicates the delay between the time when the OE pin goes low and when the outputs actually enter the high-impedance state. The enable time (t_{en}) indicates the amount of time the user must allow for the one-shot circuitry to become operational after the OE pin is taken high.

8.3.5 Pullup and Pulldown Resistors on I/O Lines

Each A-port I/O has an internal 10-k Ω pullup resistor to V_{CCA} , and each B-port I/O has an internal 10-k Ω pullup resistor to V_{CCB} . If a smaller value of pullup resistor is required, an external resistor must be added from the I/O to V_{CCA} or V_{CCB} (in parallel with the internal 10-k Ω resistors).

8.4 Device Functional Modes

The TXS0104E device has two functional modes, enabled and disabled. To disable the device set the OE input low, which places all I/Os in a high impedance state. Setting the OE input high will enable the device.

9 Application and Implementation

NOTE

Information in the following applications sections is not part of the TI component specification, and TI does not warrant its accuracy or completeness. TI's customers are responsible for determining suitability of components for their purposes. Customers should validate and test their design implementation to confirm system functionality.

9.1 Application Information

The TXS0104E device can be used in level-translation applications for interfacing devices or systems operating at different interface voltages with one another. The TXS0104E device is ideal for use in applications where an open-drain driver is connected to the data I/Os. The TXS0104E device can also be used in applications where a push-pull driver is connected to the data I/Os, but the TXB0104 device might be a better option for such push-pull applications.

9.2 Typical Application

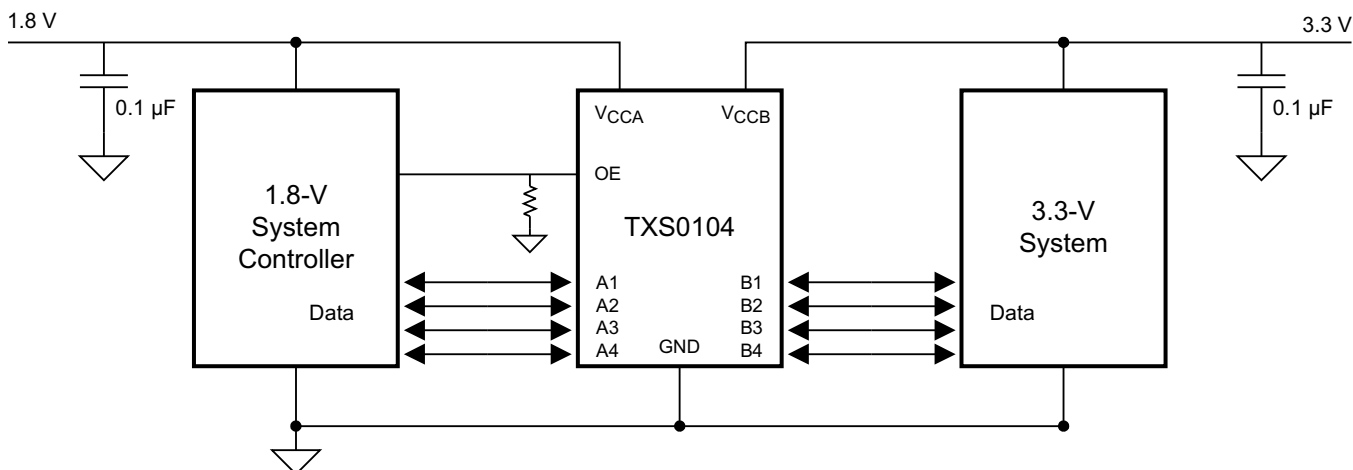


Figure 11. Application Schematic

9.2.1 Design Requirements

For this design example, use the parameters listed in [Table 1](#).

Table 1. Design Parameters

| DESIGN PARAMETER | EXAMPLE VALUE |
|----------------------|---------------|
| Input voltage range | 1.65 to 3.6 V |
| Output voltage range | 2.3 to 5.5 V |

9.2.2 Detailed Design Procedure

To begin the design process, determine the following:

- Input voltage range
 - Use the supply voltage of the device that is driving the TXS0104E device to determine the input voltage range. For a valid logic high the value must exceed the V_{IH} of the input port. For a valid logic low the value must be less than the V_{IL} of the input port.
- Output voltage range
 - Use the supply voltage of the device that the TXS0104E device is driving to determine the output voltage range.
 -

The TXS0104E device has 10-k Ω internal pullup resistors. External pullup resistors can be added to reduce the total RC of a signal trace if necessary.

- An external pull down resistor decreases the output V_{OH} and V_{OL} . Use [Equation 1](#) to calculate the V_{OH} as a result of an external pull down resistor.

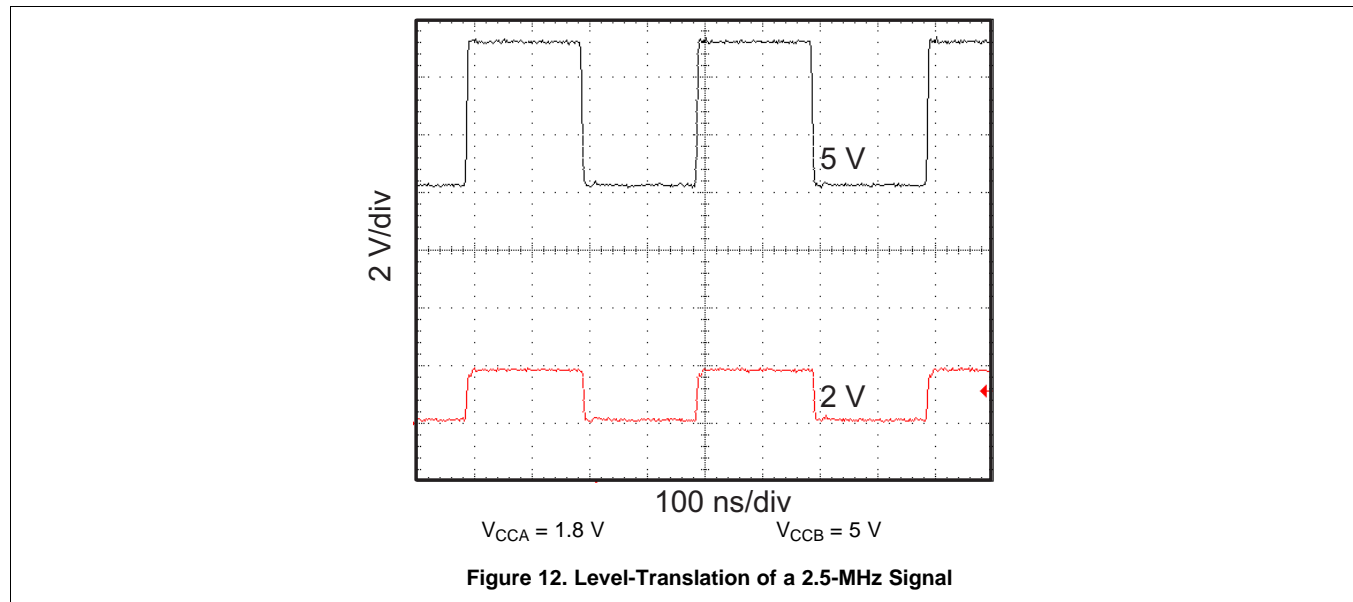
$$V_{OH} = V_{CCx} \times R_{PD} / (R_{PD} + 10 \text{ k}\Omega) \quad (1)$$

where

V_{CCx} is the supply voltage on either V_{CCA} or V_{CCB}

R_{PD} is the value of the external pull down resistor

9.2.3 Application Curve



10 Power Supply Recommendations

The TXS0104E device uses two separate configurable power-supply rails, V_{CCA} and V_{CCB} . V_{CCB} accepts any supply voltage from 2.3 V to 5.5 V and V_{CCA} accepts any supply voltage from 1.65 V to 3.6 V as long as V_S is less than or equal to V_{CCB} . The A port and B port are designed to track V_{CCA} and V_{CCB} respectively allowing for low-voltage bidirectional translation between any of the 1.8-V, 2.5-V, 3.3-V, and 5-V voltage nodes.

The TXS0104E device does not require power sequencing between V_{CCA} and V_{CCB} during power-up so the power-supply rails can be ramped in any order. A V_{CCA} value greater than or equal to V_{CCB} ($V_{CCA} \geq V_{CCB}$) does not damage the device, but during operation, V_{CCA} must be less than or equal to V_{CCB} ($V_{CCA} \leq V_{CCB}$) at all times.

The output-enable (OE) input circuit is designed so that it is supplied by V_{CCA} and when the (OE) input is low, all outputs are placed in the high-impedance state. To ensure the high-impedance state of the outputs during power up or power down, the OE input pin must be tied to GND through a pulldown resistor and must not be enabled until V_{CCA} and V_{CCB} are fully ramped and stable. The minimum value of the pulldown resistor to ground is determined by the current-sourcing capability of the driver.

11 Layout

11.1 Layout Guidelines

To ensure reliability of the device, following common printed-circuit board layout guidelines is recommended.

- Bypass capacitors should be used on power supplies.
- Short trace lengths should be used to avoid excessive loading.
- PCB signal trace-lengths must be kept short enough so that the round-trip delay of any reflection is less than the one shot duration, approximately 30 ns, ensuring that any reflection encounters low impedance at the source driver.
- Placing pads on the signal paths for loading capacitors or pullup resistors to help adjust rise and fall times of signals depending on the system requirements

11.2 Layout Example

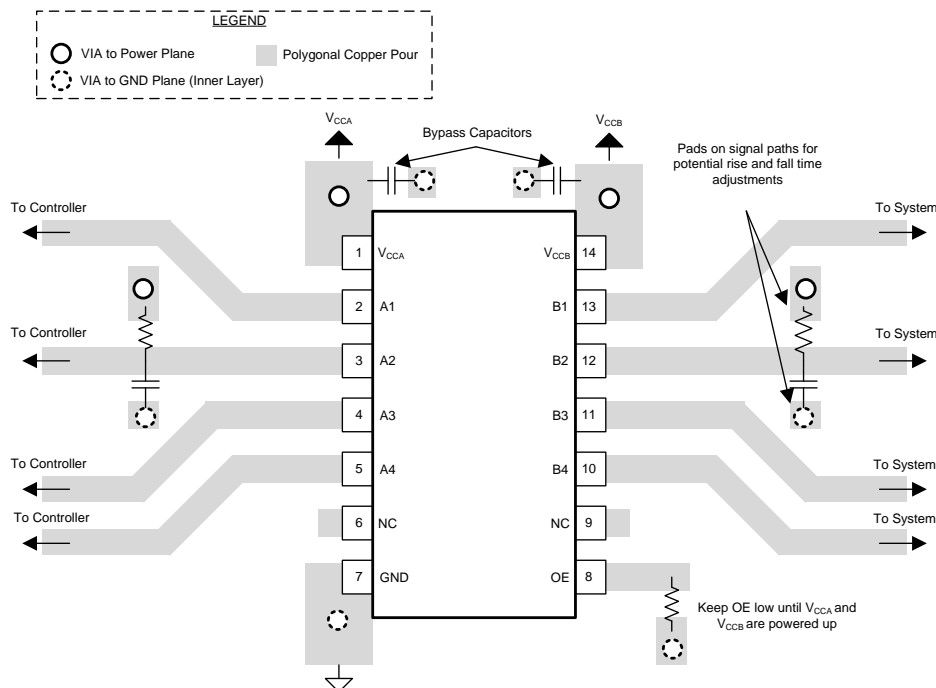


Figure 13. TXS0104E Layout Example

12 Device and Documentation Support

12.1 Trademarks

NanoFree is a trademark of Texas Instruments.
All other trademarks are the property of their respective owners.

12.2 Electrostatic Discharge Caution



These devices have limited built-in ESD protection. The leads should be shorted together or the device placed in conductive foam during storage or handling to prevent electrostatic damage to the MOS gates.

12.3 Glossary

[SLYZ022](#) — *TI Glossary*.

This glossary lists and explains terms, acronyms, and definitions.

13 Mechanical, Packaging, and Orderable Information

The following pages include mechanical, packaging, and orderable information. This information is the most current data available for the designated devices. This data is subject to change without notice and revision of this document. For browser-based versions of this data sheet, refer to the left-hand navigation.

PACKAGING INFORMATION

| Orderable Device | Status (1) | Package Type | Package Drawing | Pins | Package Qty | Eco Plan (2) | Lead/Ball Finish (6) | MSL Peak Temp (3) | Op Temp (°C) | Device Marking (4/5) | Samples |
|------------------|---------------|----------------------------|-----------------|------|-------------|-------------------------|-------------------------|----------------------|--------------|-------------------------|-------------------------|
| TXS0104ED | ACTIVE | SOIC | D | 14 | 50 | Green (RoHS & no Sb/Br) | CU NIPDAU | Level-1-260C-UNLIM | -40 to 85 | TXS0104E | Samples |
| TXS0104EDG4 | ACTIVE | SOIC | D | 14 | 50 | Green (RoHS & no Sb/Br) | CU NIPDAU | Level-1-260C-UNLIM | -40 to 85 | TXS0104E | Samples |
| TXS0104EDR | ACTIVE | SOIC | D | 14 | 2500 | Green (RoHS & no Sb/Br) | CU NIPDAU | Level-1-260C-UNLIM | -40 to 85 | TXS0104E | Samples |
| TXS0104EDRG4 | ACTIVE | SOIC | D | 14 | 2500 | Green (RoHS & no Sb/Br) | CU NIPDAU | Level-1-260C-UNLIM | -40 to 85 | TXS0104E | Samples |
| TXS0104EPWR | ACTIVE | TSSOP | PW | 14 | 2000 | Green (RoHS & no Sb/Br) | CU NIPDAU | Level-1-260C-UNLIM | -40 to 85 | YF04E | Samples |
| TXS0104EPWRG4 | ACTIVE | TSSOP | PW | 14 | 2000 | Green (RoHS & no Sb/Br) | CU NIPDAU | Level-1-260C-UNLIM | -40 to 85 | YF04E | Samples |
| TXS0104ERGYR | ACTIVE | VQFN | RGY | 14 | 3000 | Green (RoHS & no Sb/Br) | CU NIPDAU | Level-2-260C-1 YEAR | -40 to 85 | YF04E | Samples |
| TXS0104ERGYRG4 | ACTIVE | VQFN | RGY | 14 | 3000 | Green (RoHS & no Sb/Br) | CU NIPDAU | Level-2-260C-1 YEAR | -40 to 85 | YF04E | Samples |
| TXS0104EYZTR | ACTIVE | DSBGA | YZT | 12 | 3000 | Green (RoHS & no Sb/Br) | SNAGCU | Level-1-260C-UNLIM | -40 to 85 | (2N ~ 2N7) | Samples |
| TXS0104EZXR | ACTIVE | BGA MICROSTAR JUNIOR | ZXU | 12 | 2500 | Green (RoHS & no Sb/Br) | SNAGCU | Level-1-260C-UNLIM | -40 to 85 | YF04E | Samples |

(1) The marketing status values are defined as follows:

ACTIVE: Product device recommended for new designs.

LIFEBUY: TI has announced that the device will be discontinued, and a lifetime-buy period is in effect.

NRND: Not recommended for new designs. Device is in production to support existing customers, but TI does not recommend using this part in a new design.

PREVIEW: Device has been announced but is not in production. Samples may or may not be available.

OBSELETE: TI has discontinued the production of the device.

(2) Eco Plan - The planned eco-friendly classification: Pb-Free (RoHS), Pb-Free (RoHS Exempt), or Green (RoHS & no Sb/Br) - please check <http://www.ti.com/productcontent> for the latest availability information and additional product content details.

TBD: The Pb-Free/Green conversion plan has not been defined.

Pb-Free (RoHS): TI's terms "Lead-Free" or "Pb-Free" mean semiconductor products that are compatible with the current RoHS requirements for all 6 substances, including the requirement that lead not exceed 0.1% by weight in homogeneous materials. Where designed to be soldered at high temperatures, TI Pb-Free products are suitable for use in specified lead-free processes.

Pb-Free (RoHS Exempt): This component has a RoHS exemption for either 1) lead-based flip-chip solder bumps used between the die and package, or 2) lead-based die adhesive used between the die and leadframe. The component is otherwise considered Pb-Free (RoHS compatible) as defined above.

Green (RoHS & no Sb/Br): TI defines "Green" to mean Pb-Free (RoHS compatible), and free of Bromine (Br) and Antimony (Sb) based flame retardants (Br or Sb do not exceed 0.1% by weight in homogeneous material)

(3) MSL, Peak Temp. - The Moisture Sensitivity Level rating according to the JEDEC industry standard classifications, and peak solder temperature.

(4) There may be additional marking, which relates to the logo, the lot trace code information, or the environmental category on the device.

(5) Multiple Device Markings will be inside parentheses. Only one Device Marking contained in parentheses and separated by a "~" will appear on a device. If a line is indented then it is a continuation of the previous line and the two combined represent the entire Device Marking for that device.

(6) Lead/Ball Finish - Orderable Devices may have multiple material finish options. Finish options are separated by a vertical ruled line. Lead/Ball Finish values may wrap to two lines if the finish value exceeds the maximum column width.

Important Information and Disclaimer: The information provided on this page represents TI's knowledge and belief as of the date that it is provided. TI bases its knowledge and belief on information provided by third parties, and makes no representation or warranty as to the accuracy of such information. Efforts are underway to better integrate information from third parties. TI has taken and continues to take reasonable steps to provide representative and accurate information but may not have conducted destructive testing or chemical analysis on incoming materials and chemicals. TI and TI suppliers consider certain information to be proprietary, and thus CAS numbers and other limited information may not be available for release.

In no event shall TI's liability arising out of such information exceed the total purchase price of the TI part(s) at issue in this document sold by TI to Customer on an annual basis.

OTHER QUALIFIED VERSIONS OF TXS0104E :

- Automotive: [TXS0104E-Q1](#)

NOTE: Qualified Version Definitions:

- Automotive - Q100 devices qualified for high-reliability automotive applications targeting zero defects

TAPE AND REEL INFORMATION

QUADRANT ASSIGNMENTS FOR PIN 1 ORIENTATION IN TAPE


*All dimensions are nominal

| Device | Package Type | Package Drawing | Pins | SPQ | Reel Diameter (mm) | Reel Width W1 (mm) | A0 (mm) | B0 (mm) | K0 (mm) | P1 (mm) | W (mm) | Pin1 Quadrant |
|--------------|----------------------|-----------------|------|------|--------------------|--------------------|---------|---------|---------|---------|--------|---------------|
| TXS0104EDR | SOIC | D | 14 | 2500 | 330.0 | 16.4 | 6.5 | 9.0 | 2.1 | 8.0 | 16.0 | Q1 |
| TXS0104EPWR | TSSOP | PW | 14 | 2000 | 330.0 | 12.4 | 6.9 | 5.6 | 1.6 | 8.0 | 12.0 | Q1 |
| TXS0104ERGYR | VQFN | RGY | 14 | 3000 | 330.0 | 12.4 | 3.75 | 3.75 | 1.15 | 8.0 | 12.0 | Q1 |
| TXS0104EYZTR | DSBGA | YZT | 12 | 3000 | 180.0 | 8.4 | 1.49 | 1.99 | 0.75 | 4.0 | 8.0 | Q2 |
| TXS0104EZXR | BGA MICROSTAR JUNIOR | ZXU | 12 | 2500 | 330.0 | 8.4 | 2.3 | 2.8 | 1.0 | 4.0 | 8.0 | Q2 |

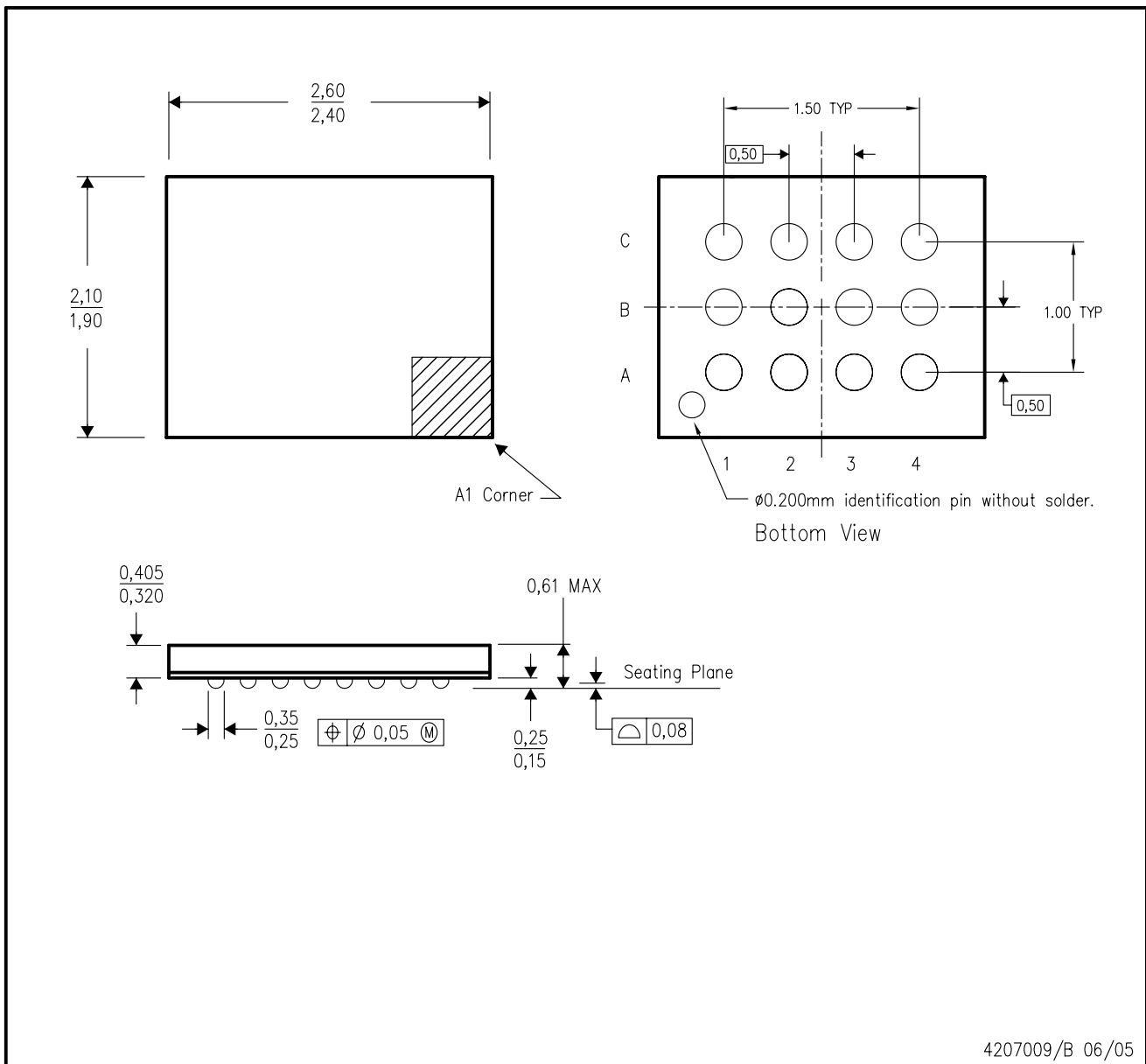
TAPE AND REEL BOX DIMENSIONS


*All dimensions are nominal

| Device | Package Type | Package Drawing | Pins | SPQ | Length (mm) | Width (mm) | Height (mm) |
|--------------|-------------------------|-----------------|------|------|-------------|------------|-------------|
| TXS0104EDR | SOIC | D | 14 | 2500 | 367.0 | 367.0 | 38.0 |
| TXS0104EPWR | TSSOP | PW | 14 | 2000 | 367.0 | 367.0 | 35.0 |
| TXS0104ERGYR | VQFN | RGY | 14 | 3000 | 367.0 | 367.0 | 35.0 |
| TXS0104EYZTR | DSBGA | YZT | 12 | 3000 | 182.0 | 182.0 | 17.0 |
| TXS0104EZXR | BGA MICROSTAR JUNIOR | ZXU | 12 | 2500 | 338.1 | 338.1 | 20.6 |

ZXU (S-PBGA-N12)

PLASTIC BALL GRID ARRAY



4207009/B 06/05

- NOTES:
- A. All linear dimensions are in millimeters.
 - B. This drawing is subject to change without notice.
 - C. This package is a lead-free solder ball design.

D (R-PDSO-G14)

PLASTIC SMALL OUTLINE



NOTES: A. All linear dimensions are in inches (millimeters).
 B. This drawing is subject to change without notice.
 C. Body length does not include mold flash, protrusions, or gate burrs. Mold flash, protrusions, or gate burrs shall not exceed 0.006 (0,15) each side.
 D. Body width does not include interlead flash. Interlead flash shall not exceed 0.017 (0,43) each side.
 E. Reference JEDEC MS-012 variation AB.

D (R-PDSO-G14)

PLASTIC SMALL OUTLINE



4211283-3/E 08/12

- NOTES:
- All linear dimensions are in millimeters.
 - This drawing is subject to change without notice.
 - Publication IPC-7351 is recommended for alternate designs.
 - Laser cutting apertures with trapezoidal walls and also rounding corners will offer better paste release. Customers should contact their board assembly site for stencil design recommendations. Refer to IPC-7525 for other stencil recommendations.
 - Customers should contact their board fabrication site for solder mask tolerances between and around signal pads.

PW (R-PDSO-G14)

PLASTIC SMALL OUTLINE



4040064-3/G 02/11

- NOTES:
- A. All linear dimensions are in millimeters. Dimensioning and tolerancing per ASME Y14.5M-1994.
 - B. This drawing is subject to change without notice.
 -  Body length does not include mold flash, protrusions, or gate burrs. Mold flash, protrusions, or gate burrs shall not exceed 0,15 each side.
 -  Body width does not include interlead flash. Interlead flash shall not exceed 0,25 each side.
 - E. Falls within JEDEC MO-153

PW (R-PDSO-G14)

PLASTIC SMALL OUTLINE



- NOTES:
- All linear dimensions are in millimeters.
 - This drawing is subject to change without notice.
 - Publication IPC-7351 is recommended for alternate designs.
 - Laser cutting apertures with trapezoidal walls and also rounding corners will offer better paste release. Customers should contact their board assembly site for stencil design recommendations. Refer to IPC-7525 for other stencil recommendations.
 - Customers should contact their board fabrication site for solder mask tolerances between and around signal pads.

RGY (S-PVQFN-N14)

PLASTIC QUAD FLATPACK NO-LEAD



- NOTES:
- A. All linear dimensions are in millimeters. Dimensioning and tolerancing per ASME Y14.5M-1994.
 - B. This drawing is subject to change without notice.
 - C. QFN (Quad Flatpack No-Lead) package configuration.
 - D. The package thermal pad must be soldered to the board for thermal and mechanical performance.
 - E. See the additional figure in the Product Data Sheet for details regarding the exposed thermal pad features and dimensions.
 -  Pin 1 identifiers are located on both top and bottom of the package and within the zone indicated. The Pin 1 identifiers are either a molded, marked, or metal feature.
 - G. Package complies to JEDEC MO-241 variation BA.

RGY (S-PVQFN-N14)

PLASTIC QUAD FLATPACK NO-LEAD

THERMAL INFORMATION

This package incorporates an exposed thermal pad that is designed to be attached directly to an external heatsink. The thermal pad must be soldered directly to the printed circuit board (PCB). After soldering, the PCB can be used as a heatsink. In addition, through the use of thermal vias, the thermal pad can be attached directly to the appropriate copper plane shown in the electrical schematic for the device, or alternatively, can be attached to a special heatsink structure designed into the PCB. This design optimizes the heat transfer from the integrated circuit (IC).

For information on the Quad Flatpack No-Lead (QFN) package and its advantages, refer to Application Report, QFN/SON PCB Attachment, Texas Instruments Literature No. SLUA271. This document is available at www.ti.com.

The exposed thermal pad dimensions for this package are shown in the following illustration.



Bottom View

Exposed Thermal Pad Dimensions

4206353-2/P 03/14

NOTE: All linear dimensions are in millimeters

RGY (S-PVQFN-N14)

PLASTIC QUAD FLATPACK NO-LEAD



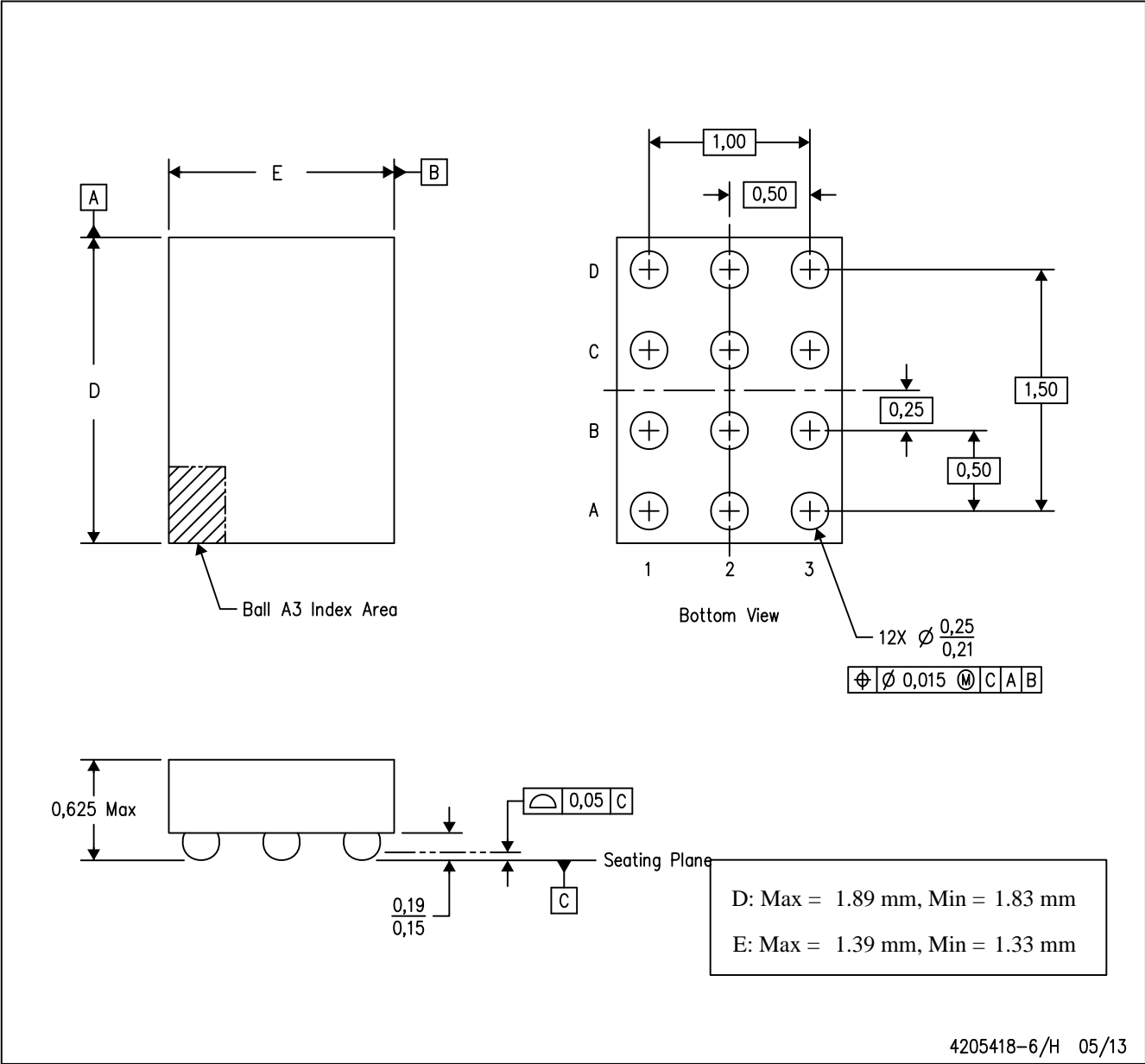
4208122-2/P 03/14

- NOTES:
- All linear dimensions are in millimeters.
 - This drawing is subject to change without notice.
 - Publication IPC-7351 is recommended for alternate designs.
 - This package is designed to be soldered to a thermal pad on the board. Refer to Application Note, Quad Flat-Pack QFN/SON PCB Attachment, Texas Instruments Literature No. SLUA271, and also the Product Data Sheets for specific thermal information, via requirements, and recommended board layout. These documents are available at www.ti.com <<http://www.ti.com>>.
 - Laser cutting apertures with trapezoidal walls and also rounding corners will offer better paste release. Customers should contact their board assembly site for stencil design recommendations. Refer to IPC 7525 for stencil design considerations.
 - Customers should contact their board fabrication site for minimum solder mask web tolerances between signal pads.

MECHANICAL DATA

YZT (R-XBGA-N12)

(CUSTOM) DIE-SIZE BALL GRID ARRAY



- NOTES:
- A. All linear dimensions are in millimeters. Dimensioning and tolerancing per ASME Y14.5M-1994.
 - B. This drawing is subject to change without notice.
 - C. NanoFree™ package configuration.

NanoFree is a trademark of Texas Instruments.

IMPORTANT NOTICE

Texas Instruments Incorporated and its subsidiaries (TI) reserve the right to make corrections, enhancements, improvements and other changes to its semiconductor products and services per JESD46, latest issue, and to discontinue any product or service per JESD48, latest issue. Buyers should obtain the latest relevant information before placing orders and should verify that such information is current and complete. All semiconductor products (also referred to herein as "components") are sold subject to TI's terms and conditions of sale supplied at the time of order acknowledgment.

TI warrants performance of its components to the specifications applicable at the time of sale, in accordance with the warranty in TI's terms and conditions of sale of semiconductor products. Testing and other quality control techniques are used to the extent TI deems necessary to support this warranty. Except where mandated by applicable law, testing of all parameters of each component is not necessarily performed.

TI assumes no liability for applications assistance or the design of Buyers' products. Buyers are responsible for their products and applications using TI components. To minimize the risks associated with Buyers' products and applications, Buyers should provide adequate design and operating safeguards.

TI does not warrant or represent that any license, either express or implied, is granted under any patent right, copyright, mask work right, or other intellectual property right relating to any combination, machine, or process in which TI components or services are used. Information published by TI regarding third-party products or services does not constitute a license to use such products or services or a warranty or endorsement thereof. Use of such information may require a license from a third party under the patents or other intellectual property of the third party, or a license from TI under the patents or other intellectual property of TI.

Reproduction of significant portions of TI information in TI data books or data sheets is permissible only if reproduction is without alteration and is accompanied by all associated warranties, conditions, limitations, and notices. TI is not responsible or liable for such altered documentation. Information of third parties may be subject to additional restrictions.

Resale of TI components or services with statements different from or beyond the parameters stated by TI for that component or service voids all express and any implied warranties for the associated TI component or service and is an unfair and deceptive business practice. TI is not responsible or liable for any such statements.

Buyer acknowledges and agrees that it is solely responsible for compliance with all legal, regulatory and safety-related requirements concerning its products, and any use of TI components in its applications, notwithstanding any applications-related information or support that may be provided by TI. Buyer represents and agrees that it has all the necessary expertise to create and implement safeguards which anticipate dangerous consequences of failures, monitor failures and their consequences, lessen the likelihood of failures that might cause harm and take appropriate remedial actions. Buyer will fully indemnify TI and its representatives against any damages arising out of the use of any TI components in safety-critical applications.

In some cases, TI components may be promoted specifically to facilitate safety-related applications. With such components, TI's goal is to help enable customers to design and create their own end-product solutions that meet applicable functional safety standards and requirements. Nonetheless, such components are subject to these terms.

No TI components are authorized for use in FDA Class III (or similar life-critical medical equipment) unless authorized officers of the parties have executed a special agreement specifically governing such use.

Only those TI components which TI has specifically designated as military grade or "enhanced plastic" are designed and intended for use in military/aerospace applications or environments. Buyer acknowledges and agrees that any military or aerospace use of TI components which have **not** been so designated is solely at the Buyer's risk, and that Buyer is solely responsible for compliance with all legal and regulatory requirements in connection with such use.

TI has specifically designated certain components as meeting ISO/TS16949 requirements, mainly for automotive use. In any case of use of non-designated products, TI will not be responsible for any failure to meet ISO/TS16949.

Products

| | |
|------------------------------|--|
| Audio | www.ti.com/audio |
| Amplifiers | amplifier.ti.com |
| Data Converters | dataconverter.ti.com |
| DLP® Products | www.dlp.com |
| DSP | dsp.ti.com |
| Clocks and Timers | www.ti.com/clocks |
| Interface | interface.ti.com |
| Logic | logic.ti.com |
| Power Mgmt | power.ti.com |
| Microcontrollers | microcontroller.ti.com |
| RFID | www.ti-rfid.com |
| OMAP Applications Processors | www.ti.com/omap |
| Wireless Connectivity | www.ti.com/wirelessconnectivity |

Applications

| | |
|-------------------------------|--|
| Automotive and Transportation | www.ti.com/automotive |
| Communications and Telecom | www.ti.com/communications |
| Computers and Peripherals | www.ti.com/computers |
| Consumer Electronics | www.ti.com/consumer-apps |
| Energy and Lighting | www.ti.com/energy |
| Industrial | www.ti.com/industrial |
| Medical | www.ti.com/medical |
| Security | www.ti.com/security |
| Space, Avionics and Defense | www.ti.com/space-avionics-defense |
| Video and Imaging | www.ti.com/video |

TI E2E Community

e2e.ti.com