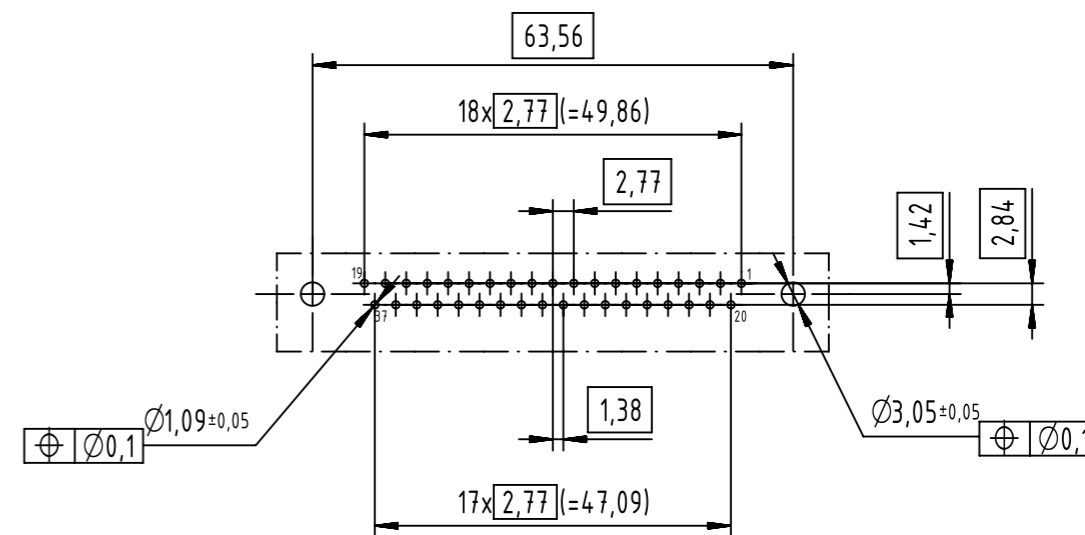


PC-Board layout
view component side
thickness 1,6



Connector insertion force on PCB = max. 80N

09684537611	M3	PL3
09684535611	M3	PLS4
09684537612	4-40 UNC	PL3
09684535612	4-40 UNC	PLS4
Part number	Nut thread	Performance level

	All rights reserved Department EC PD - CN	All Dimensions in mm Original Size DIN A3		Scale 1:1	Free size tol.	Ref. Sub.
		Created by ZENG	Inspected by LUOK	Standardisation HOFFMANN	Date 2017-11-10	State Final Release
HARTING Electronics GmbH D-32339 Espelkamp		Title D-Sub STD 37-pole female angled board locks				Doc-Key / ECM-Nr. 100539908/UGD/001/C 500000126855
		Type TB	Number 0968453X61X		Rev. C	Page 1/1