

1

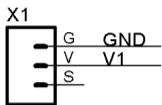
2

3

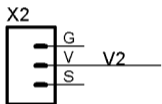
4

5

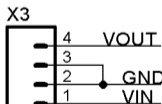
6



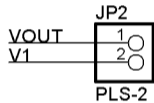
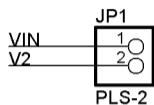
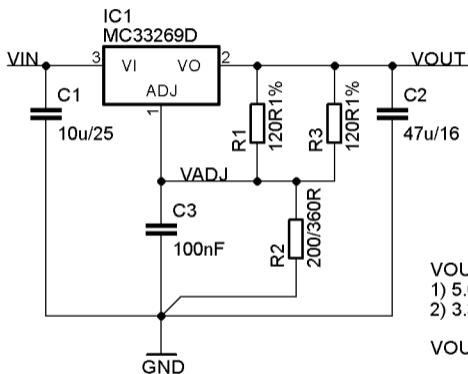
PLS-3



PLS-3



4x3.5mm



VOUT options

- 1) 5.0V : R1=120R, R3=none, R2=360R
- 2) 3.3V : R1=none, R3=120R, R2=200R

$$VOUT = 1.25 * (1 + R2/R1)$$

1

2

3

4

5

6