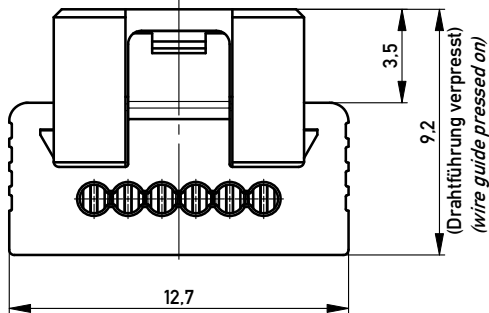
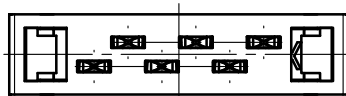


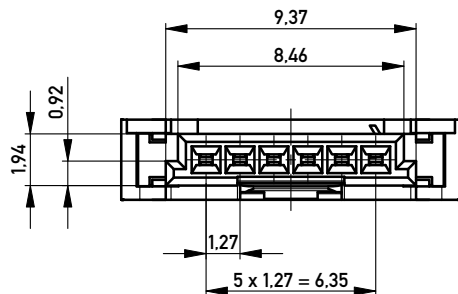
Flachbandkabelführung: schwarz
wire guide: black

11.4
mit aufgesetzter Drahtführung
(Anlieferungszustand)
with wire guide mounted
(state at time of supply)

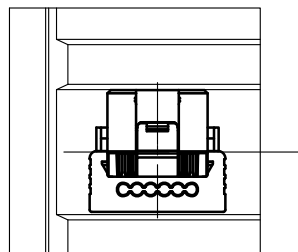


9.2
(Drahtführung verpresst)
(wire guide pressed on)

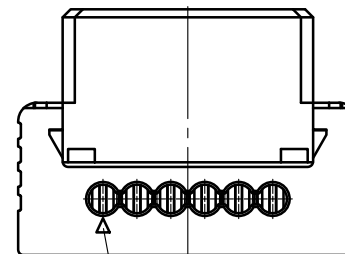
12.7



Einzelheit X - detail X
M 2:1

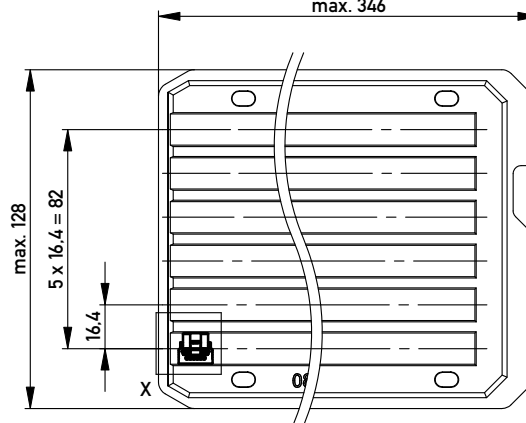


3



Kontaktbezeichnung
contact marking

Verpackt in Tray - tray packaging
Verpackungseinheit 144 Stück - packaging unit 144 pcs
max. 346



Information:
ohne Hilfsmittel lösbar
without tool unlockable

All rights reserved.
Only for Information.
To ensure that this is the latest
version of this drawing, please
contact one of the ERNI companies
before using.

Tolerances

All Dimensions
in mm

Scale 5:1

Subject to modification without
prior notice.
Drawing will not be updated.

Designation
1.27 SRC P SKV, 6-polig
1,27 SRC P IDC, 6-pin

www.ERNI.com

224395

I
A3

C 11.11.2008
Index Date

Class SRCP

Copyright by ERNI GmbH.
Proprietary notice pursuant to ISO 16016 to be observed.