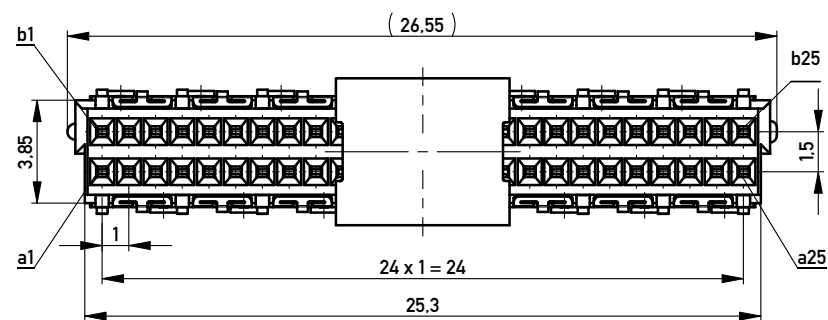
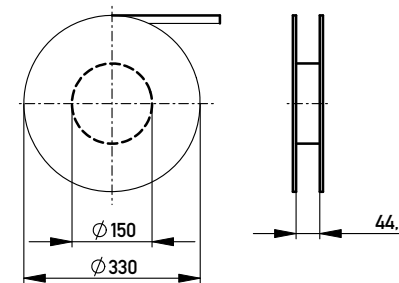
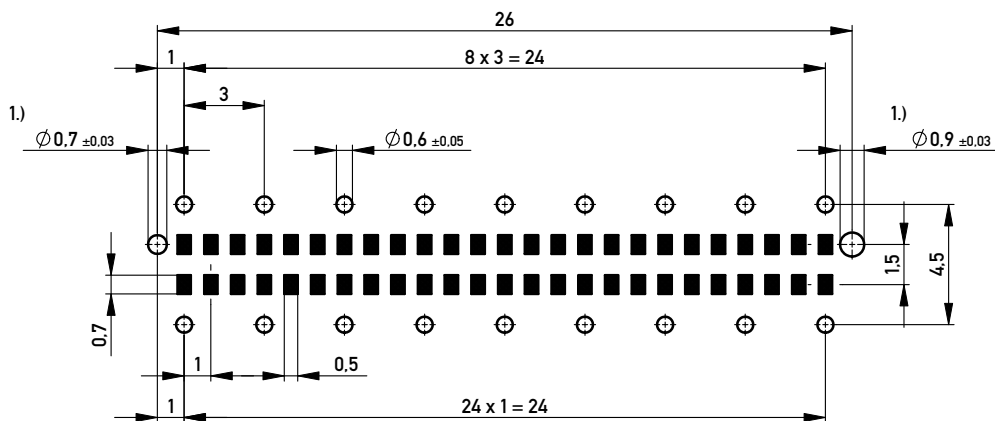


Verpackt in Gurtverpackung - *Tape on Reel Packaging*
 Verpackungseinheit: 400 Stück - *Packaging unit: 40 pcs*



Leiterplatten-Layout Vorschlag / *PCB-Layout Proposal*



Anforderungsstufe 1
Performance Level 1

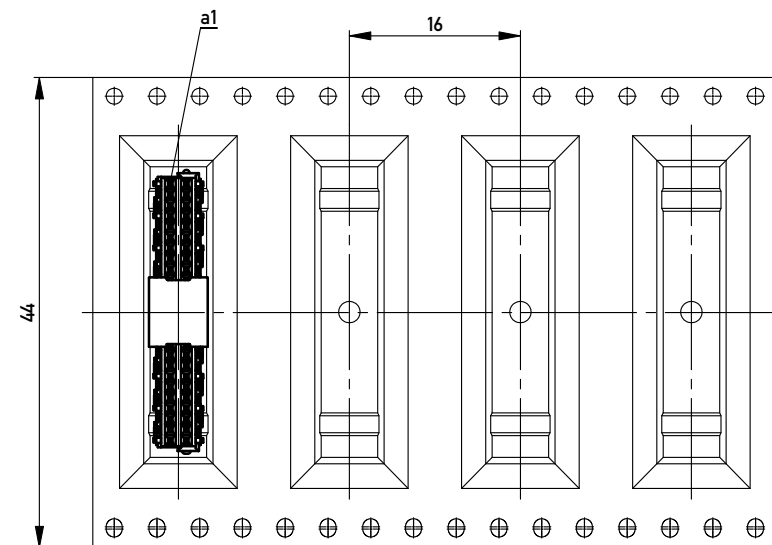
Kontaktbereich vergoldet
Mating Area gold plating

Anschlussbereich verzinkt 4-6 µm
Terminal Area 4-6 µm tin plating

Koplanarität der Anschlüsse ≤ 0.1 mm
Coplanarity Area of Termination ≤ 0.1 mm

1.) Durchmesser des Bohrers / *Drill tool*

Abspulrichtung - *Reel off Direction* →



Information:		Tolerances	All Dimensions in mm	Scale	5:1
All rights reserved. Only for Information. To ensure that this is the latest version of this drawing, please contact one of the ERNI companies before using.		Subject to modification without prior notice. Drawing will not be updated.		Designation	
		www.ERNI.com		Federleiste 4mm THR, 50 polig Female 4mm THR, 50 contacts	
i	21.09.2010			144663	
Index	Date			I A3	
				Class	MSPEED

Copyright by ERNI GmbH. Proprietary notice pursuant to ISO 16106 to be observed.