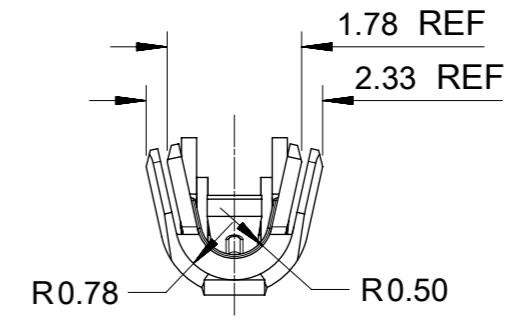
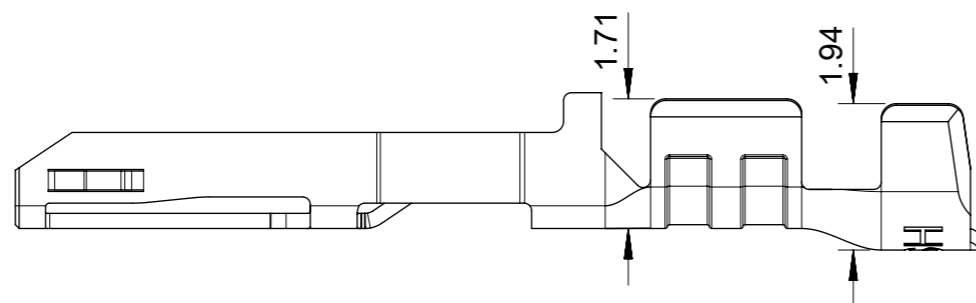


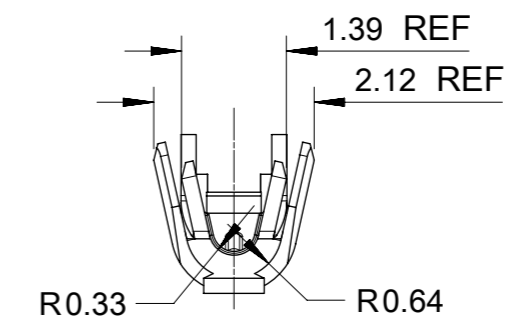
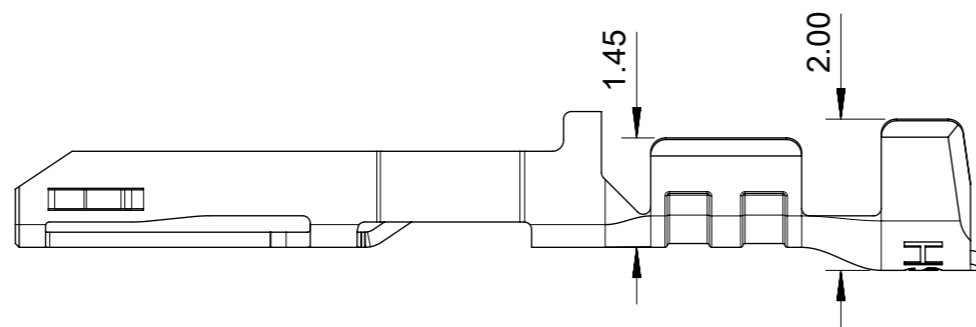
NOTES:

1. MATERIAL: HIGH CONDUCTIVITY COPPER ALLOY.
2. PLATING FINISH SEE CHART IN SHEET 3.
3. PRODUCT SPECIFICATION: PS-105300-100.
4. PACKAGE SPECIFICATION: PK-105300-100.
5. THE COMPONENT COMPLIANT TO RoHS DIRECTIVE 2011/65/EU AND ELV DIRECTIVE 2000/53/EC.
6. PRODUCT APPLY TO RECEPTACLE HOUSING OF 105307-**** AND 105308-****.
7. PARTS CONFORM TO CLASS 'B' REQUIREMENTS OF COSMETIC SPECIFICATION PS-45499-002.
8. APPLICATION SPECIFICATION: AS-105300-100.
9. RECOMMENDED INSULATOR:
20AWG WIRE, OD 1.60MM MAX.
24AWG WIRE, OD 1.30MM MAX.

THIS DRAWING CONTAINS INFORMATION THAT IS PROPRIETARY TO MOLEX ELECTRONIC TECHNOLOGIES, LLC AND SHOULD NOT BE USED WITHOUT WRITTEN PERMISSION											
QUALITY SYMBOLS 	2016/03/30 2016/04/26 EC NO: 103921 DRWN: GLLI CHK'D: AYIN APPR: AYIN	GENERAL TOLERANCES (UNLESS SPECIFIED) ANGULAR TOL ± 3.0 °		DIMENSION UNITS MM	SCALE 10:1	 CRIMP TERMINAL FOR NANO-FIT RECEPTACLE POWER CONNECTOR					
		4 PLACES ±	3 PLACES ±	2 PLACES ± 0.15	1 PLACE ± 0.20						
		DRAFT WHERE APPLICABLE MUST REMAIN WITHIN DIMENSIONS		APPR BY AYIN	DATE 2015/04/08	PRODUCT CUSTOMER DRAWING					
				DRAWING SIZE A3	THIRD ANGLE PROJECTION 	SERIES 105300	MATERIAL NUMBER SEE SHEET 3	CUSTOMER GENERAL MARKET			
						DOCUMENT NUMBER SD-105300-100	DOC TYPE PSD	DOC PART 000	SHEET NUMBER 1 OF 3		

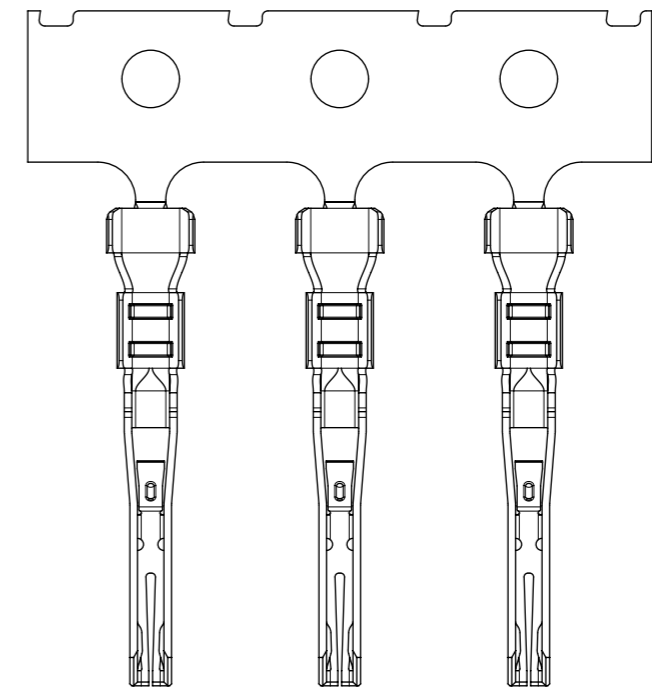
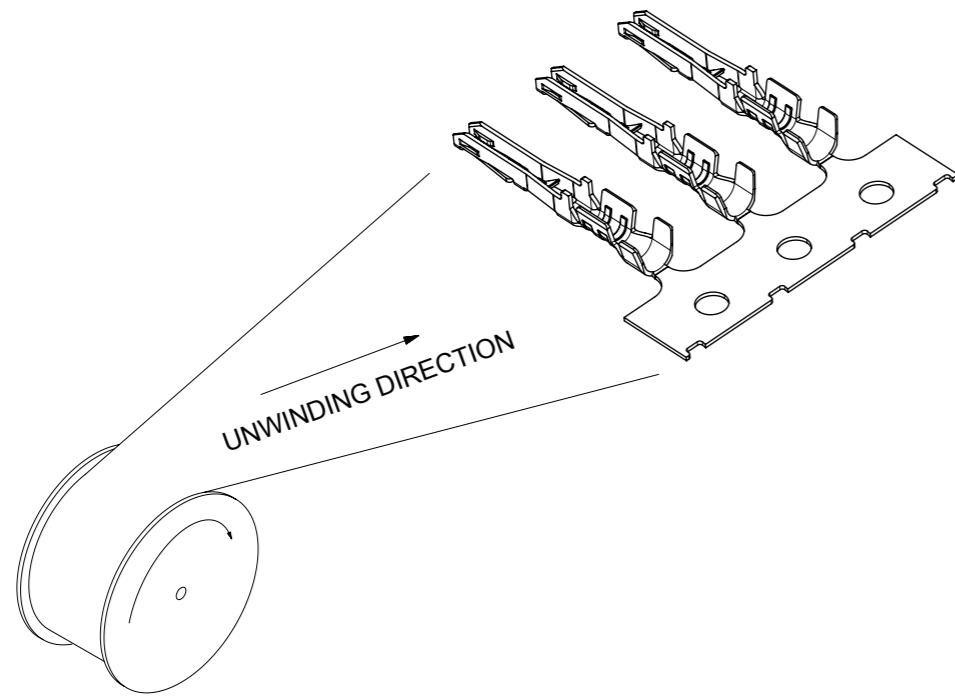


ONLY FOR WIRE OF AWG 20/22



ONLY FOR WIRE OF AWG 24/26

THIS DRAWING CONTAINS INFORMATION THAT IS PROPRIETARY TO MOLEX ELECTRONIC TECHNOLOGIES, LLC AND SHOULD NOT BE USED WITHOUT WRITTEN PERMISSION												
QUALITY SYMBOLS □ = 0 ▽ = 0 ▽ = 0 ▽ = 0 ▽ = 0 ▽ = 0 ▽ = 0 ▽ = 0 ▽ = 0 ▽ = 0 ▽ = 0	2016/03/30	2016/04/26	GENERAL TOLERANCES (UNLESS SPECIFIED)			DIMENSION UNITS	SCALE					
	EC NO: 103921 DRWN: GLLI CHK'D: AYIN APPR: AYIN	C REV	GLLI AYIN	ANGULAR TOL ± 3.0 °			MM					10:1
				4 PLACES ±	DRWN BY		DATE		PRODUCT CUSTOMER DRAWING			
				3 PLACES ±	GLLI		2015/03/18					
				2 PLACES ± 0.15	CHK'D BY		DATE		DOCUMENT NUMBER DOC TYPE DOC PART SHEET NUMBER SD-105300-100 PSD 000 2 OF 3			
				1 PLACE ± 0.20	APPR BY		DATE					
	0 PLACES ±	AYIN		2015/04/08		DRAFT WHERE APPLICABLE MUST REMAIN WITHIN DIMENSIONS						



PART NUMBER	PLATING TYPE	WIRE SIZE(AWG)
TBD	A	24/26
105300-1200	B	
105300-1300	C	
TBD	A	20/22
105300-2200	B	
105300-2300	C	

PLATING SPECIFICATION	
A	REFLOW MATTE TIN 2.5 MICRONS MINIMUM OVERALL, UNDER NICKEL PLATING 1.25 MICRONS MINIMUM OVERALL.
B	GOLD PLATING 0.38 MICRONS MINIMUM ON CONTACT AREA, BRIGHT TIN 2.5 MICRONS MINIMUM ON CONTACT AREA, UNDER NICKEL PLATING 1.25 MICRONS MINIMUM OVERALL.
C	GOLD PLATING 0.76 MICRONS MINIMUM ON CONTACT AREA, BRIGHT TIN 2.5 MICRONS MINIMUM ON CONTACT AREA, UNDER NICKEL PLATING 1.25 MICRONS MINIMUM OVERALL.

QUALITY SYMBOLS 	THIS DRAWING CONTAINS INFORMATION THAT IS PROPRIETARY TO MOLEX ELECTRONIC TECHNOLOGIES, LLC AND SHOULD NOT BE USED WITHOUT WRITTEN PERMISSION										
	2016/03/30	2016/04/26	GENERAL TOLERANCES (UNLESS SPECIFIED)		DIMENSION UNITS	SCALE					
			ANGULAR TOL ± 3.0 °		MM	5:1					
	EC NO: 103921 DRWN: GLLI CHK'D: APPR: AYIN	4 PLACES	±	DRWN BY		DATE		CRIMP TERMINAL FOR NANO-FIT RECEPTACLE POWER CONNECTOR			
		3 PLACES	±	GLLI		2015/03/18					
		2 PLACES	± 0.15	CHK'D BY		DATE					
		1 PLACE	± 0.20	APPR BY		DATE					
		0 PLACES	±	AYIN		2015/04/08					
		DRAFT WHERE APPLICABLE MUST REMAIN WITHIN DIMENSIONS		DRAWING SIZE	THIRD ANGLE PROJECTION		PRODUCT CUSTOMER DRAWING				
				A3			SERIES	MATERIAL NUMBER	CUSTOMER		
						105300	SEE CHART	GENERAL MARKET			
						DOCUMENT NUMBER		DOC TYPE	DOC PART	SHEET NUMBER	
						SD-105300-100		PSD	000	3 OF 3	