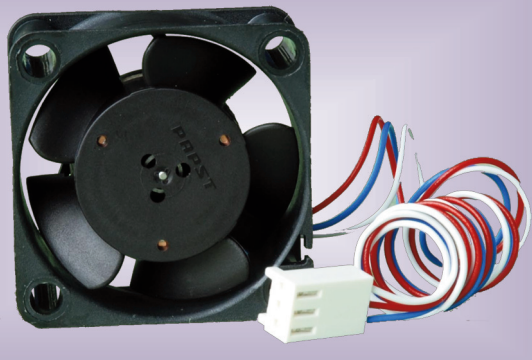


40mm Compact fan

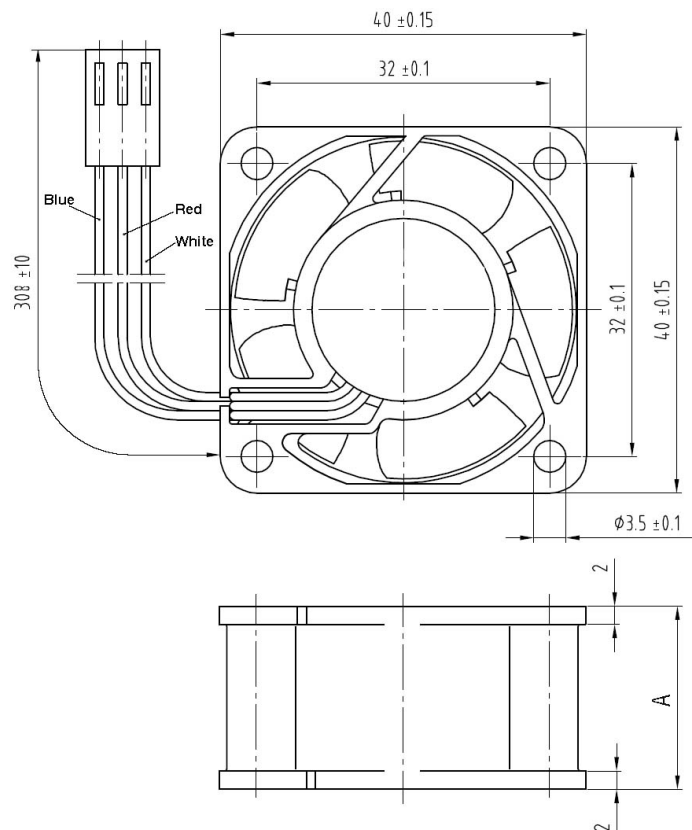


- With electronic protection against reverse polarity. The fan only operates when the polarity is correct. Impedance-protected against locked rotor and overloading.
- Fan of fibreglass reinforced plastic. PBT housing, PA impeller.
- Air exhaust over struts. Rotational direction CCW looking at rotor.
- Fitted with 3 pin molex connector (22-01-2035)
- Sensor signal for speed monitoring

Nominal data	Air flow @ free air	Air flow @ free air	Nominal voltage	Voltage range	Noise	Sintec-sleeve bearings	Power input	Nominal speed	Temperature range	Service life L ¹⁰ at 20°C / at 60°C	Dimension
	m ³ /h	CFM	VDC	VDC	dB(A)	Yes	Watt	min ⁻¹	°C	Hours	A
412/2-036	10	5.9	12	10...14	18	Yes	0.9	6000	-20...+70	50,000 / 20,000	20
412F/2H-038	9	5.3	12	10...14	29	Yes	0.8	6000	-20...+70	45,000 / 15,000	10

subject to alterations

Dimensions



ebm-papst UK Ltd, Chelmsford Business Park, Chelmsford, Essex, CM2 5EZ
 +44 (0)1245 68555
 www.ebmpapst.co.uk

ebmpapst