

X80-02 MULTI-VOLTAGE XENON BEACON

LOW VOLTAGE AND EMC DIRECTIVES

This beacon is CE-marked to show compliance with the Low Voltage Directive 73/23/EEC and the Electromagnetic Compatibility Directive 89/336/EEC. To maintain compliance with these directives it is necessary that installation is carried out in accordance with this instructions-if in doubt a qualified electrician should be consulted.

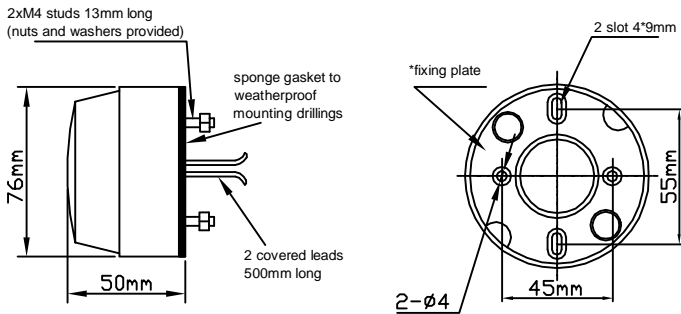
1. This beacon is designed to comply with IP67 when correctly installed. To ensure a weatherproof installation the beacon must be fitted with the foam gasket and mounted on a flat panel or surface. The panel or surface should be drilled to accept the wires and M4 studs as shown.(see below)

The power supply to the beacon must be fitted with a 500mA fuse.

Access to the power supply wires must be prevented either by fitting a suitable sleeve or by means of an insulating barrier.

2. Connect the 2 wires to a suitable power source (10-100Vdc)
(20-72Vac)
ensuring that the red wire is connected to the positive terminal.

X80-02 BEACON



*This part is optional.

X80-02 BEACON RANGE INSTALLATION

