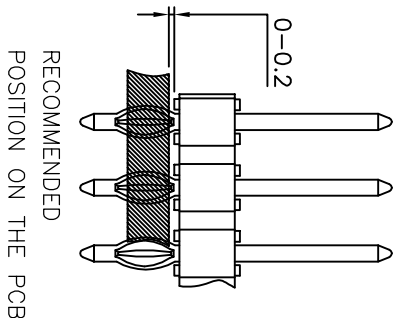


PRODUCT NUMBER  
93689-XXX-XXLF

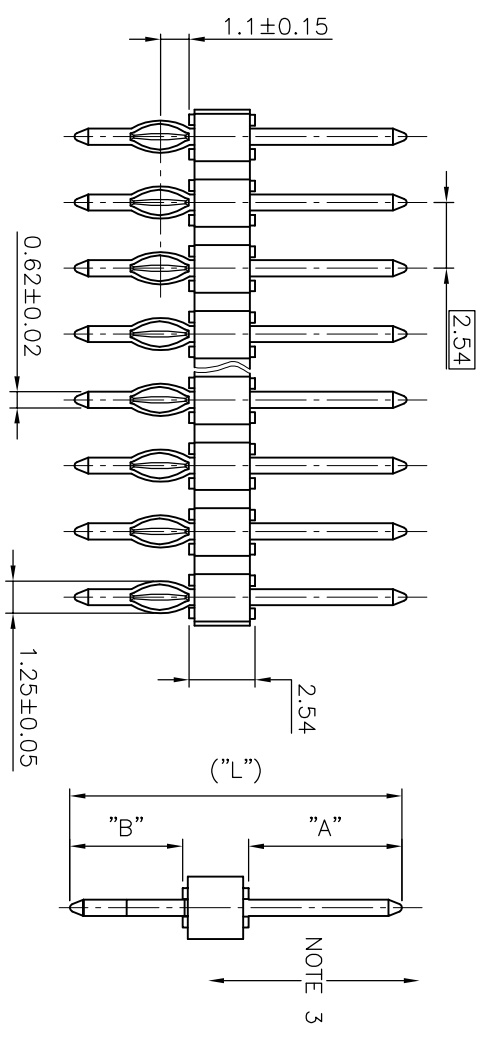
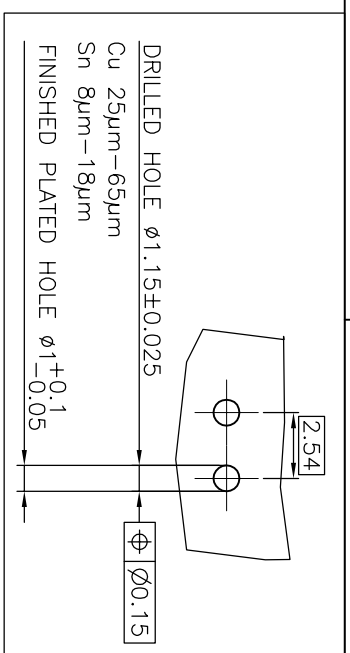
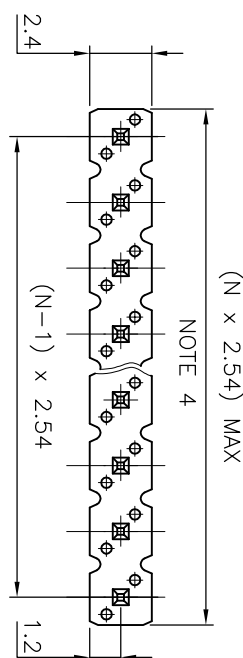
PLATING, SEE TABLE

LEAD FREE  
SEE NOTE 6 & 7  
TOTAL NB OF POS  
02 TO 36

PIN STYLE	DIM "A" REF	DIM "B" ±0.3	DIM "L" REF
01	7.50	4.50	14.78
02	10.14	4.50	17.40
03	5.68	4.50	12.83
04	14.80	4.75	22.15
05	8.30	4.50	15.44
06	6.80	3.60	12.90
07	17.50	3.60	23.85
08	12.20	3.00	17.74
09	9.26	3.20	14.96



RECOMMENDED POSITION ON THE PCB



NOTES:

- HOUSING MAT'L : HIGH TEMPERATURE THERMOPLASTIC. UL94V-0 COLOR: BLACK
- PIN MATERIAL : PHOSPHOR BRONZE
- 9N MIN RETENTION IN EITHER DIRECTION
- TO DETERMINE DIMENSIONS :  
N = NUMBER OF POSITIONS PER ROW  
EXAMPLE : 8 POS PER ROW, N x 2.54 = 20.32mm
- STANDARD PACKAGING IN POLYBAGS
- LEAD FREE CONNECTOR
- "LF" MEANS THAT THE PRODUCT IS ROHS COMPLIANT THEN MEETS EUROPEAN UNION DIRECTIVES AND OTHER COUNTRY REGULATION AS DESCRIBED IN GS-47-004

XXXXX-TXXLF	2µm MIN FULL MATTE TIN PIN TYP PLATED OVER 1.27µm NI MIN
XXXXX-9XXLF	0.2µm GOLD OVER 1.27µm NI MIN
XXXXX-5XXLF	0.25µm GOLD/GXT OVER 1.27µm NI MIN
XXXXX-4XXLF	3.05µm TIN OVER 1.27µm NI MIN
XXXXX-1XXLF	0.76µm GOLD/GXT OVER 1.27µm NI MIN
PLATING NUMBER	CONTACT AREA

mat'l. code	ISO 1302	tolerance	ISO 406	ISO 1101	projection	product family	BSTIK
lfr ecn no	dr date	tolerances unless otherwise specified	linear	xxx ±0.05	scale 5:1	title	HEADER P-FIT
R B-20781	AMA 15.04.28	angles	linear	xxx ±0.05	mm	product family	BSTIK
L B-16777	JOC 14.01.21	linear	xxx ±0.05	xxx ±0.05	mm	title	HEADER P-FIT
M B-18988	LWU 14.10.06	linear	xxx ±0.05	xxx ±0.05	mm	product family	BSTIK
N B-16427	LWU 14.11.04	linear	xxx ±0.05	xxx ±0.05	mm	title	HEADER P-FIT
P B-20744	LWU 15.04.23	linear	xxx ±0.05	xxx ±0.05	mm	product family	BSTIK
sheet	revision	linear	xxx ±0.05	xxx ±0.05	mm	title	HEADER P-FIT
index	sheet	linear	xxx ±0.05	xxx ±0.05	mm	product family	BSTIK

FCI

dwg no 93689

sheet 1 of 1

size A3

type CUSTOMER

Drawing