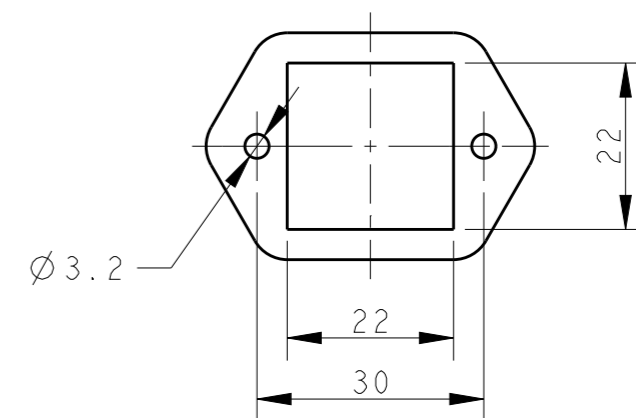
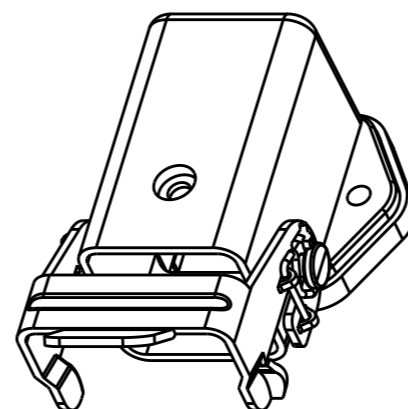
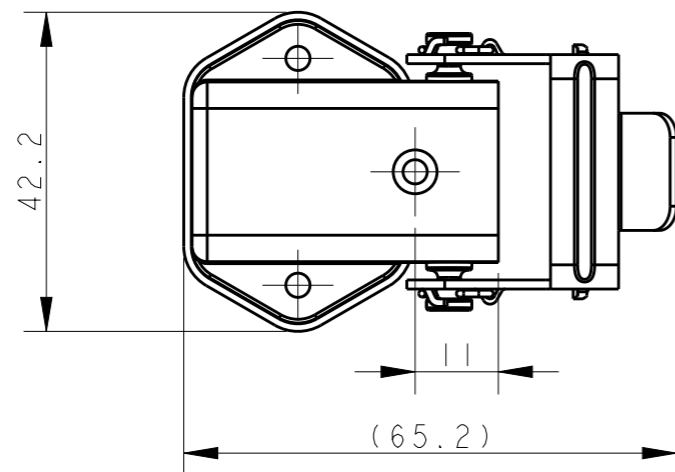
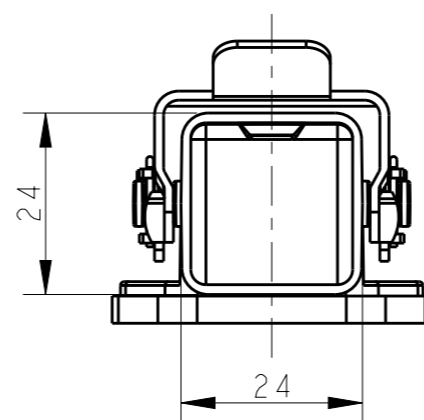
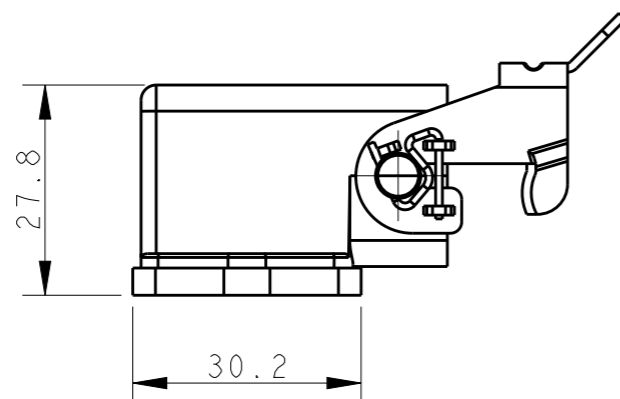
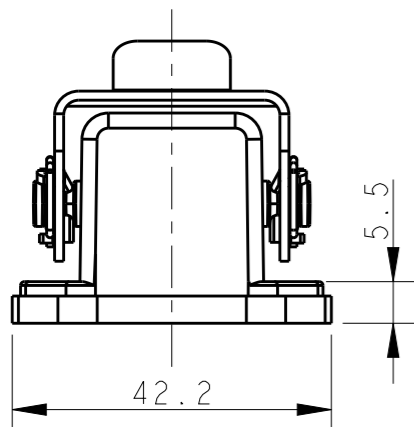


THIS DRAWING IS UNPUBLISHED. RELEASED FOR PUBLICATION 20
 © COPYRIGHT 20 BY - ALL RIGHTS RESERVED.

REVISIONS					
P	LTR	DESCRIPTION	DATE	DWN	APVD
	A	INITIAL RELEASE	04MAY2015	DL	CW

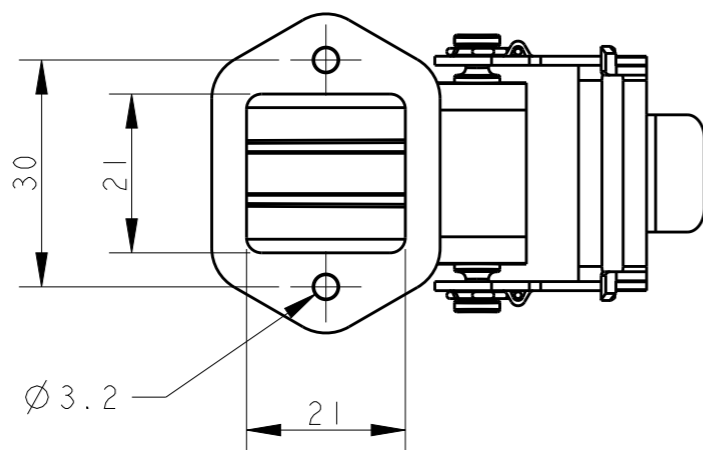


PANNEL CUT OUT



NOTES:
 1. TECHNICAL CHARACTERISTICS:
 BODY MATERIAL: DIE CAST ZINC ALLOY
 SURFACE TREATMENT: POWDER-COATED, GRAY
 OPERATION TEMPERATURE: -40-+125°C
 DEGREE OF PROTECTION: IP65 (MATED)

注释:
 1. 技术参数:
 主体材料: 锌合金
 表面处理: 粉末喷涂, 灰色
 工作温度: -40-+125°C
 防护等级: IP65(配合)



THIS DRAWING IS A CONTROLLED DOCUMENT.

DIMENSIONS: mm	TOLERANCES UNLESS OTHERWISE SPECIFIED: 0 PLC ±- 1 PLC ±- 2 PLC ±- 3 PLC ±- 4 PLC ±- ANGLES ±-
MATERIAL	FINISH

DWN	04MAY2015
DAVID LI	
CHK	04MAY2015
CHRIS WANG	
APVD	04MAY2015
XU XIANG	
PRODUCT SPEC	108-137012
APPLICATION SPEC	114-137012
WEIGHT	-
Customer Drawing	

T1549030000-000		H3A-MAGS	
ASSEMBLY PART NUMBER		ASSEMBLY PART DESCRIPTION	
STE TE Connectivity			
NAME H3A-MAGS			
SIZE	CAGE CODE	DRAWING NO	RESTRICTED TO
A3	-	©-T1549030000000	-
SCALE 1:1		SHEET 1 OF 1	REV A