

## LM3722/LM3723/LM3724 5-Pin Microprocessor Reset Circuits

Check for Samples: [LM3722](#), [LM3723](#), [LM3724](#)

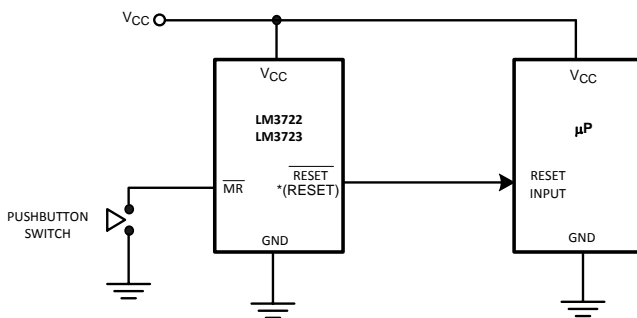
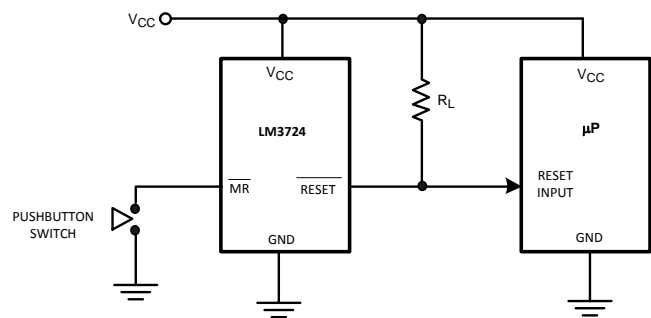
### FEATURES

- Precise Monitoring of 2.5V, 3.3V, and 5V Supply Voltages
- Fully Specified Over Temperature
  - Industrial:  $-40^{\circ}\text{C}$  to  $+85^{\circ}\text{C}$
  - Extended:  $-40^{\circ}\text{C}$  to  $+125^{\circ}\text{C}$
- 100 ms Minimum Power-On Reset pulse Width, 190 ms Typical:
  - Active-Low  $\overline{\text{RESET}}$  Output (LM3722)
  - Active-High  $\text{RESET}$  Output (LM3723)
  - Active-Low  $\overline{\text{RESET}}$  Open Drain Output (LM3724)
- Guaranteed  $\overline{\text{RESET}}$  Output Valid for  $V_{\text{CC}} \geq 1\text{V}$
- Low Supply Current,  $6\mu\text{A}$  Typical
- Power Supply Transient Immunity
- Compatible with MAX811/812 Applications

### APPLICATIONS

- Microprocessor Systems
- Computers
- Controllers
- Intelligent Instruments
- Portable/Battery-Powered Equipment

### Typical Application Circuits


**Figure 1. Typical Application Circuit**

**Figure 2. Typical Application Circuit with  $R_L$  Connection**

### DESCRIPTION

The LM3722/LM3723/LM3724 microprocessor supervisory circuits monitor the power supplies in microprocessor and digital systems. They provide a reset to the microprocessor during power-up, power-down, brown-out conditions, and manual reset.

The LM3722/LM3723/LM3724 asserts a reset signal whenever the supply decreases below the factory-programmed reset threshold. Reset will be asserted for at least 100ms even after  $V_{\text{CC}}$  rises above the reset threshold.

The LM3722 has an active-low  $\overline{\text{RESET}}$  push-pull output. The LM3723 has an active-high  $\text{RESET}$  push-pull output. The LM3724 has an active-low open-drain  $\overline{\text{RESET}}$  output.

Three standard reset voltage options are available, suitable for monitoring 5V, 3.3V, and 2.5V supply voltages. Additional reset voltages are also available; contact Texas Instruments for details.

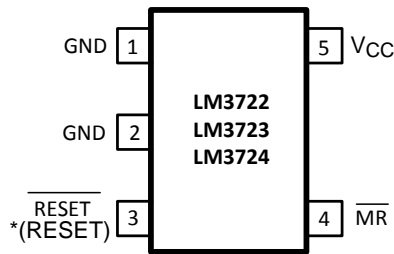
With a low supply current of only  $6\mu\text{A}$ , the LM3722/LM3723/LM3724 are ideal for use in portable equipment. The LM3722/LM3723/LM3724 are available in the 5-pin SOT-23 package.



Please be aware that an important notice concerning availability, standard warranty, and use in critical applications of Texas Instruments semiconductor products and disclaimers thereto appears at the end of this data sheet.

All trademarks are the property of their respective owners.

Connection Diagram



\*( ) are for LM3723

Figure 3. SOT-23-5

PIN DESCRIPTIONS

PIN	NAME	FUNCTION
1	GND	Ground reference
2	GND	Ground reference, device substrate, connect to ground.
3	$\overline{\text{RESET}}$ LM3722/LM3724	Active-low output. $\overline{\text{RESET}}$ remains low while $V_{CC}$ is below the reset threshold voltage, and for 190 ms after $V_{CC}$ rises above the reset threshold voltage.
	RESET LM3723	Active-high output. RESET remains high while $V_{CC}$ is below the reset threshold, and for 190 ms after $V_{CC}$ rises above the reset threshold.
4	$\overline{\text{MR}}$	Active-low input. Reset is asserted whenever this pin is pulled low and remains asserted for 190 ms after the $\overline{\text{MR}}$ pin goes high. May be left open.
5	$V_{CC}$	Supply Voltage (+5V, +3.3V, or +2.5V, nominal)

Block Diagram

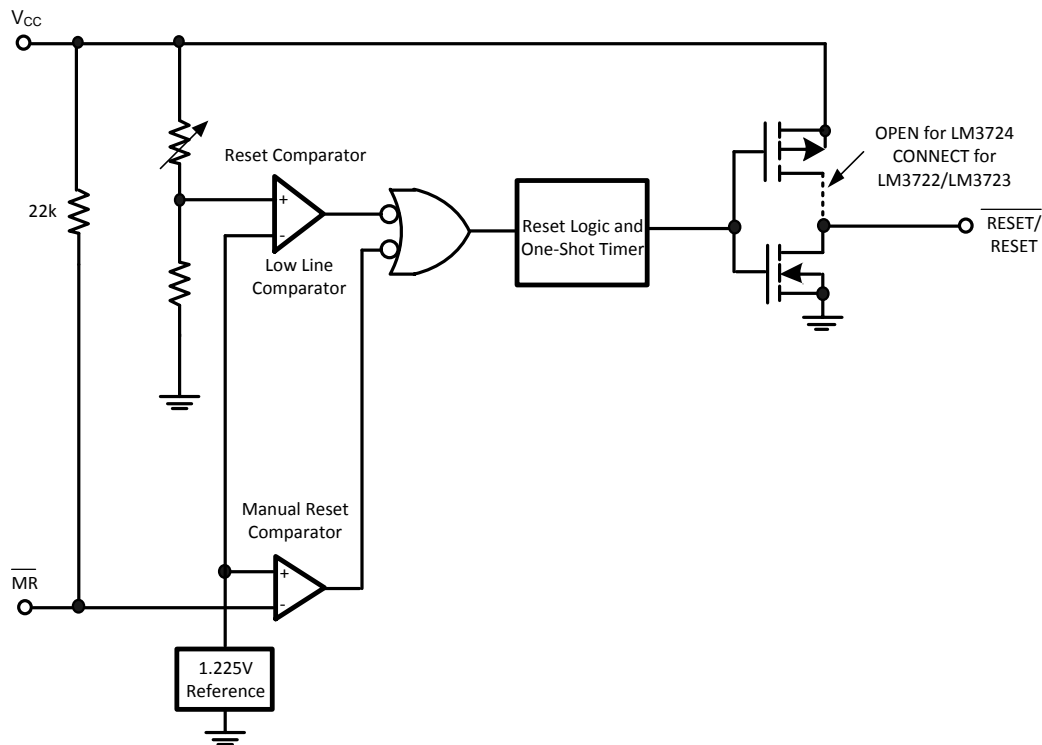


Figure 4. LM3722/LM3723/LM3724 Block Diagram



These devices have limited built-in ESD protection. The leads should be shorted together or the device placed in conductive foam during storage or handling to prevent electrostatic damage to the MOS gates.

### Absolute Maximum Ratings <sup>(1)(2)</sup>

$V_{CC}, \overline{MR}$	-0.3V to 6.0V
RESET, $\overline{RESET}$	-0.3V to ( $V_{CC} + 0.3V$ )
Input Current, $V_{CC}$ Pin	20mA
Output Current, RESET, $\overline{RESET}$ Pin	20mA
ESD Rating <sup>(3)</sup>	2kV
Continuous Power Dissipation ( $T_A = +70^\circ\text{C}$ )	
SOT-23 <sup>(4)</sup>	320mW
Operating Temperature Range	
Industrial:	-40°C to +85°C
Extended:	-40°C to +125°C
Maximum Junction Temperature	125°C
Storage Temperature Range	-65°C to +160°C
Lead Temperature (soldering, 10sec)	+300°C

- (1) Absolute Maximum Ratings are limits beyond which damage to the device may occur. Operating Ratings are conditions under which the device operates correctly. Operating ratings do not imply guaranteed performance limits. For guaranteed performance limits and associated test conditions, see the Electrical Characteristics.
- (2) If Military/Aerospace specified devices are required, please contact the Texas Instruments Sales Office/Distributors for availability and specifications.
- (3) The human body model is a 100pF capacitor discharged through a 1.5kΩ resistor into each pin.
- (4) At elevated temperatures, devices must be derated based on package thermal resistance. The device in the SOT-23-5 package must be derated at 4.5mW/°C at ambient temperatures above 70°C. The device has internal thermal protection.

### Electrical Characteristics

Typical values are at  $T_A = +25^\circ\text{C}$ . Limits with standard typeface are for  $T_A = +25^\circ\text{C}$ , and limits in boldface type apply for the operating temperature range (-40°C to +85°C) for LM372\_IM5X, and (-40°C to +125°C) for LM372\_EM5X, unless otherwise noted. <sup>(1)</sup>

Symbol	Parameter	Conditions	Min	Typ	Max	Units
$V_{CC}$	$V_{CC}$ Range		<b>1.0</b>		<b>5.5</b>	V
$I_{CC}$	Supply Current ( $I_{LOAD} = 0A$ )	LM372 _ -4.63 $V_{CC} = 5.5V$		8	<b>15</b>	μA
		LM372 _ -3.08 $V_{CC} = 3.6V$		7	<b>10</b>	
		LM372 _ -2.32 $V_{CC} = 2.5V$		6	<b>10</b>	
$V_{TH}$	Reset Threshold	LM372 _ -4.63	4.54 <b>4.50</b>	4.63	4.72 <b>4.75</b>	V
		LM372 _ -3.08	3.03 <b>3.00</b>	3.08	3.14 <b>3.15</b>	
		LM372 _ -2.32	2.27 <b>2.25</b>	2.32	2.37 <b>2.40</b>	
$V_{TH}$ Tempco	Reset Threshold Temperature Coefficient			30		ppm/°C
$t_{RD}$	$V_{CC}$ to Reset Delay <sup>(2)</sup>	$V_{CC} = V_{TH}$ to ( $V_{TH} - 100mV$ )		20		μs
$t_{RP}$	Reset Active Timeout Period		<b>100</b>	190	<b>560</b>	ms
$t_{MR}$	$\overline{MR}$ Minimum Pulse Width		<b>10</b>			μs
$t_{MD}$	$\overline{MR}$ to Reset Propagation Delay			2		μs
	$\overline{MR}$ Glitch Immunity <sup>(3)</sup>			100		ns

- (1) Production testing done at  $T_A = +25^\circ\text{C}$ . Limits over the operating temperature range are guaranteed through correlation using Statistical Quality Control (SQC) methods.
- (2)  $\overline{RESET}$  Output for LM3722 and LM3724, RESET output for LM3723.
- (3) Glitches of 100 ns or less typically will not generate a reset pulse.

## Electrical Characteristics (continued)

Typical values are at  $T_A = +25^\circ\text{C}$ . Limits with standard typeface are for  $T_A = +25^\circ\text{C}$ , and limits in boldface type apply for the operating temperature range ( $-40^\circ\text{C}$  to  $+85^\circ\text{C}$ ) for LM372\_IM5X, and ( $-40^\circ\text{C}$  to  $+125^\circ\text{C}$ ) for LM372\_EM5X, unless otherwise noted. <sup>(1)</sup>

Symbol	Parameter	Conditions	Min	Typ	Max	Units
$V_{IH}$	$\overline{\text{MR}}$ Input Threshold	$V_{CC} > V_{TH(\text{MAX})}$ , LM372_ -4.63	<b>2.3</b>			V
$V_{IL}$					<b>0.8</b>	
$V_{IH}$		$V_{CC} > V_{TH(\text{MAX})}$ , LM372_ -3.08, LM372_ -2.32	<b>0.7 <math>V_{CC}</math></b>			
$V_{IL}$					<b>0.25 <math>V_{CC}</math></b>	
	$\overline{\text{MR}}$ Pull-Up Resistance			22		k $\Omega$
$V_{OL}$	$\overline{\text{RESET}}$ Output Voltage Low (LM3722)	$V_{CC} = V_{TH \text{ min}}$ , $I_{\text{SINK}} = 1.2\text{mA}$ , (LM3722-2.32/3.08)			<b>0.3</b>	V
		$V_{CC} = V_{TH \text{ min}}$ , $I_{\text{SINK}} = 3.2\text{mA}$ , (LM3722-4.63)			<b>0.4</b>	
		$V_{CC} > 1\text{V}$ , $I_{\text{SINK}} = 50\mu\text{A}$			<b>0.3</b>	
$V_{OH}$	$\overline{\text{RESET}}$ Output Voltage High (LM3722)	$V_{CC} > V_{TH \text{ max}}$ , $I_{\text{SOURCE}} = 500\mu\text{A}$ , (LM3722-2.32/3.08)	<b>0.8<math>V_{CC}</math></b>			V
		$V_{CC} > V_{TH \text{ max}}$ , $I_{\text{SOURCE}} = 800\mu\text{A}$ , (LM3722-4.63)	<b><math>V_{CC}-1.5</math></b>			
$V_{OL}$	RESET Output Voltage Low (LM3723)	$V_{CC} = V_{TH \text{ max}}$ , $I_{\text{SINK}} = 1.2\text{mA}$ (LM3723 -2.32/3.08)			<b>0.3</b>	V
		$V_{CC} = V_{TH \text{ max}}$ , $I_{\text{SINK}} = 3.2\text{mA}$ (LM3723 -4.63)			<b>0.4</b>	
$V_{OH}$	RESET Output Voltage High (LM3723)	$1.8\text{V} < V_{CC} < V_{TH \text{ min}}$ , $I_{\text{SOURCE}} = 150\mu\text{A}$	<b>0.8<math>V_{CC}</math></b>			V
$V_{OL}$	$\overline{\text{RESET}}$ Output Voltage Low (LM3724)	$V_{CC} = V_{TH \text{ min}}$ , $I_{\text{SINK}} = 1.2 \text{ mA}$ (LM3724 -2.32/3.08)			<b>0.3</b>	V
		$V_{CC} = V_{TH \text{ min}}$ , $I_{\text{SINK}} = 3.2 \text{ mA}$ (LM3724 -4.63)			<b>0.4</b>	
		$V_{CC} > 1\text{V}$ , $I_{\text{SINK}} = 50\mu\text{A}$			<b>0.3</b>	
$I_{IN}$	$\overline{\text{RESET}}$ Output Leakage Current (LM3724)	$V_{CC} > V_{TH}$ , $\overline{\text{RESET}} = 5.5\text{V}$			<b>0.5</b>	$\mu\text{A}$

Typical Performance Characteristics

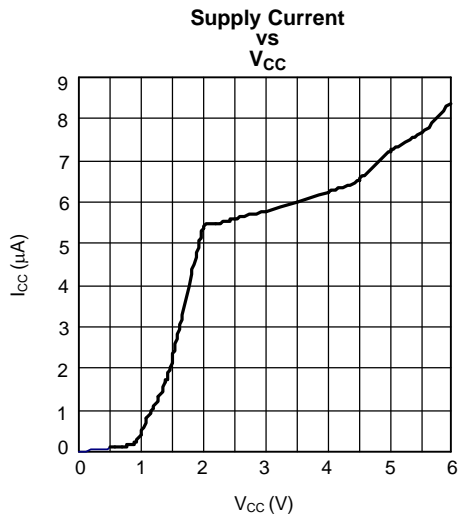


Figure 5.

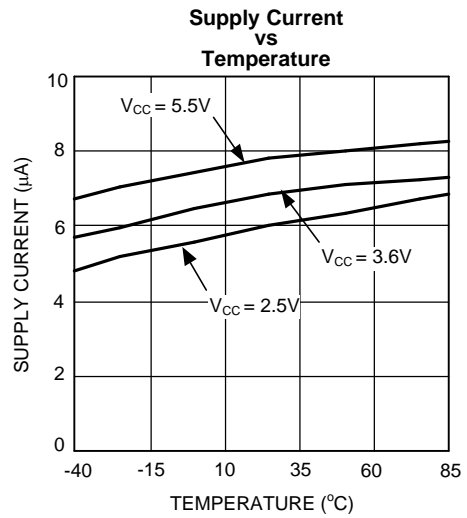


Figure 6.

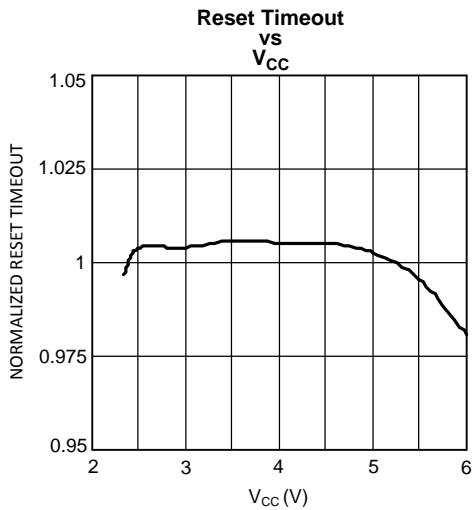


Figure 7.

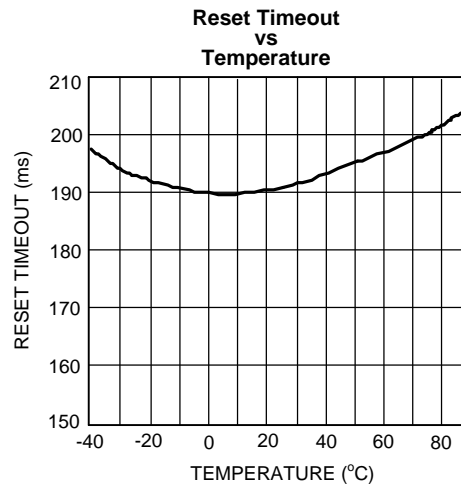


Figure 8.

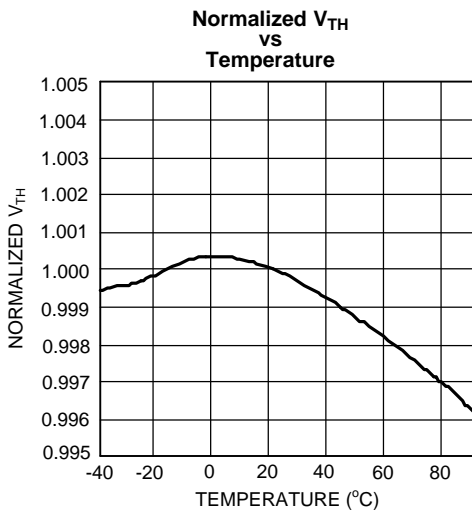


Figure 9.

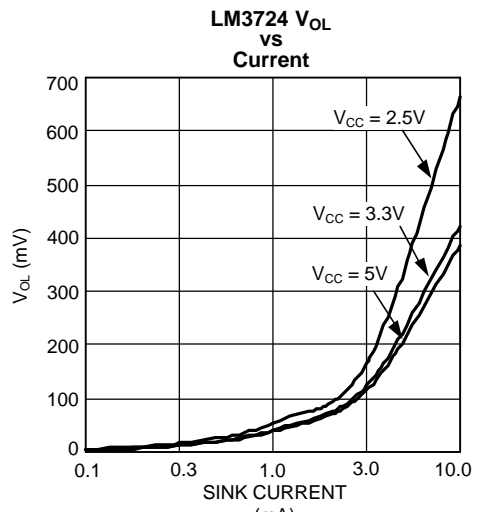


Figure 10.

### Typical Performance Characteristics (continued)

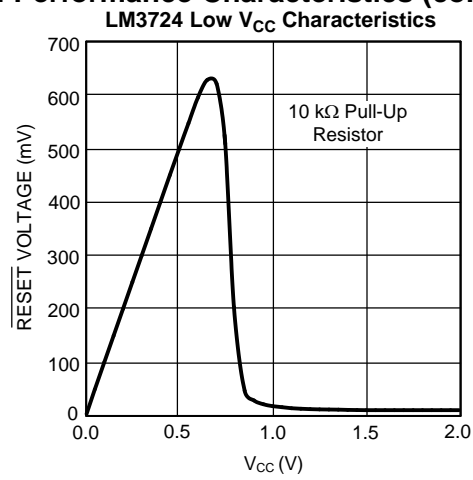


Figure 11.

### Timing Diagram

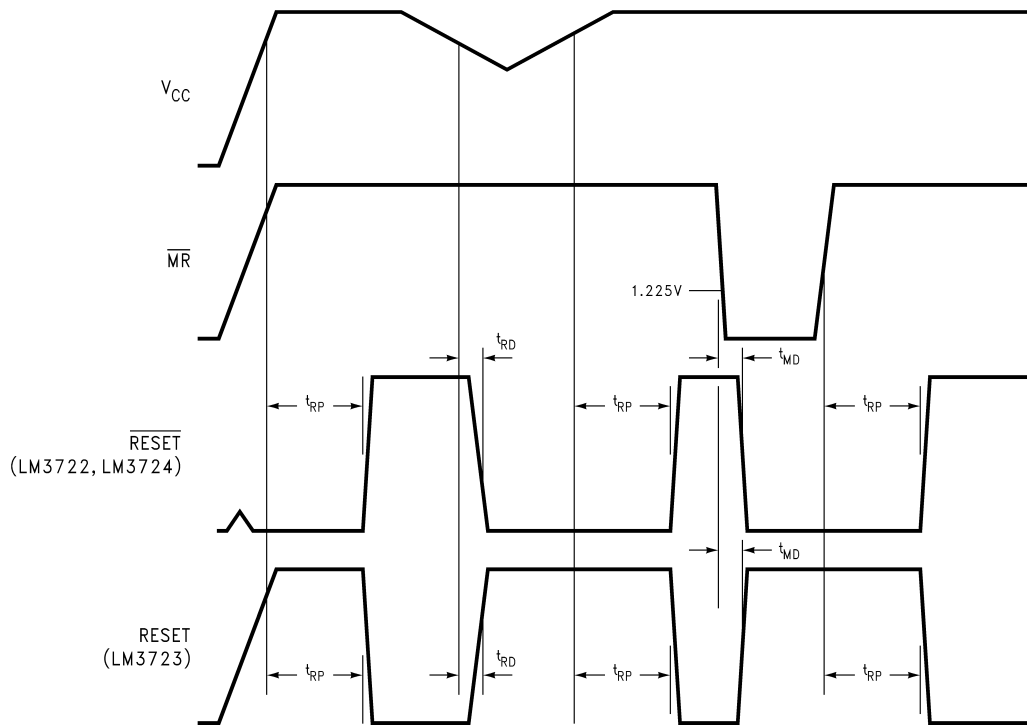


Figure 12. Timing Diagram

## Circuit Information

### RESET OUTPUT

The reset input of a  $\mu P$  initializes the device into a known state. The LM3722/LM3723/LM3724 microprocessor voltage monitoring circuits assert a forced reset output to prevent code execution errors during power-up, power-down, and brownout conditions.

$\overline{RESET}$  is guaranteed valid for  $V_{CC} \geq 1V$ . Once  $V_{CC}$  exceeds the reset threshold, an internal timer maintains the output for the reset timeout period. After this interval, reset goes high and the microprocessor initializes itself into a known state. The LM3722 and LM3724 offer an active-low  $\overline{RESET}$ ; the LM3723 offers an active-high RESET.

As  $V_{CC}$  drops below the reset threshold (such as during a brownout), the reset activates (see the [NEGATIVE-GOING  \$V\_{CC}\$  TRANSIENTS](#) section). When  $V_{CC}$  again rises above the reset threshold, the internal timer starts. Reset holds until  $V_{CC}$  exceeds the reset threshold for longer than the reset timeout period. After this time, reset releases.

Additionally, the Manual Reset input ( $\overline{MR}$ ) will initiate a forced reset. See the [MANUAL RESET INPUT \( \$\overline{MR}\$ \)](#) section.

The LM3722/LM3723/LM3724 reset outputs ignore short duration glitches on  $V_{CC}$  and  $\overline{MR}$ . See the [Applications Information](#) section for details.

### RESET THRESHOLD

The LM3722/LM3723/LM3724 are available with reset voltages of 4.63V, 3.08V, and 2.32V which are suitable for monitoring 5.0V, 3.3V, and 2.5V supplies respectively. Other reset thresholds in the 2.20V to 5.0V range, in 10 mV steps, are available; contact Texas Instruments for details.

## MANUAL RESET INPUT ( $\overline{\text{MR}}$ )

Many  $\mu\text{P}$ -based products require a manual reset capability, allowing the operator to initiate a reset. The  $\overline{\text{MR}}$  input is fully debounced and provides an internal 22 k $\Omega$  pull-up. When the MR input is pulled below  $V_{\text{IL}}$  (0.25 $V_{\text{CC}}$ ) for more than 100 ns,  $\overline{\text{reset}}$  is asserted after a typical delay of 2  $\mu\text{s}$ . Reset remains active as long as MR is held low, and releases after  $\overline{\text{MR}}$  rises above  $V_{\text{IH}}$  and the reset timeout period expires. Use  $\overline{\text{MR}}$  with digital logic to assert reset or to daisy chain supervisory circuits.

## APPLICATIONS INFORMATION

### BENEFITS OF PRECISION RESET THRESHOLDS

A microprocessor supply supervisor must provide a reset output within a predictable range of the supply voltage. A common threshold range is between 5% and 10% below the nominal supply voltage. The 4.63V, 3.08V and 2.32V options of the LM3722/LM3723/LM3724 use highly accurate circuitry to ensure that the reset threshold occurs only within this range (for 5.0V, 3.3V and 2.5V supplies). Table 1 shows how the standard reset thresholds apply to 5.0V, 3.3V, and 2.5V nominal supply voltages.

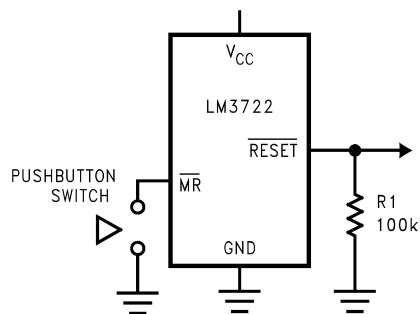
**Table 1. Monitored Tolerance Table**

Reset Threshold	Supply Voltage		
	2.5V	3.3V	5.0V
4.63 $\pm$ %			90.8-94.4%
3.08 $\pm$ %		91.8-95.2%	
2.32 $\pm$ %	90.8-94.8%		

### ENSURING A VALID RESET OUTPUT DOWN TO $V_{\text{CC}} = 0\text{V}$

When  $V_{\text{CC}}$  falls below 1V, the LM3722  $\overline{\text{RESET}}$  output is unable to sink the rated current. A high-impedance CMOS logic input connected to  $\overline{\text{RESET}}$  can therefore drift to undetermined voltages. To prevent this situation, a 100k $\Omega$  resistor should be connected from the  $\overline{\text{RESET}}$  output to ground, as shown in Figure 13.

A 100k $\Omega$  pull-up resistor to  $V_{\text{CC}}$  is also recommended for the LM3723, if RESET is required to remain valid for  $V_{\text{CC}} < 1\text{V}$ .



**Figure 13. Circuit for  $\overline{\text{RESET}}$  Valid from  $V_{\text{CC}} = 0\text{V}$**

### OPEN DRAIN OUTPUT (LM3724)

An open drain output allows easy paralleling of multiple microprocessor reset circuits without requiring additional logic gates. Open drain outputs also allow interfacing devices of differing logic levels or families, since the output pull-up resistor may be connected to any supply voltage up to 5.5V, regardless of LM3724  $V_{\text{CC}}$ .

The pull up resistor is calculated so that maximum current flow into  $\overline{\text{RESET}}$  is less than 10 mA when activated. The resistor must be small enough so that the leakage current of all connected devices does not create an excessive voltage drop when the output is not activated. A resistor value of 100 k $\Omega$  will generally suffice.



## NEGATIVE-GOING $V_{CC}$ TRANSIENTS

The LM3722/LM3723/LM3724 are relatively immune to short negative-going transients or glitches on  $V_{CC}$ . Figure 14 shows the maximum pulse width a negative-going  $V_{CC}$  transient can have without causing a reset pulse. In general, as the magnitude of the transient increases, going further below the reset threshold, the maximum allowable pulse width decreases. Typically, a  $V_{CC}$  transient that goes 125 mV below the reset threshold and lasts 40  $\mu$ s or less will not cause a reset pulse. A 0.1  $\mu$ F bypass capacitor mounted as close as possible to the  $V_{CC}$  pin will provide additional transient rejection.

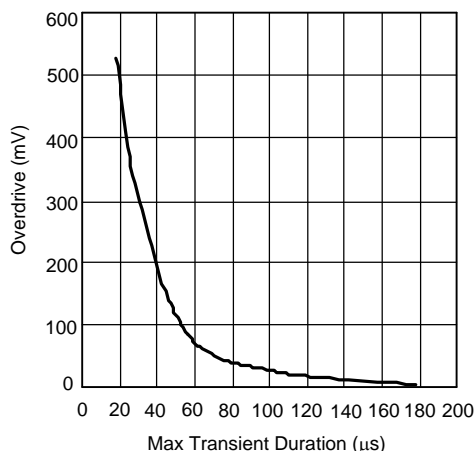


Figure 14. Maximum Transient Duration without Causing a Reset Pulse vs. Reset Comparator Overdrive

## INTERFACING TO $\mu$ PS WITH BIDIRECTIONAL RESET PINS

Microprocessors with bidirectional reset pins, such as the Motorola 68HC11 series, can be connected to the LM3722 even when the microprocessor reset pin is in the opposite state, connect a 4.7k $\Omega$  resistor between the LM3722 RESET output and the  $\mu$ P reset pin, as shown in Figure 15. Buffer the LM3722 RESET output to other system components.

### Typical Application Circuits

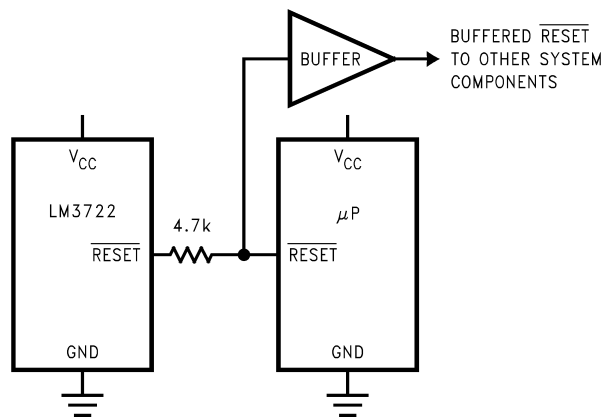


Figure 15. Interfacing to Microprocessors with Bidirectional Reset I/O

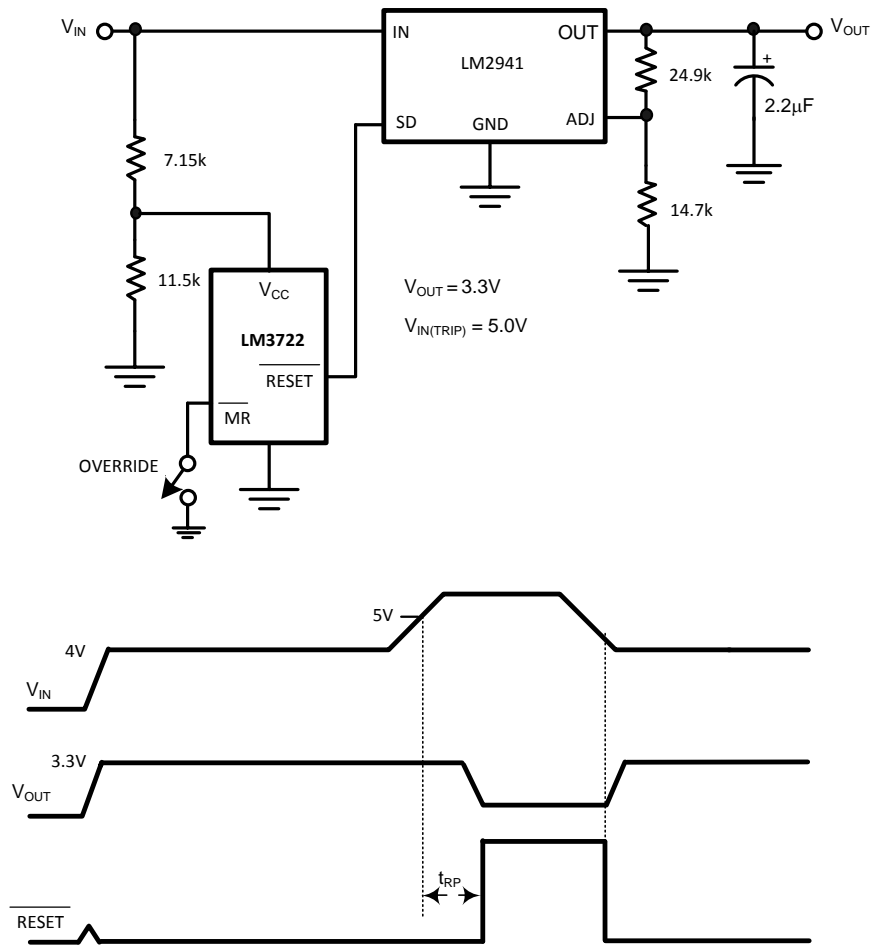


Figure 16. Regulator/Switch with Long-Term Overvoltage Lockout Prevents Overdissipation in Linear Regulator

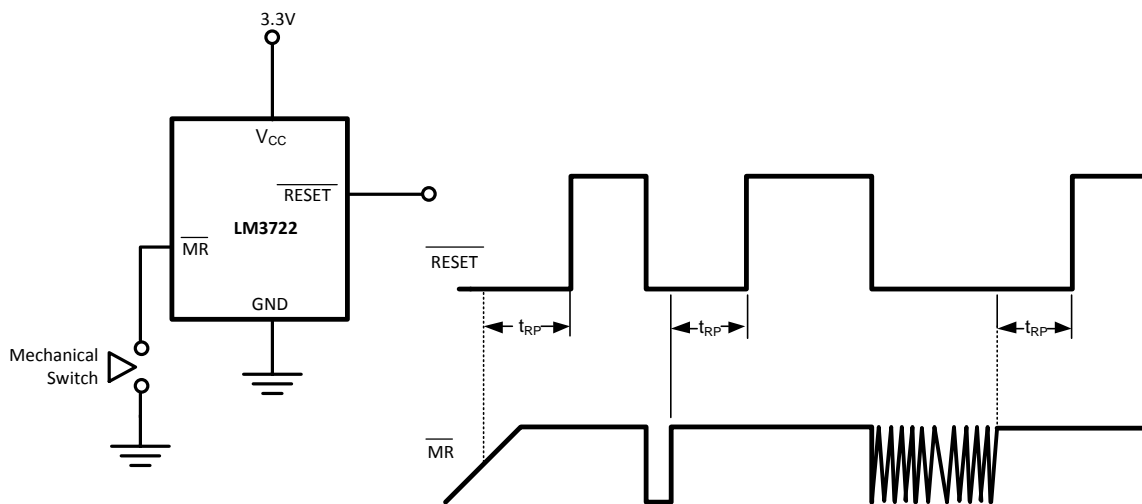


Figure 17. LM3722 Switch Debouncer

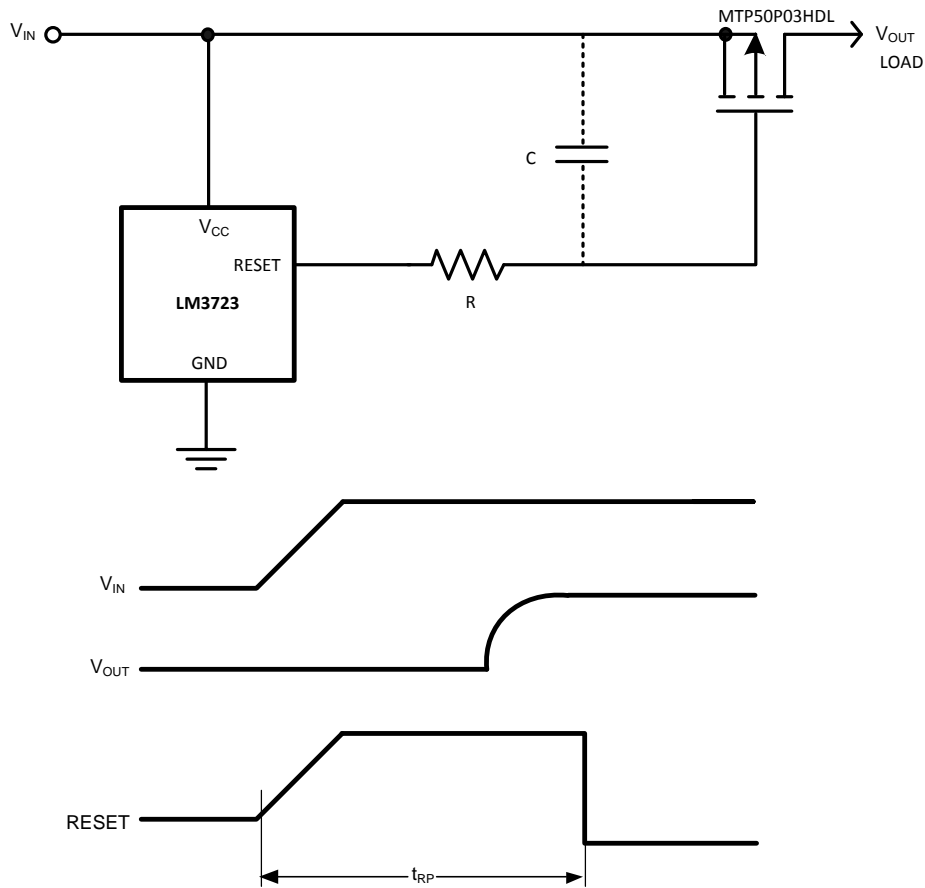


Figure 18. LM3723 Power-On Delay

## REVISION HISTORY

Changes from Revision D (March 2013) to Revision E	Page
• Changed layout of National Data Sheet to TI format .....	11

**PACKAGING INFORMATION**

Orderable Device	Status (1)	Package Type	Package Drawing	Pins	Package Qty	Eco Plan (2)	Lead finish/ Ball material (6)	MSL Peak Temp (3)	Op Temp (°C)	Device Marking (4/5)	Samples
LM3724EM5-3.08/NOPB	ACTIVE	SOT-23	DBV	5	1000	RoHS & Green	SN	Level-1-260C-UNLIM	-40 to 125	R63B	<a href="#">Samples</a>
LM3724EM5-4.63/NOPB	ACTIVE	SOT-23	DBV	5	1000	RoHS & Green	SN	Level-1-260C-UNLIM	-40 to 125	R62B	<a href="#">Samples</a>
LM3724IM5-2.32/NOPB	ACTIVE	SOT-23	DBV	5	1000	RoHS & Green	SN	Level-1-260C-UNLIM	-40 to 85	R50B	<a href="#">Samples</a>
LM3724IM5-3.08/NOPB	ACTIVE	SOT-23	DBV	5	1000	RoHS & Green	SN	Level-1-260C-UNLIM	-40 to 85	R53B	<a href="#">Samples</a>
LM3724IM5-4.63/NOPB	ACTIVE	SOT-23	DBV	5	1000	RoHS & Green	SN	Level-1-260C-UNLIM	-40 to 85	R55B	<a href="#">Samples</a>
LM3724IM5X-3.08/NOPB	ACTIVE	SOT-23	DBV	5	3000	RoHS & Green	SN	Level-1-260C-UNLIM	-40 to 85	R53B	<a href="#">Samples</a>

(1) The marketing status values are defined as follows:

**ACTIVE:** Product device recommended for new designs.

**LIFEBUY:** TI has announced that the device will be discontinued, and a lifetime-buy period is in effect.

**NRND:** Not recommended for new designs. Device is in production to support existing customers, but TI does not recommend using this part in a new design.

**PREVIEW:** Device has been announced but is not in production. Samples may or may not be available.

**OBSOLETE:** TI has discontinued the production of the device.

(2) **RoHS:** TI defines "RoHS" to mean semiconductor products that are compliant with the current EU RoHS requirements for all 10 RoHS substances, including the requirement that RoHS substance do not exceed 0.1% by weight in homogeneous materials. Where designed to be soldered at high temperatures, "RoHS" products are suitable for use in specified lead-free processes. TI may reference these types of products as "Pb-Free".

**RoHS Exempt:** TI defines "RoHS Exempt" to mean products that contain lead but are compliant with EU RoHS pursuant to a specific EU RoHS exemption.

**Green:** TI defines "Green" to mean the content of Chlorine (Cl) and Bromine (Br) based flame retardants meet JS709B low halogen requirements of <=1000ppm threshold. Antimony trioxide based flame retardants must also meet the <=1000ppm threshold requirement.

(3) MSL, Peak Temp. - The Moisture Sensitivity Level rating according to the JEDEC industry standard classifications, and peak solder temperature.

(4) There may be additional marking, which relates to the logo, the lot trace code information, or the environmental category on the device.

(5) Multiple Device Markings will be inside parentheses. Only one Device Marking contained in parentheses and separated by a "~" will appear on a device. If a line is indented then it is a continuation of the previous line and the two combined represent the entire Device Marking for that device.

(6) Lead finish/Ball material - Orderable Devices may have multiple material finish options. Finish options are separated by a vertical ruled line. Lead finish/Ball material values may wrap to two lines if the finish value exceeds the maximum column width.

**Important Information and Disclaimer:** The information provided on this page represents TI's knowledge and belief as of the date that it is provided. TI bases its knowledge and belief on information provided by third parties, and makes no representation or warranty as to the accuracy of such information. Efforts are underway to better integrate information from third parties. TI has taken and continues to take reasonable steps to provide representative and accurate information but may not have conducted destructive testing or chemical analysis on incoming materials and chemicals. TI and TI suppliers consider certain information to be proprietary, and thus CAS numbers and other limited information may not be available for release.

In no event shall TI's liability arising out of such information exceed the total purchase price of the TI part(s) at issue in this document sold by TI to Customer on an annual basis.

**TAPE AND REEL INFORMATION**

**QUADRANT ASSIGNMENTS FOR PIN 1 ORIENTATION IN TAPE**


\*All dimensions are nominal

Device	Package Type	Package Drawing	Pins	SPQ	Reel Diameter (mm)	Reel Width W1 (mm)	A0 (mm)	B0 (mm)	K0 (mm)	P1 (mm)	W (mm)	Pin1 Quadrant
LM3724EM5-3.08/NOPB	SOT-23	DBV	5	1000	178.0	8.4	3.2	3.2	1.4	4.0	8.0	Q3
LM3724EM5-4.63/NOPB	SOT-23	DBV	5	1000	178.0	8.4	3.2	3.2	1.4	4.0	8.0	Q3
LM3724IM5-2.32/NOPB	SOT-23	DBV	5	1000	178.0	8.4	3.2	3.2	1.4	4.0	8.0	Q3
LM3724IM5-3.08/NOPB	SOT-23	DBV	5	1000	178.0	8.4	3.2	3.2	1.4	4.0	8.0	Q3
LM3724IM5-4.63/NOPB	SOT-23	DBV	5	1000	178.0	8.4	3.2	3.2	1.4	4.0	8.0	Q3
LM3724IM5X-3.08/NOPB	SOT-23	DBV	5	3000	178.0	8.4	3.2	3.2	1.4	4.0	8.0	Q3

**TAPE AND REEL BOX DIMENSIONS**


\*All dimensions are nominal

Device	Package Type	Package Drawing	Pins	SPQ	Length (mm)	Width (mm)	Height (mm)
LM3724EM5-3.08/NOPB	SOT-23	DBV	5	1000	210.0	185.0	35.0
LM3724EM5-4.63/NOPB	SOT-23	DBV	5	1000	210.0	185.0	35.0
LM3724IM5-2.32/NOPB	SOT-23	DBV	5	1000	210.0	185.0	35.0
LM3724IM5-3.08/NOPB	SOT-23	DBV	5	1000	210.0	185.0	35.0
LM3724IM5-4.63/NOPB	SOT-23	DBV	5	1000	210.0	185.0	35.0
LM3724IM5X-3.08/NOPB	SOT-23	DBV	5	3000	210.0	185.0	35.0



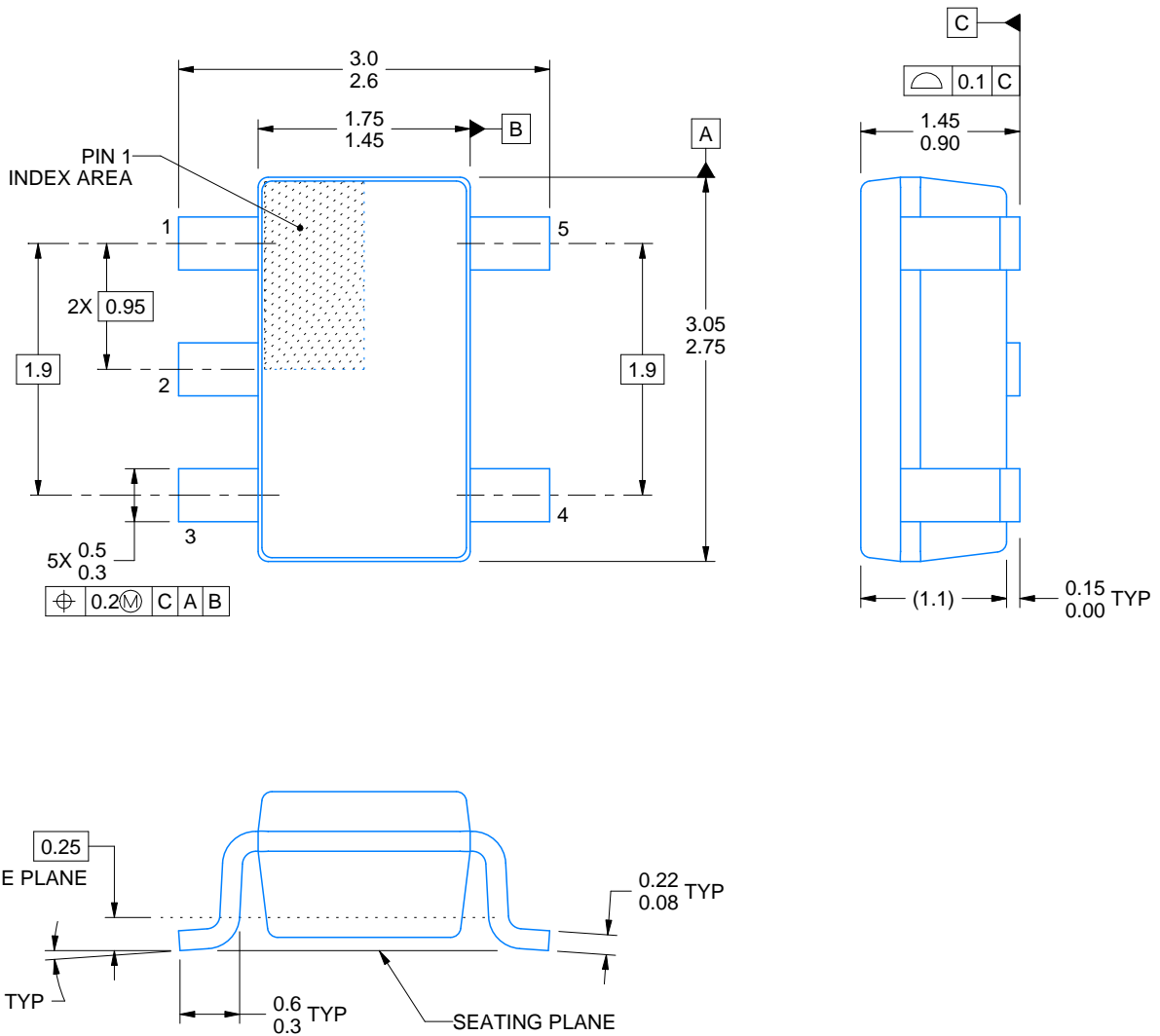
DBV0005A



# PACKAGE OUTLINE

SOT-23 - 1.45 mm max height

SMALL OUTLINE TRANSISTOR



4214839/E 09/2019

NOTES:

1. All linear dimensions are in millimeters. Any dimensions in parenthesis are for reference only. Dimensioning and tolerancing per ASME Y14.5M.
2. This drawing is subject to change without notice.
3. Reference JEDEC MO-178.
4. Body dimensions do not include mold flash, protrusions, or gate burrs. Mold flash, protrusions, or gate burrs shall not exceed 0.15 mm per side.

# EXAMPLE BOARD LAYOUT

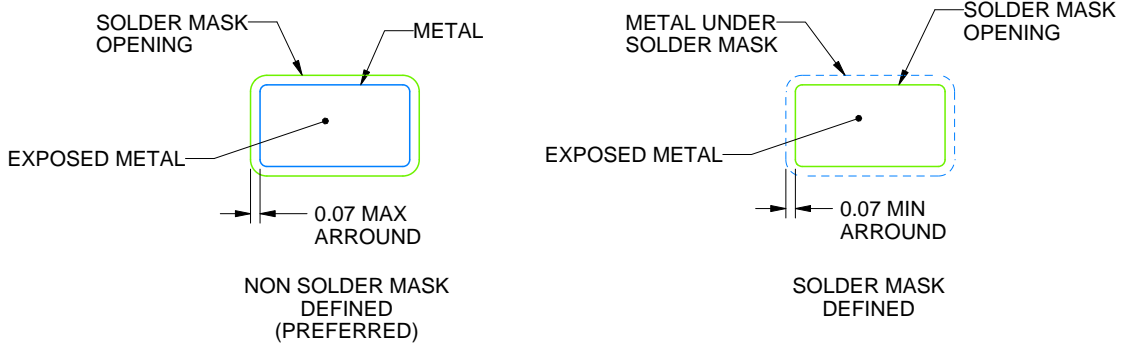
DBV0005A

SOT-23 - 1.45 mm max height

SMALL OUTLINE TRANSISTOR



LAND PATTERN EXAMPLE  
EXPOSED METAL SHOWN  
SCALE:15X



SOLDER MASK DETAILS

4214839/E 09/2019

NOTES: (continued)

- 5. Publication IPC-7351 may have alternate designs.
- 6. Solder mask tolerances between and around signal pads can vary based on board fabrication site.

# EXAMPLE STENCIL DESIGN

DBV0005A

SOT-23 - 1.45 mm max height

SMALL OUTLINE TRANSISTOR



SOLDER PASTE EXAMPLE  
BASED ON 0.125 mm THICK STENCIL  
SCALE:15X

4214839/E 09/2019

NOTES: (continued)

7. Laser cutting apertures with trapezoidal walls and rounded corners may offer better paste release. IPC-7525 may have alternate design recommendations.
8. Board assembly site may have different recommendations for stencil design.

## IMPORTANT NOTICE AND DISCLAIMER

TI PROVIDES TECHNICAL AND RELIABILITY DATA (INCLUDING DATASHEETS), DESIGN RESOURCES (INCLUDING REFERENCE DESIGNS), APPLICATION OR OTHER DESIGN ADVICE, WEB TOOLS, SAFETY INFORMATION, AND OTHER RESOURCES "AS IS" AND WITH ALL FAULTS, AND DISCLAIMS ALL WARRANTIES, EXPRESS AND IMPLIED, INCLUDING WITHOUT LIMITATION ANY IMPLIED WARRANTIES OF MERCHANTABILITY, FITNESS FOR A PARTICULAR PURPOSE OR NON-INFRINGEMENT OF THIRD PARTY INTELLECTUAL PROPERTY RIGHTS.

These resources are intended for skilled developers designing with TI products. You are solely responsible for (1) selecting the appropriate TI products for your application, (2) designing, validating and testing your application, and (3) ensuring your application meets applicable standards, and any other safety, security, or other requirements. These resources are subject to change without notice. TI grants you permission to use these resources only for development of an application that uses the TI products described in the resource. Other reproduction and display of these resources is prohibited. No license is granted to any other TI intellectual property right or to any third party intellectual property right. TI disclaims responsibility for, and you will fully indemnify TI and its representatives against, any claims, damages, costs, losses, and liabilities arising out of your use of these resources.

TI's products are provided subject to TI's Terms of Sale ([www.ti.com/legal/termsofsale.html](http://www.ti.com/legal/termsofsale.html)) or other applicable terms available either on [ti.com](http://ti.com) or provided in conjunction with such TI products. TI's provision of these resources does not expand or otherwise alter TI's applicable warranties or warranty disclaimers for TI products.

Mailing Address: Texas Instruments, Post Office Box 655303, Dallas, Texas 75265  
Copyright © 2020, Texas Instruments Incorporated